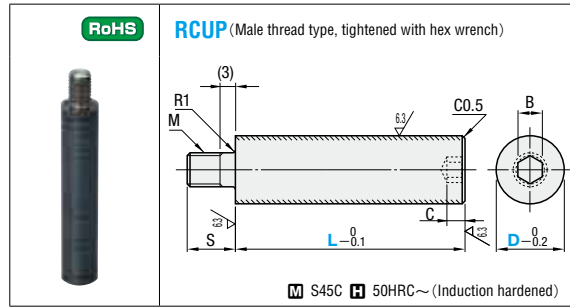


# CUSHION PINS



M×P	S	B	C	Catalog No.		Base unit price 1~9 pieces
				Type	L 10mm increments	
10×1.5	15	8	5	RCUP	16	50~100 110~150 160~200
					20	50~100 110~150 160~200 210~250
						25
32	50~100 110~150 160~200 210~250					

The RCUP male thread diameter is one rank larger than MCUP.

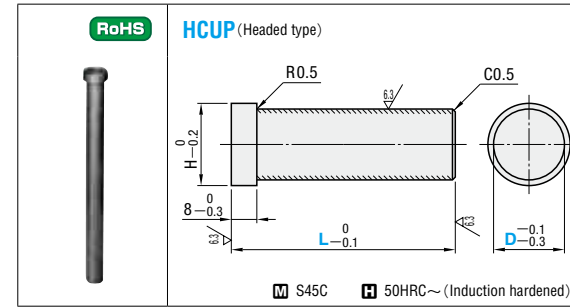
**Order** Catalog No. — L  
RCUP 20 — 200

**Days to Ship** Quotation

**Price** Quotation

**Alterations** Catalog No. — L(LC) — (LKC)  
RCUP 20 — LC195 — LKC

Alteration	Code	Spec.	1Code
	LC	Full length change 35 ≤ LC < L 1mm increments	Quotation
	LKC	Full length tolerance change L tolerance $0 \rightarrow -0.04$ LC → 0.1mm increments (When combined with LC, LC can be specified in 0.1mm increments)	



H	Catalog No.		Base unit price 1~9 pieces
	Type	L 10mm increments	
15	HCUP	10	50~100 110~150 160~200
		13	50~100 110~150 160~200 210~250
			16
20	50~100 110~150 160~200 210~250		
	25	50~100 110~150 160~200 210~250	
		30	50~100 110~150 160~200 210~250
37			50~100 110~150 160~200 210~250

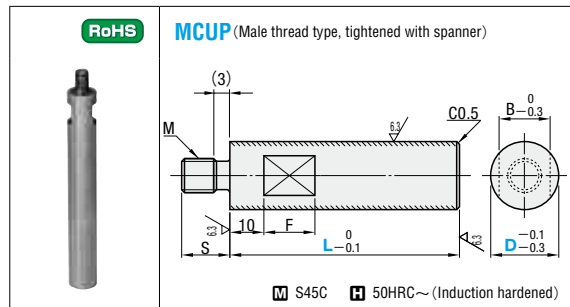
**Order** Catalog No. — L  
HCUP 13 — 150

**Days to Ship** Quotation

**Price** Quotation

**Alterations** Catalog No. — L(LC) — (LKC·MC·NC)  
HCUP 13 — LC155 — LKC

Alteration	Code	Spec.	1Code															
	LC	Full length change 35 ≤ LC < L 1mm increments	Quotation															
	LKC	Full length tolerance change L tolerance $0 \rightarrow -0.04$ LC → 0.1mm increments (When combined with LC, LC can be specified in 0.1mm increments)																
	MC	Tapping <table border="1"> <tr><th>D</th><th>M</th><th>ℓ</th></tr> <tr><td>10</td><td>6</td><td></td></tr> <tr><td>13-16</td><td>8</td><td>2×M</td></tr> <tr><td>20</td><td>10</td><td></td></tr> <tr><td>25-32</td><td>12</td><td></td></tr> </table>	D	M	ℓ	10	6		13-16	8	2×M	20	10		25-32	12		Quotation
D	M	ℓ																
10	6																	
13-16	8	2×M																
20	10																	
25-32	12																	
	NC	Tapping <table border="1"> <tr><th>D</th><th>M</th><th>ℓ</th></tr> <tr><td>10</td><td>6</td><td></td></tr> <tr><td>13-16</td><td>8</td><td>2×M</td></tr> <tr><td>20</td><td>10</td><td></td></tr> <tr><td>25-32</td><td>12</td><td></td></tr> </table>	D	M	ℓ	10	6		13-16	8	2×M	20	10		25-32	12		
D	M	ℓ																
10	6																	
13-16	8	2×M																
20	10																	
25-32	12																	



M×P	S	B	F	Catalog No.		Base unit price 1~9 pieces
				Type	L 10mm increments	
8×1.25	12	13	16	MCUP	16	50~100 110~150 160~200 210~250
					20	50~100 110~150 160~200 210~250
						25
32	100~150 160~200 210~250					

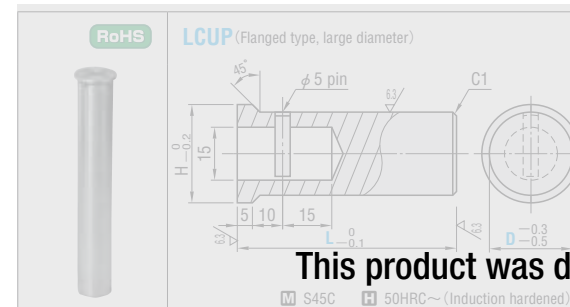
**Order** Catalog No. — L  
MCUP 20 — 200

**Days to Ship** Quotation

**Price** Quotation

**Alterations** Catalog No. — L(LC) — (LKC·MC)  
MCUP 20 — LC195 — LKC

Alteration	Code	Spec.	1Code															
	LC	Full length change 35 ≤ LC < L 1mm increments	Quotation															
	LKC	Full length tolerance change L tolerance $0 \rightarrow -0.04$ LC → 0.1mm increments (When combined with LC, LC can be specified in 0.1mm increments)																
	MC	Tapping <table border="1"> <tr><th>D</th><th>M</th><th>ℓ</th></tr> <tr><td>16</td><td>8</td><td></td></tr> <tr><td>20</td><td>10</td><td>2×M</td></tr> <tr><td>25</td><td>12</td><td></td></tr> <tr><td>32</td><td>16</td><td></td></tr> </table>	D	M	ℓ	16	8		20	10	2×M	25	12		32	16		Quotation
D	M	ℓ																
16	8																	
20	10	2×M																
25	12																	
32	16																	



H	Catalog No.		Base unit price 1~9 pieces
	Type	L 20mm increments	
30	LCUP	25	80~160 180~240
		32	100~160 180~240
			38
45	160~220 240~300		
	60	160~220 240~300	

**Order** Catalog No. — L  
LCUP 38 — 160

**Days to Ship** Quotation

**Price** Quotation

**Alterations** Catalog No. — L(LC) — (LKC)  
LCUP 38 — LC153 — LKC

Alteration	Code	Spec.	1Code
	LC	Full length change 45 ≤ LC < L 1mm increments	Quotation
	LKC	Full length tolerance change L tolerance $0 \rightarrow -0.04$	

This product was discontinued in 2017.

Catalog No. : LCUP

COMPONENTS FOR AUTOMOTIVE DIES