
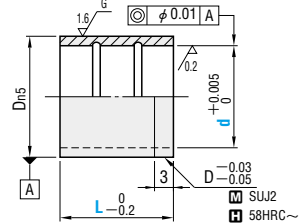





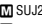

STRIPPER GUIDE BUSHINGS

— OIL · OIL-FREE TYPES —


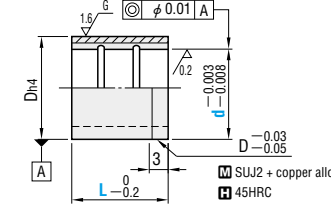

■ Oil type Use the stripper guide bushings at room temperature (40°C or less). Mounting method P.878

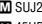
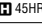
	SGBA (Press-fit type)																							
	<table border="1"> <thead> <tr> <th>D_{n5}</th> <th>Catalog No.</th> <th>L</th> <th>Base unit price</th> </tr> <tr> <th>Type</th> <th>d</th> <th></th> <th>1~9 pieces</th> </tr> </thead> <tbody> <tr> <td rowspan="5">12 14 18 22 25 32</td> <td rowspan="5">SGBA</td> <td>8</td> <td>10 13 16 20</td> </tr> <tr> <td>10</td> <td>10 13 16 20 25</td> </tr> <tr> <td>13</td> <td>13 16 20 25</td> </tr> <tr> <td>16</td> <td>16 20 25 30</td> </tr> <tr> <td>20</td> <td>20 25 30</td> </tr> <tr> <td>25</td> <td>25</td> <td>25 30 35</td> </tr> </tbody> </table>	D _{n5}	Catalog No.	L	Base unit price	Type	d		1~9 pieces	12 14 18 22 25 32	SGBA	8	10 13 16 20	10	10 13 16 20 25	13	13 16 20 25	16	16 20 25 30	20	20 25 30	25	25	25 30 35
D _{n5}	Catalog No.	L	Base unit price																					
Type	d		1~9 pieces																					
12 14 18 22 25 32	SGBA	8	10 13 16 20																					
		10	10 13 16 20 25																					
		13	13 16 20 25																					
		16	16 20 25 30																					
		20	20 25 30																					
25	25	25 30 35																						
<table border="1"> <thead> <tr> <th>D_{m5}</th> <th>Catalog No.</th> <th>L</th> <th>Base unit price</th> </tr> <tr> <th>Type</th> <th>d</th> <th></th> <th>1~9 pieces</th> </tr> </thead> <tbody> <tr> <td rowspan="5">12 14 18 22 25 32</td> <td rowspan="5">SGBH</td> <td>8</td> <td>10 13 16 20</td> </tr> <tr> <td>10</td> <td>10 13 16 20 22 25</td> </tr> <tr> <td>13</td> <td>13 16 20 22 25 30 35</td> </tr> <tr> <td>16</td> <td>13 16 20 22 25 30 35</td> </tr> <tr> <td>20</td> <td>16 20 22 25 30 35</td> </tr> <tr> <td>25</td> <td>25</td> <td>20 22 25 30 35</td> </tr> </tbody> </table>	D _{m5}	Catalog No.	L	Base unit price	Type	d		1~9 pieces	12 14 18 22 25 32	SGBH	8	10 13 16 20	10	10 13 16 20 22 25	13	13 16 20 22 25 30 35	16	13 16 20 22 25 30 35	20	16 20 22 25 30 35	25	25	20 22 25 30 35	
D _{m5}	Catalog No.	L	Base unit price																					
Type	d		1~9 pieces																					
12 14 18 22 25 32	SGBH	8	10 13 16 20																					
		10	10 13 16 20 22 25																					
		13	13 16 20 22 25 30 35																					
		16	13 16 20 22 25 30 35																					
		20	16 20 22 25 30 35																					
25	25	20 22 25 30 35																						
<table border="1"> <thead> <tr> <th>D_{h4}</th> <th>Catalog No.</th> <th>L</th> <th>Base unit price</th> </tr> <tr> <th>Type</th> <th>d</th> <th></th> <th>1~9 pieces</th> </tr> </thead> <tbody> <tr> <td rowspan="5">12 14 18 22 25 32</td> <td rowspan="5">SGBL</td> <td>8</td> <td>10 13 16 20</td> </tr> <tr> <td>10</td> <td>10 13 16 20 22 25</td> </tr> <tr> <td>13</td> <td>13 16 20 22 25 30 35</td> </tr> <tr> <td>16</td> <td>13 16 20 22 25 30 35</td> </tr> <tr> <td>20</td> <td>16 20 22 25 30 35</td> </tr> <tr> <td>25</td> <td>25</td> <td>20 22 25 30 35</td> </tr> </tbody> </table>	D _{h4}	Catalog No.	L	Base unit price	Type	d		1~9 pieces	12 14 18 22 25 32	SGBL	8	10 13 16 20	10	10 13 16 20 22 25	13	13 16 20 22 25 30 35	16	13 16 20 22 25 30 35	20	16 20 22 25 30 35	25	25	20 22 25 30 35	
D _{h4}	Catalog No.	L	Base unit price																					
Type	d		1~9 pieces																					
12 14 18 22 25 32	SGBL	8	10 13 16 20																					
		10	10 13 16 20 22 25																					
		13	13 16 20 22 25 30 35																					
		16	13 16 20 22 25 30 35																					
		20	16 20 22 25 30 35																					
25	25	20 22 25 30 35																						
<table border="1"> <thead> <tr> <th>D_{h4}</th> <th>Catalog No.</th> <th>L</th> <th>Base unit price</th> </tr> <tr> <th>Type</th> <th>d</th> <th></th> <th>1~9 pieces</th> </tr> </thead> <tbody> <tr> <td rowspan="5">12 14 18 22 25 32</td> <td rowspan="5">SGBT</td> <td>8</td> <td>10 13 16 20</td> </tr> <tr> <td>10</td> <td>10 13 16 20 22 25</td> </tr> <tr> <td>13</td> <td>13 16 20 22 25 30 35</td> </tr> <tr> <td>16</td> <td>13 16 20 22 25 30 35</td> </tr> <tr> <td>20</td> <td>16 20 22 25 30 35</td> </tr> <tr> <td>25</td> <td>25</td> <td>20 22 25 30 35</td> </tr> </tbody> </table>	D _{h4}	Catalog No.	L	Base unit price	Type	d		1~9 pieces	12 14 18 22 25 32	SGBT	8	10 13 16 20	10	10 13 16 20 22 25	13	13 16 20 22 25 30 35	16	13 16 20 22 25 30 35	20	16 20 22 25 30 35	25	25	20 22 25 30 35	
D _{h4}	Catalog No.	L	Base unit price																					
Type	d		1~9 pieces																					
12 14 18 22 25 32	SGBT	8	10 13 16 20																					
		10	10 13 16 20 22 25																					
		13	13 16 20 22 25 30 35																					
		16	13 16 20 22 25 30 35																					
		20	16 20 22 25 30 35																					
25	25	20 22 25 30 35																						

* Number of grooves on outside: L ≤ 20 → 2
> 20 → 3


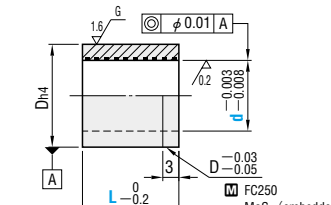

 SUJ2
 58HRC~

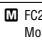
■ Copper alloy, oil type Use the stripper guide bushings at room temperature (40°C or less). Mounting method P.878

	SGSF (Loctite adhesive type)																				
	<table border="1"> <thead> <tr> <th>D_{h4}</th> <th>Catalog No.</th> <th>L</th> <th>Base unit price</th> </tr> <tr> <th>Type</th> <th>d</th> <th></th> <th>1~9 pieces</th> </tr> </thead> <tbody> <tr> <td rowspan="5">16 20 24 28 34</td> <td rowspan="5">SGSF</td> <td>10</td> <td>10 13 16 20 22 25</td> </tr> <tr> <td>13</td> <td>13 16 20 22 25 30</td> </tr> <tr> <td>16</td> <td>16 20 22 25 30 35</td> </tr> <tr> <td>20</td> <td>16 20 22 25 30 35</td> </tr> <tr> <td>25</td> <td>20 22 25 30 35</td> </tr> </tbody> </table>	D _{h4}	Catalog No.	L	Base unit price	Type	d		1~9 pieces	16 20 24 28 34	SGSF	10	10 13 16 20 22 25	13	13 16 20 22 25 30	16	16 20 22 25 30 35	20	16 20 22 25 30 35	25	20 22 25 30 35
D _{h4}	Catalog No.	L	Base unit price																		
Type	d		1~9 pieces																		
16 20 24 28 34	SGSF	10	10 13 16 20 22 25																		
		13	13 16 20 22 25 30																		
		16	16 20 22 25 30 35																		
		20	16 20 22 25 30 35																		
		25	20 22 25 30 35																		
<table border="1"> <thead> <tr> <th>D_{h4}</th> <th>Catalog No.</th> <th>L</th> <th>Base unit price</th> </tr> <tr> <th>Type</th> <th>d</th> <th></th> <th>1~9 pieces</th> </tr> </thead> <tbody> <tr> <td rowspan="5">16 20 24 28 34</td> <td rowspan="5">SGBF</td> <td>10</td> <td>10 13 16 20 22 25</td> </tr> <tr> <td>13</td> <td>13 16 20 22 25 30</td> </tr> <tr> <td>16</td> <td>16 20 22 25 30 35</td> </tr> <tr> <td>20</td> <td>16 20 22 25 30 35</td> </tr> <tr> <td>25</td> <td>20 22 25 30 35</td> </tr> </tbody> </table>	D _{h4}	Catalog No.	L	Base unit price	Type	d		1~9 pieces	16 20 24 28 34	SGBF	10	10 13 16 20 22 25	13	13 16 20 22 25 30	16	16 20 22 25 30 35	20	16 20 22 25 30 35	25	20 22 25 30 35	
D _{h4}	Catalog No.	L	Base unit price																		
Type	d		1~9 pieces																		
16 20 24 28 34	SGBF	10	10 13 16 20 22 25																		
		13	13 16 20 22 25 30																		
		16	16 20 22 25 30 35																		
		20	16 20 22 25 30 35																		
		25	20 22 25 30 35																		


 SUJ2 + copper alloy
 45HRC


■ Oil-free type


	SGBZ (Loctite adhesive type)																						
	<table border="1"> <thead> <tr> <th>D_{h4}</th> <th>Catalog No.</th> <th>L</th> <th>Base unit price</th> </tr> <tr> <th>Type</th> <th>d</th> <th></th> <th>1~9 pieces</th> </tr> </thead> <tbody> <tr> <td rowspan="5">13 16 20 24 28 34</td> <td rowspan="5">SGBZ</td> <td>8</td> <td>10 13 16 20</td> </tr> <tr> <td>10</td> <td>10 13 16 20 22 25</td> </tr> <tr> <td>13</td> <td>13 16 20 22 25 30</td> </tr> <tr> <td>16</td> <td>13 16 20 22 25 30 35</td> </tr> <tr> <td>20</td> <td>16 20 22 25 30 35</td> </tr> <tr> <td>25</td> <td>20 22 25 30 35</td> </tr> </tbody> </table>	D _{h4}	Catalog No.	L	Base unit price	Type	d		1~9 pieces	13 16 20 24 28 34	SGBZ	8	10 13 16 20	10	10 13 16 20 22 25	13	13 16 20 22 25 30	16	13 16 20 22 25 30 35	20	16 20 22 25 30 35	25	20 22 25 30 35
D _{h4}	Catalog No.	L	Base unit price																				
Type	d		1~9 pieces																				
13 16 20 24 28 34	SGBZ	8	10 13 16 20																				
		10	10 13 16 20 22 25																				
		13	13 16 20 22 25 30																				
		16	13 16 20 22 25 30 35																				
		20	16 20 22 25 30 35																				
25	20 22 25 30 35																						
<table border="1"> <thead> <tr> <th>D_{h4}</th> <th>Catalog No.</th> <th>L</th> <th>Base unit price</th> </tr> <tr> <th>Type</th> <th>d</th> <th></th> <th>1~9 pieces</th> </tr> </thead> <tbody> <tr> <td rowspan="5">13 16 20 24 28 34</td> <td rowspan="5">SGHZ</td> <td>8</td> <td>10 13 16 20</td> </tr> <tr> <td>10</td> <td>10 13 16 20 22 25</td> </tr> <tr> <td>13</td> <td>13 16 20 22 25 30</td> </tr> <tr> <td>16</td> <td>13 16 20 22 25 30 35</td> </tr> <tr> <td>20</td> <td>16 20 22 25 30 35</td> </tr> <tr> <td>25</td> <td>20 22 25 30 35</td> </tr> </tbody> </table>	D _{h4}	Catalog No.	L	Base unit price	Type	d		1~9 pieces	13 16 20 24 28 34	SGHZ	8	10 13 16 20	10	10 13 16 20 22 25	13	13 16 20 22 25 30	16	13 16 20 22 25 30 35	20	16 20 22 25 30 35	25	20 22 25 30 35	
D _{h4}	Catalog No.	L	Base unit price																				
Type	d		1~9 pieces																				
13 16 20 24 28 34	SGHZ	8	10 13 16 20																				
		10	10 13 16 20 22 25																				
		13	13 16 20 22 25 30																				
		16	13 16 20 22 25 30 35																				
		20	16 20 22 25 30 35																				
25	20 22 25 30 35																						


 FC250 MoS₂ (embedded)


* MoS₂ (Molybdenum disulfide) is a special solid lubricant which provides outstanding wear resistance.

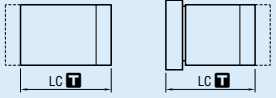
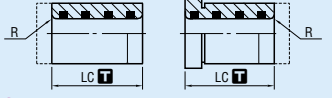
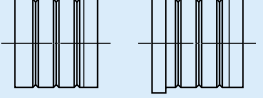
 Order **Catalog No.** — **L**
SGBH 10 — **16**

 Price **Quotation**

 Days to Ship **Quotation**

 Alterations **Catalog No.** — **L (LC)** — **(DLC)**
SGBA 16 — **LC22.0**

 **Quotation**

Alteration	L dimension change		Addition of grooves for Loctite
	Code	LC	
Spec.	<ul style="list-style-type: none"> • SGBA · SGBL • SGBH · SGBT 	<ul style="list-style-type: none"> • SGSF · SGBZ • SGBF · SGHZ  <p>⊙ Depending on the position of the solid lubricant, R may become larger.</p>	Grooves for Loctite are machined on the outside of the bushing.  <p>Straight-headed</p> <p>* Number of grooves on outside</p> <p>8.0 ≤ L (LC) ≤ 15.9 → 1 16.0 ≤ L (LC) ≤ 24.9 → 2 25.0 ≤ L (LC) ≤ 35.0 → 3</p> <p>⊗ Cannot be used for SGBA · SGBH · SGBL · SGBT.</p>
	1Code	Quotation	Quotation