


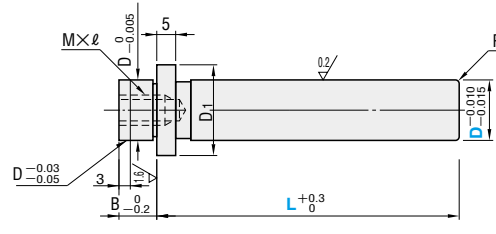
STRIPPER GUIDE PINS

— DETACHABLE TYPE —




RoHS

SGPR

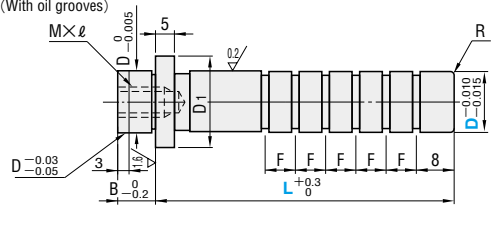


M SUJ2
58HRC~



RoHS

SGOR (With oil grooves)



M SUJ2
58HRC~

D	Number of grooves				
	30~	40~	60~	70~	80~
8	2	3	4	5	—
10	2	3	4	5	6
13	2	3	4	5	6
16	2	3	4	5	6
20	2	3	4	5	6
25	2	3	4	5	6

※ L(C)30~119.5 → F= 8
L120~L(C) max. → F=10

M×ℓ Pitch	D ₁	R	B	Catalog No.		L										Base unit price 1~9 pieces		
				Type	D											SGPR	SGOR	
M5×12 P0.8	13	1.0	8	SGPR SGOR	8	30	40	50	60	70								
	16				10	30	40	50	60	70	80							
M6×15 P1.0	20	1.5	10		13	40	50	60	70	80	90	100						
	23				16	40	50	60	70	80	90	100	110	120			Quotation	
M8×20 P1.25	27	2.0	13		20	50	60	70	80	90	100	110	120					
	32				25	60	70	80	90	100	110	120						

Order

Catalog No. — L

SGPR 16 — 100

EX Example



Washer for SGPR
SRW P.816

Days to Ship

Quotation

Price

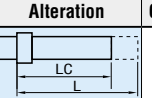
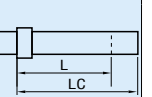
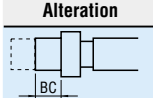
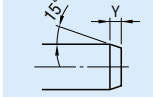
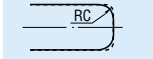
Quotation

Alterations

Catalog No. — L(LC) — (BC·GC·RC)


SGPR 16 — LC95

Quotation

Alteration	Code	Spec.	1Code																					
	LC	Full length change 30 ≤ LC < L 0.5mm increments	Quotation																					
	LC	Full length change (Long type LC)																						
		<table border="1" style="font-size: x-small; border-collapse: collapse;"> <thead> <tr> <th>D</th> <th>0.5mm increments</th> <th>1Code</th> </tr> </thead> <tbody> <tr> <td>8</td> <td>70 < LC ≤ 80</td> <td>SGPR</td> </tr> <tr> <td>10</td> <td>80 < LC ≤ 100</td> <td>SGOR</td> </tr> <tr> <td>13</td> <td>100 < LC ≤ 120</td> <td></td> </tr> <tr> <td>16</td> <td>120 < LC ≤ 140</td> <td></td> </tr> <tr> <td>20</td> <td>120 < LC ≤ 140</td> <td></td> </tr> <tr> <td>25</td> <td>120 < LC ≤ 140</td> <td></td> </tr> </tbody> </table>	D	0.5mm increments	1Code	8	70 < LC ≤ 80	SGPR	10	80 < LC ≤ 100	SGOR	13	100 < LC ≤ 120		16	120 < LC ≤ 140		20	120 < LC ≤ 140		25	120 < LC ≤ 140		
D	0.5mm increments	1Code																						
8	70 < LC ≤ 80	SGPR																						
10	80 < LC ≤ 100	SGOR																						
13	100 < LC ≤ 120																							
16	120 < LC ≤ 140																							
20	120 < LC ≤ 140																							
25	120 < LC ≤ 140																							
	BC	B dimension change 1mm increments 5 ≤ BC < B M tapping depth is shortened by (B-BC).	Quotation																					
	GC	Taper machining of the pin tip																						
	RC	Tip R change																						
		<table border="1" style="font-size: x-small; border-collapse: collapse;"> <thead> <tr> <th>D</th> <th>Standard R</th> <th>RC (Selection)</th> </tr> </thead> <tbody> <tr> <td>8-10</td> <td>1.0</td> <td>1.5-2.0</td> </tr> <tr> <td>13-16</td> <td>1.5</td> <td>2.0-2.5</td> </tr> <tr> <td>20-25</td> <td>2.0</td> <td>2.5-3.0</td> </tr> </tbody> </table>	D	Standard R	RC (Selection)	8-10	1.0	1.5-2.0	13-16	1.5	2.0-2.5	20-25	2.0	2.5-3.0										
D	Standard R	RC (Selection)																						
8-10	1.0	1.5-2.0																						
13-16	1.5	2.0-2.5																						
20-25	2.0	2.5-3.0																						

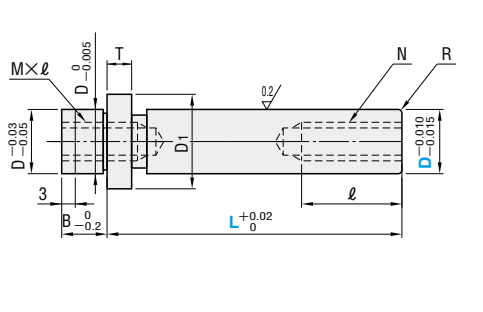
STRIPPER GUIDE PINS

— DETACHABLE AND BOTH ENDS TAPPED TYPE —



RoHS

SGPW



M SUJ2
58HRC~

M×ℓ Pitch	N Pitch	ℓ	D ₁	R	T	B	Catalog No.		L	Base unit price
							Type	D		
M4×12 P0.7	M4 P0.7	8~13	12	1.0	3	8	SGPW	8	25~70	
			14					10		
M5×12 P0.8	M5 P0.8	10~15	17	1.5	5	10		13	30~75	Quotation
M6×15 P1.0	M6 P1.0		23					16		
M8×20 P1.25	M8 P1.25	16~21	27	2.0		13		20	60~120	
			32					25		

Order

Catalog No. — L

SGPW 10 — 55

Price

Quotation

Days to Ship

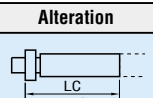

Quotation

Alterations

Catalog No. — L(LC) — (BC)

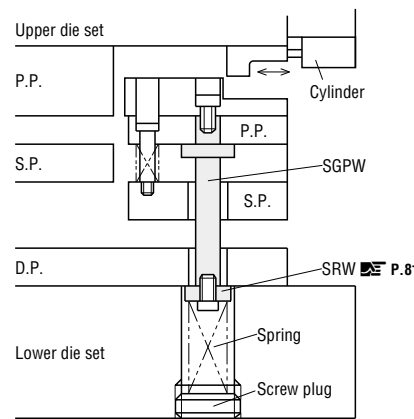
SGPW 10 — LC54 — BC6

Quotation

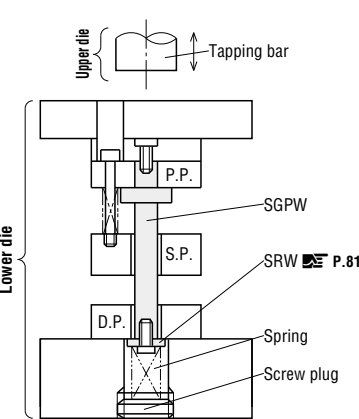
Alteration	Code	Spec.	1Code
	LC	Full length change D 8~13 25 ≤ LC < L D16~25 (Lmin.-5) ≤ LC < L 0.5mm increments	Quotation
	BC	B dimension change 1mm increments 5 ≤ BC < B M tapping depth is shortened by (B-BC).	Quotation

EX Example

- Use these stripper guide pins for die sets in which the punch plate is lifted up from the lower-die side.



Intermittent cutting process for progressive die



Movable lower die (tapping die)