

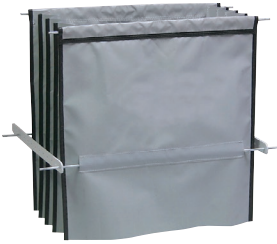
**NEW**

STRAIGHT GUIDE SKIRT

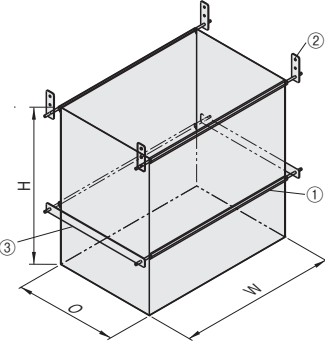
TAPER GUIDE SKIRT

# STRAIGHT GUIDE SKIRT / TAPERED GUIDE SKIRT

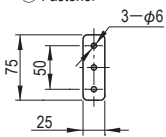
**■ Straight Guide Skirt**



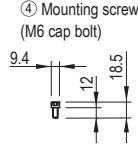
**M-SKT-WSMST**



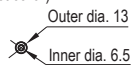
② Fastener



④ Mounting screw (M6 cap bolt)



(set collar)



Operating temperature: 93°C or less

No.	A Accessory	Quantity
①	Shaft	4 pcs
②	Fastener	4 pcs
③	Retention plate	2 pcs
④	Mounting screw (M6 cap bolt)	1 set

⚠ This product is delivered in disassembled form. Follow the instructions to assemble it before use.  
 ⚠ Use for molding smaller than the outlet size of the shooter.

Part Number		W (mm)	O (mm)	H (mm)	Unit Price
Type	No.				1 pc
<b>M-SKT-WSMST</b>	1	300	150	460	<b>Quotation</b>
	2	460	300		
	3	560	460	660	
	4	660			
	5	760			

Order

Part Number
**M-SKT-WSMST-1**

Days to Ship


Quotation

P

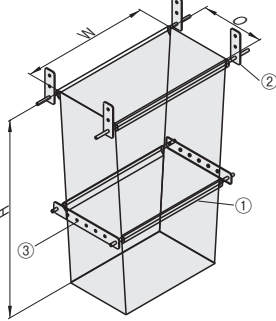
Price

Quotation

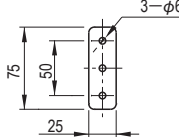
**■ Tapered Guide Skirt**



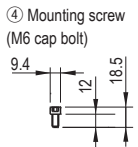
**M-SKT-WSMTP**



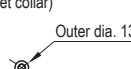
② Fastener



④ Mounting screw (M6 cap bolt)



(set collar)



Operating temperature: 93°C or less

No.	A Accessory	Quantity
①	Shaft	4 pcs
②	Fastener	4 pcs
③	Retention plate	2 pcs
④	Mounting screw (M6 cap bolt)	1 set

⚠ This product is delivered in disassembled form. Follow the instructions to assemble it before use.  
 ⚠ Use for molding smaller than the outlet size of the shooter.

Part Number		W (mm)	O (mm)	H (mm)	Unit Price
Type	No.				1 pc
<b>M-SKT-WSMTP</b>	1	300	150	460	<b>Quotation</b>
	2	460	300		
	3	560	460	660	
	4	660			
	5	760			

Order

Part Number
**M-SKT-WSMTP-1**

Days to Ship

Quotation

P

Price

Quotation

REMOVAL RELATED PRODUCTS