

MANIFOLD WITH VALVE (INNER THREAD) MOLD JOINT RC (PT) 1/4

■ Application Use for cooling water branching.



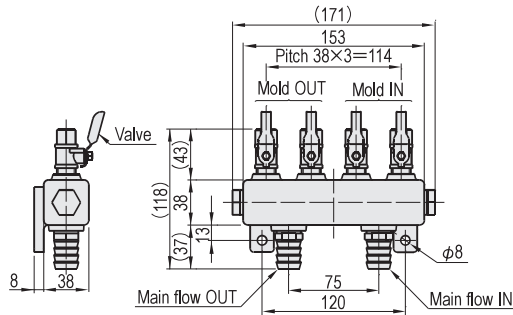
■ Features

- A simple manifold without a flow meter.
- The mold IN/OUT is inner threaded.
- Main flow IN/OUT hose nipples can be removed.

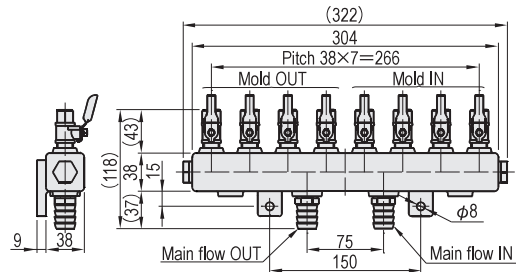
■ Material Nipple/valve: Brass
Manifold : Aluminum alloy

Operating temperature (oil) (°C) 120 or less
Operating temperature (water) (°C) 80 or less
Allowable pressure (MPa) 0.98
Max. flow rate (t/min) 10

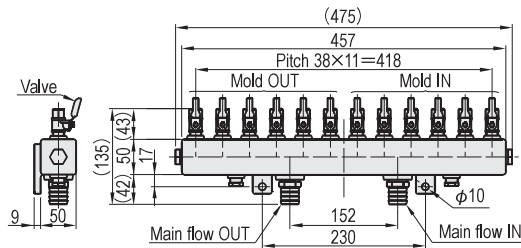
M-CMF-D2-2-2



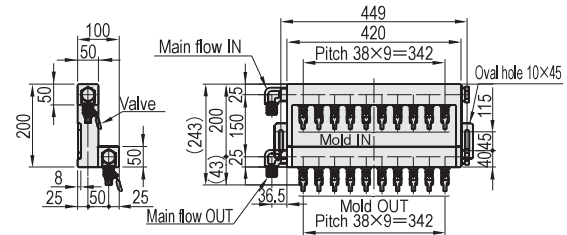
M-CMF-D2-4-4



M-CMF-D2-6-6



M-CM-F-D2-10-10



Width	Number of branches IN×OUT	Main flow inner diameter	Main flow compatible hose inner diameter	Main flow joint RC (PT)	Mold joint RC (PT)	Part Number		Unit Price
						Type	No.	1~2 pcs
171	2×2	16	19	1/2	1/4	M-CMF-D2	2-2	Quotation
322	4×4						4-4	
475	6×6	20	25	3/4			6-6	
449	10×10			1			10-10	



Order

Part Number

M-CMF-D2-2-2
M-CMF-D2-6-6



Days to Ship

Quotation



Price

Quotation

NEW

MANIFOLDS

MANIFOLD WITH VALVE (INNER THREAD) MOLD JOINT RC (PT) 3/8

Application Use for cooling water branching.



Features

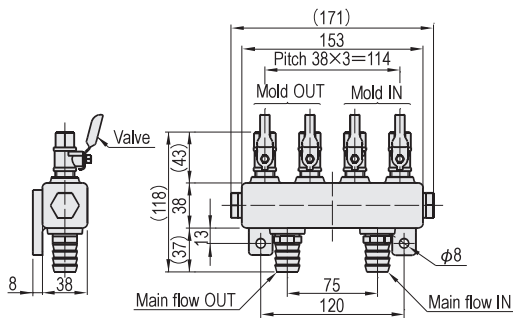
- A simple manifold without a flow meter.
- The mold IN/OUT is inner threaded.
- Main flow IN/OUT hose nipples can be removed.

Material Nipple/valve: Brass
Manifold : Aluminum alloy

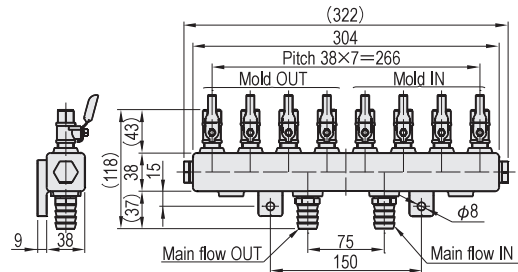
Operating temperature (oil) (°C) 120 or less
Operating temperature (water) (°C) 80 or less
Allowable pressure (MPa) 0.98
Max. flow rate (t/min) 10

COMPONENTS FOR MOLD COOLING AND TEMPERATURE CONTROLLING SYSTEMS

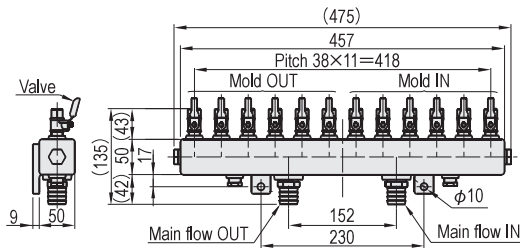
M-CMF-D3-2-2



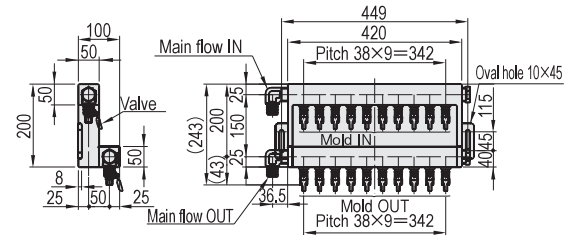
M-CMF-D3-4-4



M-CMF-D3-6-6



M-CM-F-D3-10-10



Width	Number of branches IN×OUT	Main flow inner diameter	Main flow compatible hose inner diameter	Main flow joint RC (PT)	Mold joint RC (PT)	Part Number		Unit Price
						Type	No.	
171	2×2	16	19	1/2	3/8	M-CMF-D3	2-2	Quotation
322	4×4						4-4	
475	6×6	20	25	3/4			6-6	
449	10×10						1	



Order

Part Number

M-CMF-D3-4-4
M-CMF-D3-10-10



Days to Ship

Quotation



Price

Quotation