
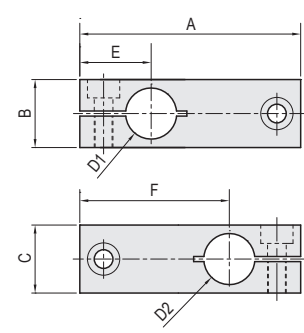


HOLDERS FOR PIPE
PIPE HOLDER

SLIDE BRACKETS JOINT
PIPE JOINT FOR SLIDE BRACKET



AT-PHC (pipe holder)



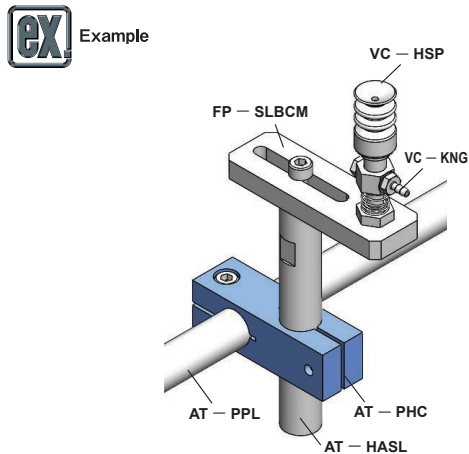

Type	Material	Surface treatment
AT-PHC (Pipe holder)	A6061 equivalent	White alumite

- This product is to be used in combination with parts for chuck plates listed in this catalog. Note that it may not be assemblable with other products.
- When clamping the pipe, tighten with a slit of under 1 mm as a guide.

A	B	C	E	F	D1	D2	Weight (g) ^{*1}	For pipe fixing Bolt (Accessories)	Part Number		Unit price 1~10 pcs
									Type	No.	
50	14	14	16	34	10	10	19	M4-8: 2 pcs	AT-PHC	1010	Quotation
65	20	20	21	44	15	15	49	M5-12: 2 pcs		1515	
78	24	24	25	53	20	20	79	M6-15: 2 pcs		2020	
58	14	20	16	37	10	15	30	M4-8: 1 pc M5-12: 1 pc		1015	
72	24	20	25	51	15	20	59	M5-12: 1 pc M6-15: 1 pc		1520	

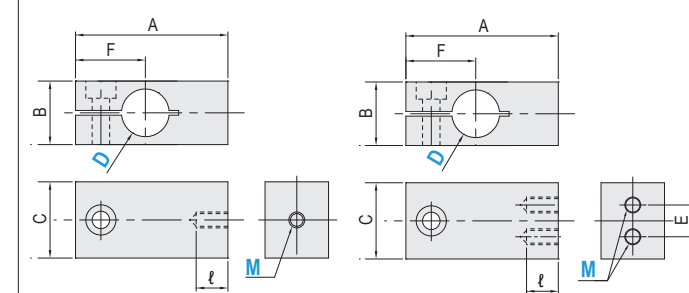
- *1 The weight is an approximate value. Consider it a guideline.
- Please check with our WOS for the purchase order that exceeds the displayed quantity.

Order **Part Number** **AT-PHC1010** Days to Ship **Quotation**

FP-FMJT (pipe joint)

- 1 screw hole (1M5)
- 2 screw holes (2M5)



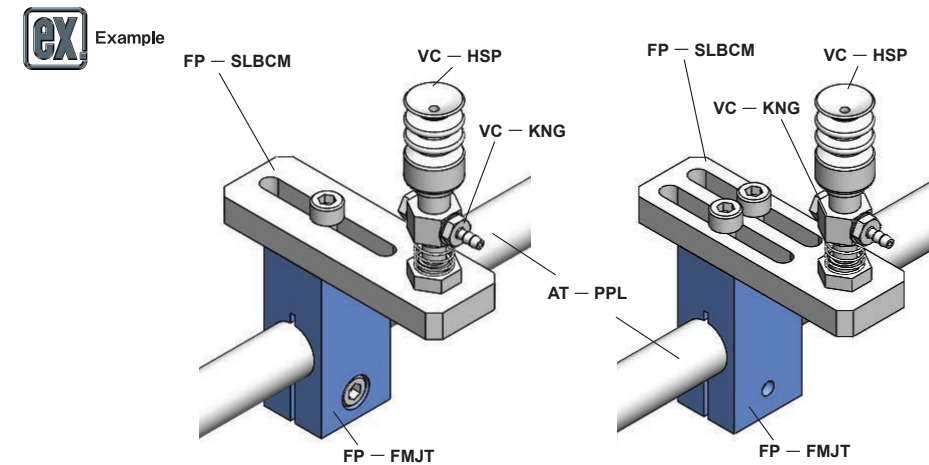
Type	Material	Surface treatment
FP-FMJT	A6061 equivalent	White alumite

- This product is to be used in combination with parts for chuck plates listed in this catalog. Note that it may not be assemblable with other products.
- When clamping the pipe, tighten with a slit of under 1 mm as a guide.

A	B	C	F	E	l	M×P	Weight (g) ^{*1}	For pipe fixing Bolt (Accessories)	Part Number		Unit price 1~10 pcs
									Type	D	
44	14	20	20	-	10	M5×P0.8	24	M4-8: 1 pc	FP-FMJT	10	Quotation
48	20	24	22				38	M5-12: 1 pc		15	
55	24	24	26				44	M6-15: 1 pc		20	
44	14	20	20				20	M4-8: 1 pc		10	
48	20	24	22				27	M5-12: 1 pc		15	
55	24	24	26	24	M6-15: 1 pc	20					

- *1 The weight is an approximate value. Consider it a guideline.
- Please check with our WOS for the purchase order that exceeds the displayed quantity.

Order **Part Number** **FP-FMJT10** - **M** **2M5** Days to Ship **Quotation**



• When the height does not need to be adjusted, it is possible to fix the slide bracket (FP-SLBCM) directly to the pipe joint for a compact finish.

• As the slide bracket are mounted with two screws, it can be fixed stably.