

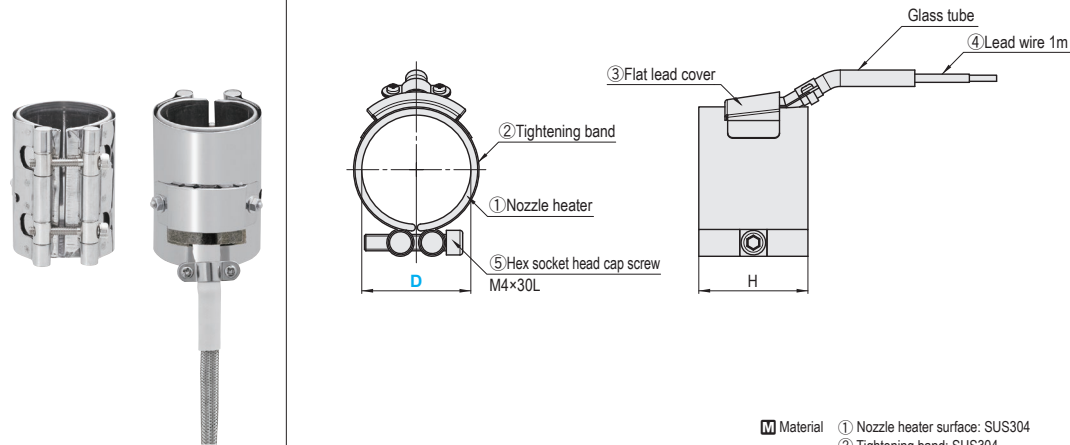
# THIN NOZZLE HEATER FOR MOLDING MACHINE

# HEAT RETENTION TAPE FOR MOLDING MACHINE NOZZLES / HIGH TEMPERATURE GLASS TAPE

— HEAT RESISTANCE 400°C / HEAT RESISTANCE 800°C —

Thin Nozzle Heater for Molding Machine

MUNH



Material ① Nozzle heater surface: SUS304  
 ② Tightening band: SUS304  
 ③ Flat cover: SUS430  
 ④ Lead wire: Metal shield wire  
 ⑤ Hex socket head cap screw: Iron + nickel plating  
 Heat resistant temperature Heater body: 350°C  
 Lead wire: 180°C

V (Rated voltage)	W (Wattage)	W/cm <sup>2</sup> (Watt density)	Part Number Type	D	H (Thickness of band)	Unit price 1~3 pcs
220V	110	4.7	MUNH	30	25	Quotation
	130	4.6			30	
	150	4.5			35	
	180	4.8			40	
	200	4.7			45	
	220	4.7			50	
	140	5.1			25	
	150	4.5			30	
	180	4.7			35	
	210	4.8			40	
	230	4.7			45	
	260	4.7			50	
	280	4.6			55	
	310	4.7			60	
	170	4.7	30			
	190	4.5	35			
	210	4.4	40			
	250	4.7	45			
	280	4.7	50			
	310	4.7	55			
	340	4.7	60			

V (Rated voltage)	W (Wattage)	W/cm <sup>2</sup> (Watt density)	Part Number Type	D	H (Thickness of band)	Unit price 1~3 pcs
220V	180	4.8	MUNH	40	30	Quotation
	200	4.5			35	
	230	4.6			40	
	260	4.6			45	
	290	4.6			50	
	320	4.6			55	
	350	4.6			60	
	200	4.7			30	
	230	4.7			35	
	260	4.6			40	
	300	4.7			45	
	330	4.7			50	
	370	4.8			55	
	400	4.7			60	
	220	4.7	30			
	250	4.5	35			
	290	4.6	40			
	330	4.7	45			
	370	4.7	50			
	410	4.7	55			
	440	4.7	60			

Order Part Number — H  
 MUNH40 — 50

Days to Ship Quotation

Features

- The flat lead cover is set low so that the outer circumference does not interfere with the nozzle heater of the molding machine.
- Since the heating element and band are integrated, it is easy to install and prevents short circuit due to band misalignment.

Heat Retention Tape for Molding Machine Nozzles



Material ① Non-heating glass fiber  
 ② Ceramic fiber

High Temperature Glass Tape



Material Tape: Glass fiber  
 Adhesive: Silicone adhesive (heat cured)

Thickness (mm)	Width (mm)	Part Number		Length (unit: m)	Unit price for 1~4 pcs	
		Type	No.		L1	L10
1.6	75	MNL (Heat resistance of 400°C)	1	1 10	Quotation	
3.2			2			
1.8	75	MNLH (Heat resistance of 800°C)	1	1 10	Quotation	

Application

- The heat retention tape for injection machine's nozzle is wound around the nozzle heater of the injection machine to prevent the heat of the nozzle heater from coming out and to stabilize the temperature inside the nozzle.
- It is available in two heat resistance temperatures of 400°C (MNL) and 800°C (MNLH).

Thickness (mm)	Width (mm)	Length (unit: m)	Part Number		Unit price
			Type	No.	1~4 pcs
0.2	6	33	NKGT	6	Quotation
	13			13	
	19			19	

Application

- It is used to fix heat insulation tape for molding machine nozzles wound around the nozzle of the molding machine.
- Operating temperature limit: 260°C

Order Part Number — Length  
 MNL2 — 10  
 NKGT6

Price

Quantity Discount Rate

Order Quantity	Standard Service		Non-Standard Service - Large Quantity
	1~4	5~9	10~
Rate	Standard	5%	To be quoted

Please check with our WOS for the purchase order that exceeds the displayed quantity.

Days to Ship Quotation

Example Securely wound the heat retention tape over the injection's nozzle then fix with the high temperature glass tape.

