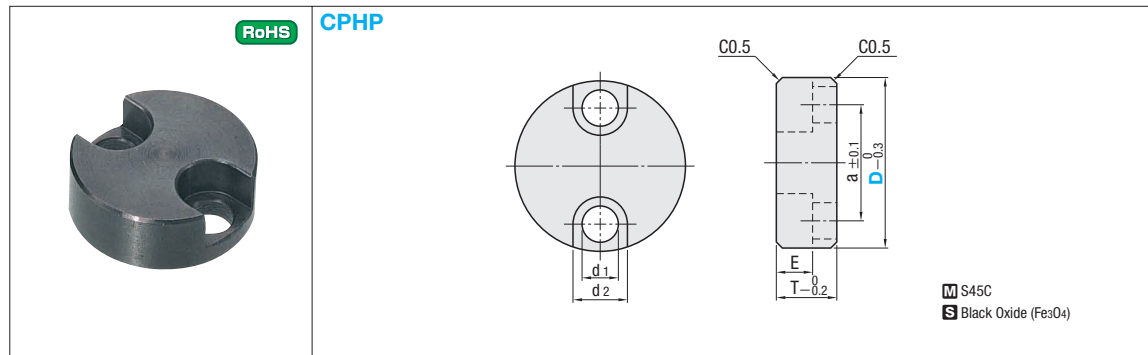


HOLDING PLATES FOR PIN

CORE PIN HOLD SCREW PLUGS / POSITIONING SCREW PLUGS

ⓘ Non JIS material definition is listed on P.1351 - 1352

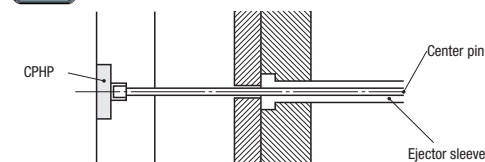


| Pin head dia. (reference value) | Applicable bolt size | a | d1 | d2 | E | T | Part Number | | U/Price 1~9 |
|---------------------------------|----------------------|----|----|----|-----|------|-------------|----|-------------|
| | | | | | | | Type | D | |
| φ 5 or less | M4 | 12 | 5 | 8 | 5.5 | 8 | CPHP | 20 | Quotation |
| φ 9 or less | | 16 | | | | | | 25 | |
| φ 11 or less | M6 | 20 | 7 | 11 | 7 | 11.5 | | 30 | |
| φ 15 or less | | 24 | | | | | | 34 | |
| φ 20 or less | | 30 | | | | | | 40 | |

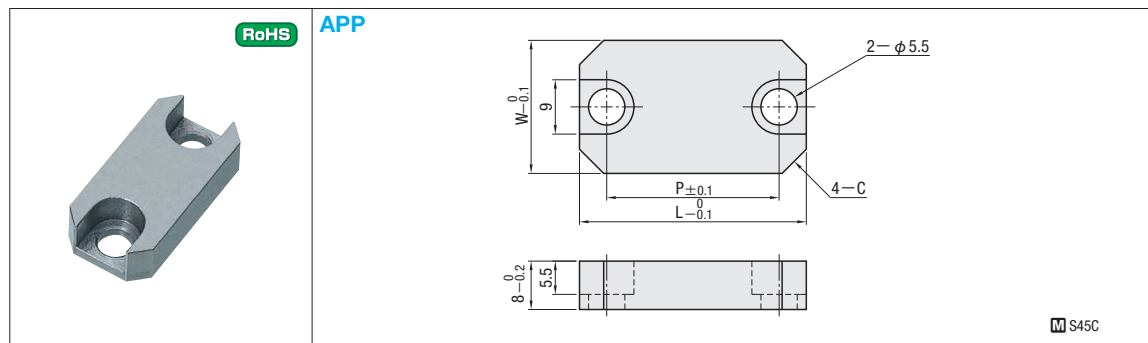
Order Part Number **CPHP30**

Example **EX**

Days to Ship **Quotation**



Price **Quotation**

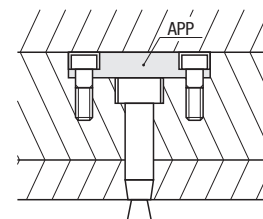


| Pin head dia. (reference value) | Applicable bolt size | W | L | P | C | Part Number | | U/Price 1~9 |
|---------------------------------|----------------------|----|----|----|---|-------------|-----|-------------|
| | | | | | | Type | No. | |
| φ 9 or less | M5 | 13 | 28 | 19 | 2 | APP | 6 | Quotation |
| φ 13 or less | | 16 | 32 | 23 | 3 | | 10 | |
| φ 19 or less | | 22 | 38 | 29 | 5 | | 16 | |
| φ 23 or less | | 26 | 42 | 33 | 6 | | 20 | |

Order Part Number **APP10**

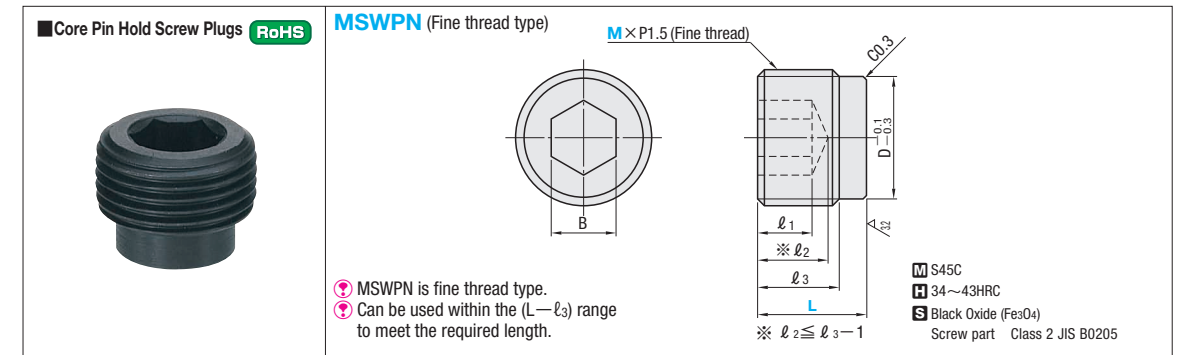
Example **EX**

Days to Ship **Quotation**



Can also be used as a backup plate for runner lock pins.

Price **Quotation**

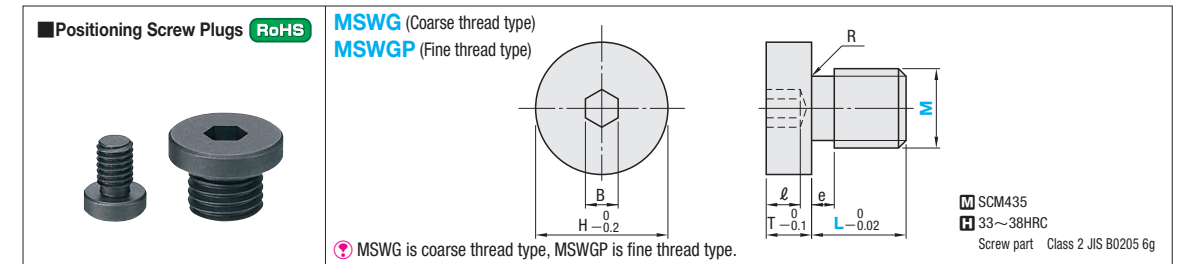


| M×Pitch (Fine thread) | D | B | l ₁ | l ₂ max. | l ₃ | L-l ₃ | Part Number | | U/Price 1~99 |
|-----------------------|----|----|----------------|---------------------|----------------|------------------|--------------------------|----|--------------|
| | | | | | | | Type | M | |
| M12×1.5 | 10 | 6 | 4 | 11 | 12 | 3 | MSWPN (Fine thread type) | 12 | 15 |
| M16×1.5 | 14 | 8 | | | | | | 16 | 15 |
| M20×1.5 | 15 | 10 | 5 | 9 | 10 | 20 | | 15 | Quotation |
| M24×1.5 | 21 | 12 | 9 | 14 | 15 | 24 | | 20 | |
| M30×1.5 | 25 | 14 | 11 | 17 | 18 | 30 | | 25 | |

Order Part Number **MSWPN24 - 20**

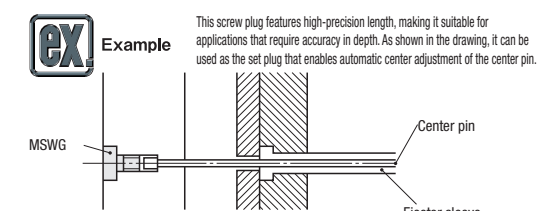
Price **Quotation**

Days to Ship **Quotation**



| H | T | B | l | e | R | M×Pitch | Part Number | | U/Price 1~19 | Slide Unit Price 20~49 |
|-----|-----|--------------------------|--------------------------|-----|-----|---------------------------|---------------------------|----|--------------|------------------------|
| | | | | | | | Type | M | | |
| 5.5 | 2 | 1.5 | 2 | 1.0 | 0.2 | M 3×0.5 (Coarse thread) | MSWG (Coarse thread type) | 3 | 4 | 6 |
| 7 | 2.5 | 2 | | | | M 4×0.7 (Coarse thread) | | 4 | 5.5 | 7.5 |
| 8.5 | 3 | 2.5 | M 5×0.8 (Coarse thread) | 5 | 6 | 8 | | | | |
| 10 | 3.5 | 3 | M 6×1.0 (Coarse thread) | 6 | 6.5 | 8.5 | | | | |
| 13 | 4 | 4 | M 8×1.25 (Coarse thread) | 8 | 9 | 11 | | | | |
| 16 | 4 | 5 | 4 | 2.0 | 0.5 | M 10×1.5 (Coarse thread) | MSWGP (Fine thread type) | 10 | Quotation | |
| 18 | | 6 | | | | M 12×1.75 (Coarse thread) | | 12 | | |
| 22 | 8 | M 16×2.0 (Coarse thread) | | | | 16 | | | | |
| 24 | 5 | 10 | | | | M 18×2.5 (Coarse thread) | | 18 | | |
| 26 | 6 | 12 | | | | M 20×2.5 (Coarse thread) | | 20 | | |
| 18 | 4 | 6 | M 12×1.5 (Fine thread) | 12 | 8 | 9 | | | | |
| 22 | 5 | 8 | M 16×1.5 (Fine thread) | 16 | 9 | 11 | | | | |
| 24 | 5 | 10 | M 18×1.5 (Fine thread) | 18 | 10 | 13 | | | | |
| 26 | 6 | 12 | M 20×1.5 (Fine thread) | 20 | 10 | 15 | | | | |

Order Part Number **MSWG6 - 8.5**



Days to Ship **Quotation**