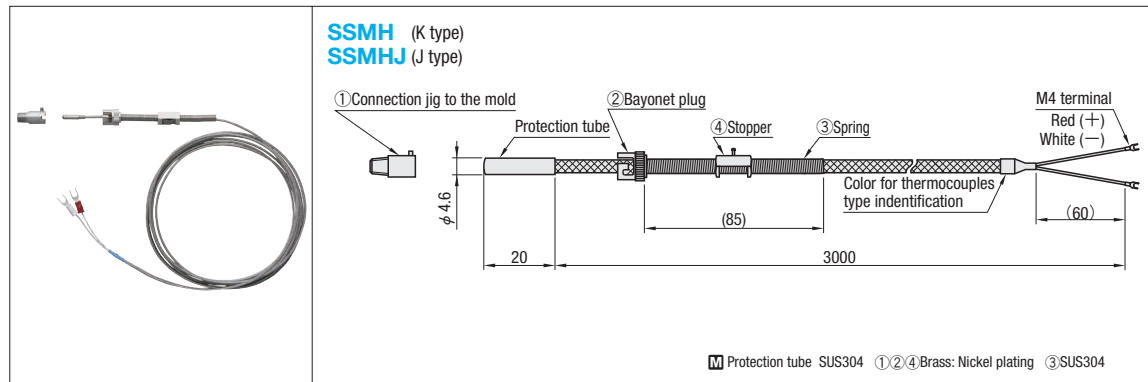


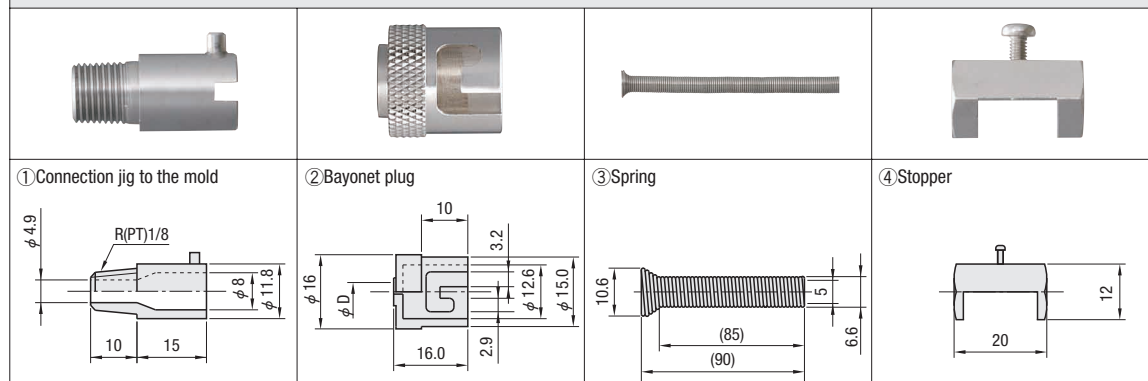
THERMOCOUPLES

—SPRING ATTACHMENT TYPE—



Protection tube SUS304 ①②④Brass: Nickel plating ③SUS304

Complete parts (Not available for unbundled sales)

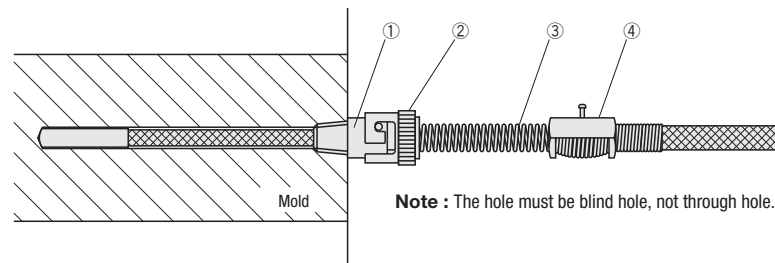


Thermocouples type (Color)	Thermocouples type	Strand resistance Ω/m	Max. usable temperature	Part Number	U/Price	
					1~9	10~19
Blue	K type	9.0	300°C	SSMH4.9	Quotation	
Yellow	J type			SSMHJ4.9		

To be quoted on price & lead time above Max. Q'ty.

Order **Part Number** SSMH4.9 **Days to Ship** Quotation

- Example**
1. Drill blind hole with RC (PT) 1/8 tapered female screw on the mold and fix connection jig to the mold (Parts ①)
 2. Fix the stopper (Parts ④) on any place of thermocouple.
 3. Hook connection jig (Parts ①) by spring (Parts ③).
 4. Head of sensor tightly fits to the mold for constant temperature checking and easy removal.



SIMPLIFIED THERMOMETER WITH MAGNETIC-BACKED/SIMPLIFIED THERMOMETERS/RADIATION THERMOMETER

Non JIS material definition is listed on P.1351 - 1352

M-HM (Simplified Thermometer with magnetic-backed)
Available to measure approx temperature of the mold by attaching on the surface of the mold.

Temperature range (°C) | Scale (°C) | Recommended confirmation temperature range (°C) | Part Number Type | U/Price

0~100	2	40~60	M-HM	10 20	Quotation
0~200	5	80~120			

Order **Part Number** M-HM10 **Days to Ship** Quotation

Price Quotation

Features:
It can be attached to the mold surface for confirming rough temperature variation. It measures temperature by taking advantage of thermal expansion of bimetal, so it cannot be used as a precise temperature measurement instrument. The error of display temperature is about ± 1 scale within the recommended temperature range for confirmation. (The display error is large outside the recommended temperature range for confirmation, so it is not recommended.)

TGU (Simplified Thermometers)

Temperature measurement range: 0~200°C Accuracy: $\pm 5^\circ\text{C}$ within 0~200°C range. SUS304

Part Number	U/Price		
	1~9	10~19	20~49
TGU	Quotation		

Order **Part Number** TGU **Days to Ship** Quotation

To be quoted on price & lead time above Max. Q'ty.

Example

Insert into a mold to see its approximate temperature.

TGR (Radiation thermometer)

AAA battery x2

Measuring Range	-55~+350°C
Indication Unit	0.1°C (-9.9~199.9°C) 1°C for other range
Measuring Accuracy	$\pm 2\%$ rdg or $\pm 3^\circ\text{C}$, whichever bigger
Response Time	1 second
Emissivity	Variable with 0.01 increments in the range between 0.05 and 1.00

Laser Light
Do NOT look inside the beam
MAX=1mW 650nm
JIS C6802(1988)
Class 2 Laser Product

Temperature range (°C)	Part Number	U/Price	
		1~9	10~19
-55~+350	TGR	Quotation	

Order **Part Number** TGR **Days to Ship** Quotation

Price Quotation

Example

Laser marker specifications
Division of Laser security: Class II
Wavelength: Red (650nm)
Energy radiation: MAX=1mW, JIS C6802(1988)
Class 2 Laser product

Electrical specifications

Display	3.5 digits liquid crystal display (LCD)
Low battery indicator	When voltage of battery becomes below operating voltage " " or " "
Sampling	1 time/second
Operational temperature/humidity	0°C~+50°C (Subject to non condensing)
Storage temperature/humidity	-20°C~+65°C
Power source	AAA battery (1.5V)x2
Dimensions	43.5 (W)x113.5 (H)x24.5 (D) mm
Weight	Approx. 85g (including batteries)

Example

Surface temperature is judged by checking infrared radiation of the object.
When the surface of object reflects the light, secure with masking tape or coat with matt finish black color.

Example

Batteries are packed for testing purpose. Recommend for early replacement with new batteries.