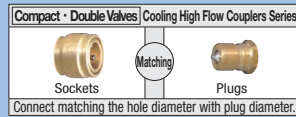


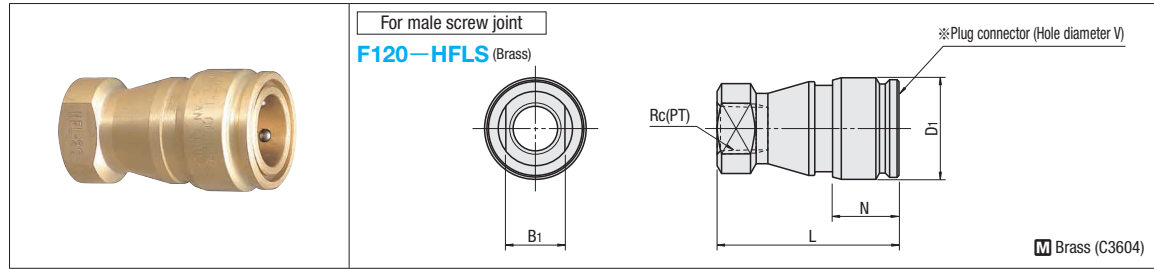
COMPACT • DOUBLE VALVES

COOLING HIGH FLOW COUPLERS

—SOCKETS • PLUGS—



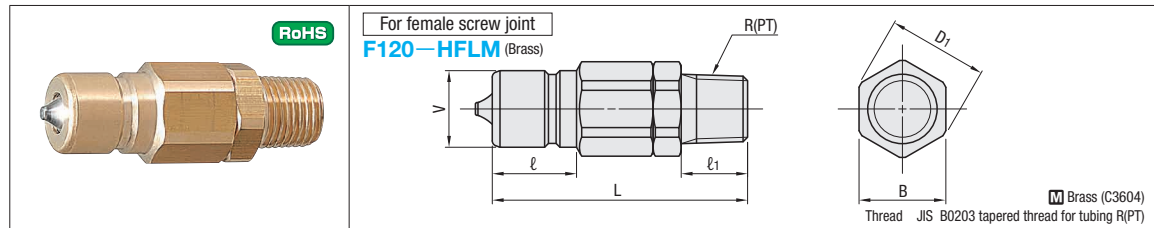
Use cooling high flow coupler series matching with the diameter size of socket and plug.



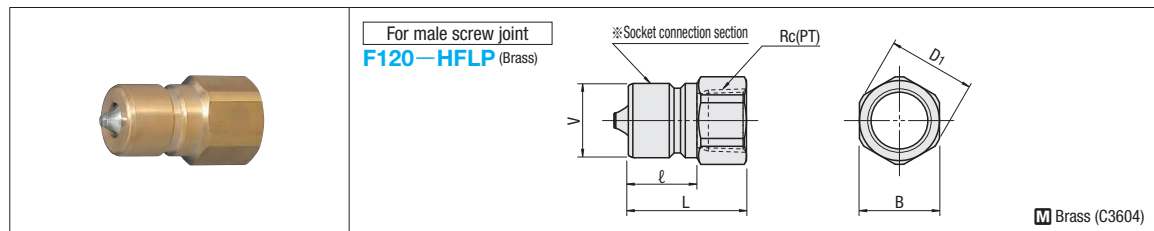
Matching Plugs	Plug connection parts			L	Dihedral side B1	Tapered female thread Rc(PT)	Part Number		U/Price
	Hole diameter V	N	D1				Type	No.	
High flow couplers Tip diameter V=15	15	17	26	47	19	1/4	F120-HFLS (Brass)	2	Quotation
High flow couplers Tip diameter V=19	19	18	32	49	24	3/8		3	
High flow couplers Tip diameter V=22	22	21	35	60	29	1/2		4	

Matching plugs: MISUMI's cooling high flow couplers F120-HFLP (Ex.F120-HFLP2) • SF120-HFLP **below** • P.1068
Nitto's high flow couplers HFL□P (Ex.HFL2P)

- Use cooling high flow coupler series matching with the diameter size of socket and plug.
- Matching Joint Plug Connections **P.1045**
- Use in atmospheric pressure 980kPa (10kgf/cm²) or lower.
- Keep water temperature under 120°C.
- For cooling high flow coupler, there are automatic open/close valves in socket and plug respectively due to the structure of double valves.



Matching Sockets	Socket connection parts		L	D1	Allen side B	l1	Tapered thread R(PT)	Part Number		U/Price
	V	l						Type	No.	
High flow couplers Tip diameter V=15	15	16.5	50	18.5	17	13	1/4	F120-HFLM (Brass)	2	Quotation
High flow couplers Tip diameter V=19	19	18	54.5	23	21	13	3/8		3	



Matching Sockets	Socket connection parts		L	D1	Allen side B	Tapered female thread Rc(PT)	Part Number		U/Price
	V	l					Type	No.	
High flow couplers Tip diameter V=15	15	16.5	30	18.5	17	1/4	F120-HFLP (Brass)	2	Quotation
High flow couplers Tip diameter V=19	19	18	31	23	21	3/8		3	

Matching Sockets: MISUMI's cooling high flow couplers F120-HFLS (Ex.F120-HFLS2) • SF120-HFLS (Ex.SF120-HFLS2) **Above** • P.1068
Nitto's high flow couplers HFL□S (Ex.HFL2S)

- Use cooling high flow coupler series matching with the diameter size of socket and plug.
- Matching Joint Plug Connections **P.1045**
- Use in atmospheric pressure 980kPa (10kgf/cm²) or lower.
- Keep water temperature under 120°C.
- For cooling high flow coupler, there are automatic open/close valves in socket and plug respectively due to the structure of double valves.

Order **Part Number**
F120-HFLS2
F120-HFLM2
F120-HFLP4

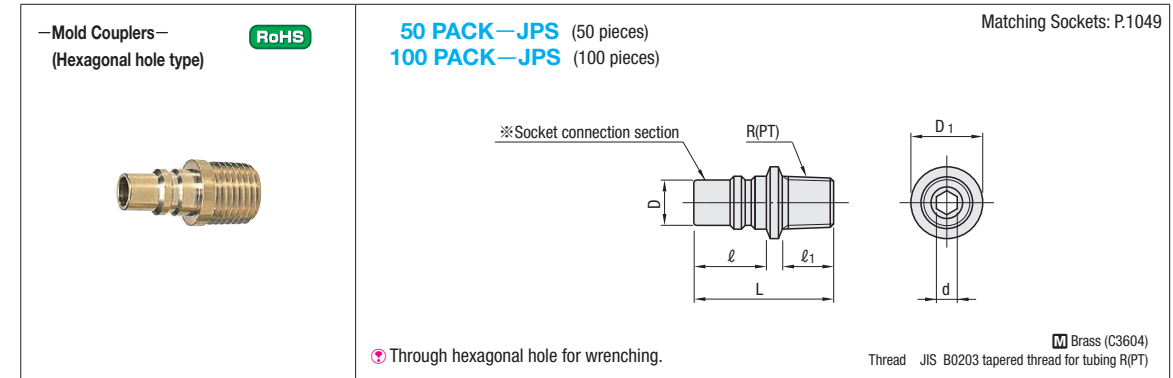
Price **Quotation**

Days to Ship **Quotation**

MOLD COUPLERS / HIGH COUPLERS FOR COOLING PIPE

—PLUGS—

Non JIS material definition is listed on P.1351 - 1352



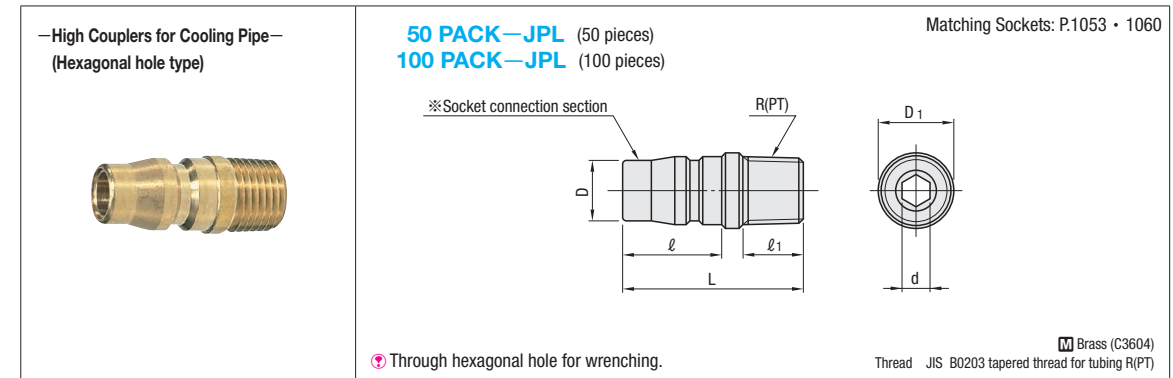
D	D1	Hexagonal wrench socket d	L	l	l1	Tapered thread R(PT)	Part Number		U/Price	
							PACK	Type	No.	50 PACK
8	13	5	27	15	9	1/8	50 PACK 100 PACK	JPS	1	Quotation
	14		29						11	

Matching Sockets: MISUMI's mold couplers KSH • KTSH • KSM • KTSM • KFF • KTFF • F120-KSH • F120-KSM • F120-KFF • F120-KSHL • F120-KTSHBL **P.1049**
Nitto's mold couplers K□□SH (Ex.K02SH) • K□□TSH • K□□SM • K□□SF

Use in atmospheric pressure 980kPa (10kgf/cm²) or lower. Guide for plugs **P.1047 • 1048 • 1317~1320**

Order **Part Number**
PACK Type No.
(For 50 pcs.) 50 PACK - JPS 1
(For 100 pcs.) 100 PACK - JPS 1

Days to Ship **Quotation**



D	D1	Hexagonal wrench socket d	L	l	l1	Tapered thread R(PT)	Part Number		U/Price		
							PACK	Type	No.	50 PACK	100 PACK
10.9	14	6	32	20	9	1/8	50 PACK 100 PACK	JPL	1	Quotation	
	14		34						11		2
	18		37						14		3

Matching sockets: MISUMI's high couplers for cooling pipe KHSH • KHSM • KHSHF • F120-KHSH • F120-KHSM • F120-KHSHF **P.1053**
Nitto's high couplers 20S□ (Ex.20SH) • 30S□ • 40S□

Use in atmospheric pressure 980kPa (10kgf/cm²) or lower. Guide for plugs **P.1047 • 1048 • 1317~1320**

Order **Part Number**
PACK Type No.
(For 50 pcs.) 50 PACK - JPL 1
(For 100 pcs.) 100 PACK - JPL 1

Days to Ship **Quotation**