



Post Clamps

Vertical & Parallel Tapped with a Clamp Lever

Feature: Convenient for frequent setup changes. Vertically adjustable with a clamp lever without tools.

Post Clamps – Vertical & Parallel Tapped with a Clamp Lever



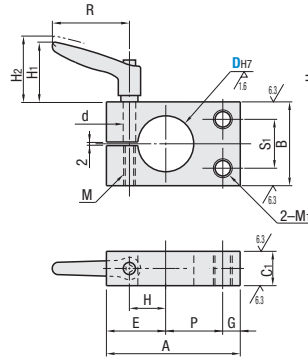
RoHS 10

Type			Material	Surface Treatment
Vertical Taps	Parallel Taps			
Thin	Thin	Standard		
KMKU	KQKU	KQK	1018 Carbon Steel or Equivalent	Black Oxide
MMKU	MQKU	MQK		Electroless Nickel Plating
AMKU	AQKU	AQK		Black Anodize
WMKU	WQKU	WQK	Aluminum Alloy	Clear Anodize
SMKU	SQKU	SQK		304 Stainless Steel

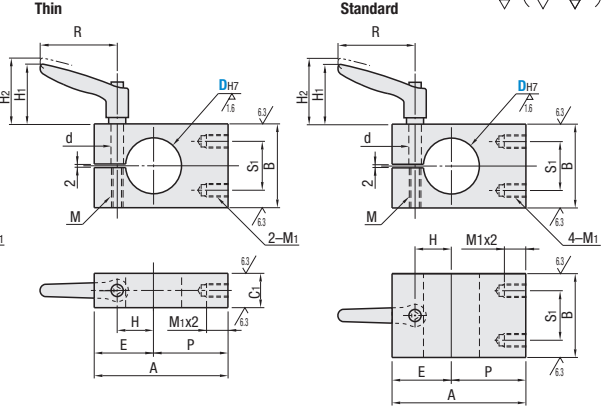
For Clamp Levers, Refer to P.3190

D _{H7}	Thin	Standard
10	CLDM5-16-M	CLDM6-16-M
12	CLDM5-20-M	CLDM6-20-M
15	CLDM5-20-M	CLDM8-20-M
20	CLDM6-25-M	CLDM8-25-M
25	CLDM6-32-M	CLDM10-32-M
30	CLDM6-32-M	CLDM10-40-M
35	CLDM8-40-M	CLDM12-40-M

Vertical Taps Thin Type



Parallel Taps



Vertical Tapped Thin Type

Type	Part Number	D _{H7}	P	A	B	C ₁	E	G	H	S ₁	M ₁	M	d	Clamp Lever		
														H ₁	H ₂	R
KMKU MMKU AMKU WMKU SMKU	10	+0.015 0	11	31	16	9	15	5	9	8	M4	M5	5.5	35	38.5	45
	12	+0.018 0	13	34	22	12	16	8	10	12	M5	M6	6.6	35	38.5	45
	15	0	17	45	22	12	20	8	12	12	M5					
	20	+0.021 0	20	52	28	16	22	22	10	15	16	M6	6.6	35	38.5	45
	25	0	23	58	32	19	25	10	18	20						
	30	+0.025 0	27	66	38	19	29	10	21	25	25	M8	9	45.5	49	63
	35	0	30	72	45	22	32	10	24	28	28					

Ⓛ D_{H7} tolerance is before the slit machining. Ⓛ Recommended Tolerances of Fitting Shafts: g6, f8. Ⓛ D dimension 35 is not available for MMKU & SMKU. For AMKU dimension 12 & 35 are not available.

Parallel Tapped Thin Type

Type	Part Number	D _{H7}	P	A	B	C ₁	E	H	S ₁	M ₁	M	d	Clamp Lever		
													H ₁	H ₂	R
KQKU MQKU AQKU WQKU SQKU	10	+0.015 0	16	31	16	9	15	9	8	M4	M5	5.5	35	38.5	45
	12	+0.018 0	18	34	22	12	16	10	12	M5	M6	6.6	35	38.5	45
	15	0	25	45	22	12	20	12	12	M5					
	20	+0.021 0	30	52	28	16	22	15	16	16	M6	6.6	35	38.5	45
	25	0	33	58	32	19	25	18	20						
	30	+0.025 0	37	66	38	19	29	21	25	25	M8	9	45.5	49	63
35	0	40	72	45	22	32	24	28	28						

Ⓛ DH7 tolerance is before the slit machining. Ⓛ Recommended Tolerances of Fitting Shafts: g6, f8. Ⓛ D dimensions 30 & 35 are not available for MQKU. KQKU is not available in 25 & 35 for D dimension. AQKU is not available for D=25 and SQKU for D=35.

Parallel Tapped Standard

Type	Part Number	D _{H7}	P	A	B	E	H	S ₁	M ₁	M	d	Clamp Lever		
												H ₁	H ₂	R
KQK MQK AQK WQK SQK	10	+0.015 0	16	32	16	16	10	8	M4	M6	6.6	35	38.5	45
	12	+0.018 0	18	35	22	17	11	12	M5	M8	9	45.5	49	63
	15	0	25	47	22	22	14	12	M5					
	20	+0.021 0	30	54	28	24	16	16	16	M6	11	55	59	78
	25	0	33	62	32	29	20	20						
	30	+0.025 0	37	68	40	31	22	25	25	M8	13	67	71	92
	35	0	40	77	45	37	26	28	28					

Ⓛ D_{H7} tolerance is before the slit machining. Ⓛ Recommended Tolerances of Fitting Shafts: g6, f8. Ⓛ AQK is not available for D=30 and SQK for D=35.

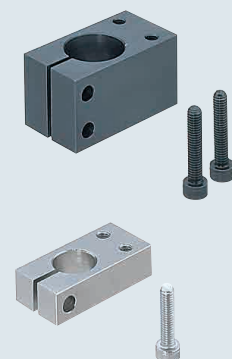
Part Number Example	Part Number
	KMKU20
	KQKU25
	SQKU15



Post Clamps

Vertical Taps

Post Clamps – Vertical Taps

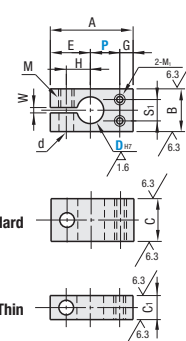


RoHS 10

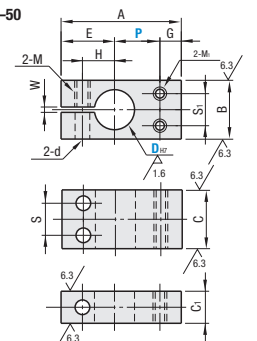
Type				Material	Surface Treatment	Accessories
Pitch Selectable	Pitch Configurable					
Standard	Thin	Standard	Thin			
KMN	KMNU	KML	KMLU	1018 Carbon Steel or Equivalent	Black Oxide	Hex Socket Head Cap Screws
MMN	MMNU	MML	MMLU		Electroless Nickel Plating	Hex Socket Head Cap Screws (Stainless Steel Equivalent)
AMN	AMNU	—	—		Black Anodize	Hex Socket Head Cap Screws
WMN	WMNU	—	—	Aluminum Alloy	Clear Anodize	Hex Socket Head Cap Screws (Stainless Steel Equivalent)
SMN	SMNU	—	—		304 Stainless Steel	—

Ⓛ CB screws are included with the black oxide and black anodized products, and SCB screws are included with the other products.

D=8-12



D=15-50



P Dimension Tolerance: JIS B 0405 Medium Class (P.4003)

Pitch Selectable

Type	Part Number	D _{H7}	P	A	B	C	C ₁	E	G	H	S ₁	M ₁	S	W	M	d			
																	Standard	Thin	
KMN MMN AMN WMN SMN (D=30)	KMNU MMNU AMNU WMNU SMNU (D=30)	8	+0.015 0	10	29	12	12	—	14	5	8	6	M3	—	M5	5.5			
		10	0	11	31	16	16	9	15	8	8	M4	—						
		12	+0.018 0	13	34	22	22	12	16	8	10	12	M5	12	2	M6	6.6		
		15	0	17	45	22	22	—	20	8	12	12	M5	12					
		16	+0.021 0	20	52	28	28	16	22	10	15	16	M6	14	2	M6	6.6		
		20	0	23	58	32	32	19	25	10	18	20							
		25	+0.025 0	27	66	40	40	19	29	10	21	25	M8	20	2	M8	9		
		30	0	30	72	45	45	22	32	10	24	28							
		KMN	KMNU	40	+0.025 0	35	79	50	50	25	34	10	26	30	M8	20	2	M8	9
				50	0	45	103	65	65	32	43	15	33	38	M10	32	3	M10	11

Ⓛ D=16 is only applicable to Standard Pitch (except Clear Anodize). Ⓛ D_{H7} tolerance is before the slit machining. Ⓛ For mating, g6, f8 shaft tolerances are recommended. Use of a long wrench is recommended for fastening.

Pitch Configurable

Type	Part Number	D _{H7}	P Selection	A	B	C	C ₁	E	G	H	S ₁	M ₁	S	W	M	d											
																	Standard	Thin									
KML MML	KMLU MMLU	10	+0.015 0	A=P+E+G	16	16	9	15	5	9	8	M4	—	2	M5	5.5											
		12	+0.018 0														20 30	22	22	12	20	8	10	12	12	M5	12
		15	0																								
		20	+0.021 0														40 50	32	32	19	25	10	18	20	M6	16	
		25	0																								40 50
		30	+0.025 0														40 50	A=P+E+G	50	50	25	34	10	26	30	M8	

Ⓛ D_{H7} tolerance is before the slit machining. Ⓛ For mating, g6, f8 shaft tolerances are recommended. Use of a long wrench is recommended for fastening.

Part Number Example	Part Number	-	P
	KMN10	-	30
	KMLU20	-	30

D	Available Types													
	Pitch Selectable						Pitch Configurable							
	Standard			Thin			Standard			Thin				
	KMN	MMN	AMN	WMN	SMN	KMNU	MMNU	AMNU	WMNU	SMNU	KML	MML	KMLU	MMLU
8	•	•	•	•	•	•	•	•	•	•	•	•	•	•
10	•	•	•	•	•	•	•	•	•	•	•	•	•	•
12	•	•	•	•	•	•	•	•	•	•	•	•	•	•
15	•	•	•	•	•	•	•	•	•	•	•	•	•	•
16	•	•	•	•	•	•	•	•	•	•	•	•	•	•
20	•	•	•	•	•	•	•	•	•	•	•	•	•	•
25	•	•	•	•	•	•	•	•	•	•	•	•	•	•
30	•	•	•	•	•	•	•	•	•	•	•	•	•	•
35	•	•	•	•	•	•	•	•	•	•	•	•	•	•
40	•	•	•	•	•	•	•	•	•	•	•	•	•	•
50	•	•	•	•	•	•	•	•	•	•	•	•	•	•

Included Screws

D	Included Screw (Thin Type has 1 screw on each side.)
8	M5-12, 1 pc.
10	M5-15, 1 pc.
12	M5-15, 1 pc.
15	M5-20, 2 pcs.
16	M5-20, 2 pcs.
20	M6-25, 2 pcs.
25	M6-30, 2 pcs.
30	M8-35, 2 pcs.
35	M8-40, 2 pcs.
40	M8-45, 2 pcs.
50	M10-55, 2 pcs.