

# Post Clamps

## Equal & Unequal Diameter Perpendicular Configuration Split

Features: Post-assembly mounting onto posts for stands in structures.

Post Clamps – Separate / Equal Dia. Perpendicular Configuration



Post Clamps – Separate / Unequal Dia. Perpendicular Configuration



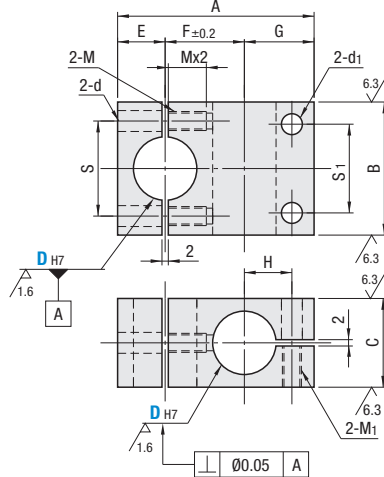
RoHS10

Type		Material	Surface Treatment	Accessories
Equal Dia. Perpendicular Configuration	Unequal Dia. Perpendicular Configuration			
<b>KSBC</b>	<b>KSLC</b>	1018 Carbon Steel or Equivalent	Black Oxide	Hex Socket Head Cap Screws
<b>MSBC</b>	<b>MSLC</b>		Electroless Nickel Plating	Hex Socket Head Cap Screws (Stainless Steel)
<b>ASBC</b>	<b>ASLC</b>	6063 Aluminum Alloy	Black Anodize	Hex Socket Head Cap Screws
<b>SSBC</b>	<b>SSLC</b>	304 Stainless Steel	—	Hex Socket Head Cap Screws (Stainless Steel)

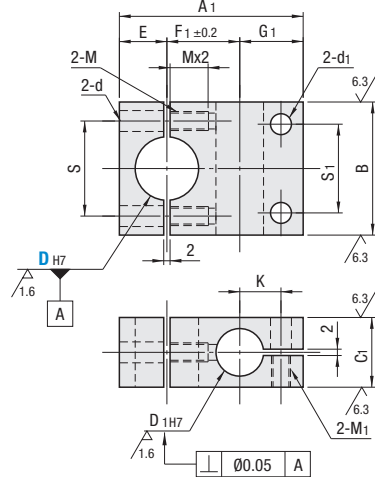
ⓘ CB screws are included with the black oxide and black anodizing, and SCB screws are included with the other products.

6.3 / (6.3/1.6/)

Equal Dia. Perpendicular Configuration



Unequal Dia. Perpendicular Configuration



Part Number		A	A <sub>1</sub>	B	C	C <sub>1</sub>	D <sub>H7</sub>	E	F	F <sub>1</sub>	G	G <sub>1</sub>	H	K	S	d	M (Coarse)	S <sub>1</sub>	d <sub>1</sub>	M <sub>1</sub> (Coarse)	
Type	D <sub>H7</sub>																				
Equal Dia. Perpendicular Configuration	<b>8</b>	+0.015	34	—	25	12	—	—	—	13	—	13	—	8	—	16	—	15	4.5	M4	
	<b>10</b>	0	37	35	—	12	8	—	15	14	14	13	9	8	17	4.5	M4	16	—	M5	
	<b>12</b>	+0.018	42	41	28	16	16	+0.015	10	17	16	15	—	10	—	20	—	18	5.5	—	M5
	<b>15</b>	0	51	45	32	22	18	10	12	21	18	18	—	12	—	23	5.5	M5	22	—	M5
Unequal Dia. Perpendicular Configuration (D <sub>1</sub> ≥ 10)	<b>20</b>	+0.021	62	58	40	28	22	15	+0.018	15	25	23	22	—	20	—	M6	28	—	6.6	M6
	<b>25</b>	0	76	66	45	32	25	15	18	33	28	25	—	18	—	34	—	30	—	9	M6
	<b>30</b>	+0.021	89	79	60	40	30	20	+0.021	23	37	32	29	24	21	44	—	40	—	9	M8
	<b>35</b>	0	101	92	65	45	35	25	26	43	39	32	27	24	19	50	—	45	—	9	M8

Part Number Example: **KSBC15** / **MSLC30**

Part Number Alterations: **ASBC15** - ALW

D	Included Screws
<b>8</b>	M4-15, 2 pcs. / M4-10, 2 pcs.
<b>10</b>	M4-15, 2 pcs. / M5-15, 2 pcs.
<b>12</b>	M4-18, 2 pcs. / M5-15, 2 pcs.
<b>15</b>	M5-20, 2 pcs. / M5-20, 2 pcs.
<b>20</b>	M6-25, 2 pcs. / M6-25, 2 pcs.
<b>25</b>	M6-30, 2 pcs. / M6-25, 2 pcs.
<b>30</b>	M8-35, 2 pcs. / M8-35, 2 pcs.
<b>35</b>	M8-40, 2 pcs. / M8-40, 2 pcs.

ⓘ D<sub>1</sub> side screws included with Unequal Dia. Perpendicular Configuration Type are shorter than listed above.

D	Available Types							
	Equal Dia., Perpendicular Configuration				Unequal Dia., Perpendicular Configuration			
	KSBC	MSBC	ASBC	SSBC	KSLC	MSLC	ASLC	SSLC
<b>8</b>	•	•	•	•	—	—	—	—
<b>10</b>	•	•	•	•	•	•	•	•
<b>12</b>	•	•	•	•	•	•	•	•
<b>15</b>	•	•	•	•	•	•	•	•
<b>20</b>	•	•	•	•	•	•	•	•
<b>25</b>	•	•	•	•	•	•	•	•
<b>30</b>	•	•	•	•	•	•	•	•
<b>35</b>	•	•	—	—	•	•	•	•



# Post Clamps

## Equal Diameter T-Shaped Perpendicular Configuration Split

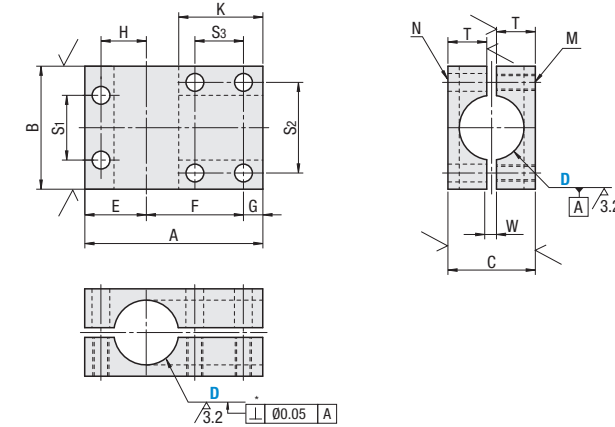
Post Clamps – Equal Dia. T-Shaped Perpendicular Separate Configuration



RoHS10

Type	Material	Surface Treatment	Accessories
<b>KLTTs</b>	1018 Carbon Steel or Equivalent	Black Oxide	Hex Socket Head Cap Screws
<b>MLTTs</b>		Electroless Nickel Plating	
<b>ALTTs</b>	6063 Aluminum Alloy	Black Anodize	
<b>HLTTs</b>		Clear Anodize	
<b>SLTTs</b>	304 Stainless Steel	—	—

6.3 / (3.2/)

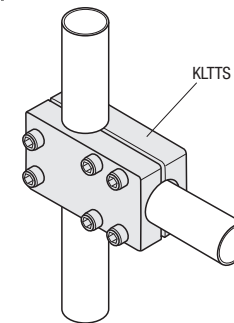


Part Number		A	B	C	E	F	G	H	K	M (Coarse)	N	S <sub>1</sub>	S <sub>2</sub>	S <sub>3</sub>	T	W		
Type	D																	
<b>KLTTs</b> <b>MLTTs</b> <b>ALTTs</b> <b>HLTTs</b> <b>SLTTs</b>	<b>10</b>	35	25	17	14	13	8	9	16	M5	5.5	15	16.5	—	8	1		
	<b>12</b>	40	—	19	15	16	9	10	19			16	20	—	9	—	—	
	<b>15</b>	50	32	—	22	16	28	—	26.5			18	22	—	15	—	10	2
	<b>20</b>	55	38	27	19	30	—	—	26			20	28	—	18	—	12	—
	<b>25</b>	65	44	35	22	37	—	—	30.5			22	34	—	22	—	16	—
	<b>30</b>	75	50	41	25	44	—	—	35			26	40	—	26	—	19	—

- ⓘ The perpendicularity is the tolerance before slitting.
- ⓘ For mating, g<sub>6</sub>, f<sub>6</sub> shaft tolerances are recommended. Use of a long wrench is recommended for fastening.
- ⓘ D dimension 30 is not available for ALTTs. SLTTs is only available from 10-20.

Part Number Example: **KLTTs15**

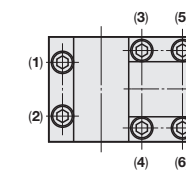
Application Example



ⓘ Example

Temporary tighten the screws in order of (1) to (6) before final tightening.

(If the shaft on one side is fully tightened first, tightening the other shaft may become difficult.)



### Included Screws

D	KLTTs ALTTs	MLTTs HLTTs SLTTs
<b>10</b>	CB5-16, 4 pcs.	SCB5-16, 4 pcs.
<b>12</b>	CB5-18, 4 pcs.	SCB5-18, 4 pcs.
<b>15</b>	CB5-20, 6 pcs.	SCB5-20, 6 pcs.
<b>20</b>	CB5-25, 6 pcs.	SCB5-25, 6 pcs.
<b>25</b>	CB5-30, 6 pcs.	SCB5-30, 6 pcs.
<b>30</b>	CB5-35, 6 pcs.	SCB5-35, 6 pcs.