

Post Clamps

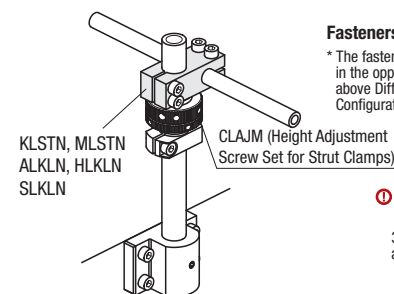
Unequal Diameter Perpendicular Configuration / Reversed

Post Clamps – Unequal Diameter Perpendicular Configuration / Reversed



RoHS 10

Application Example



Unequal Dia., Perpendicular Configuration, Reversed

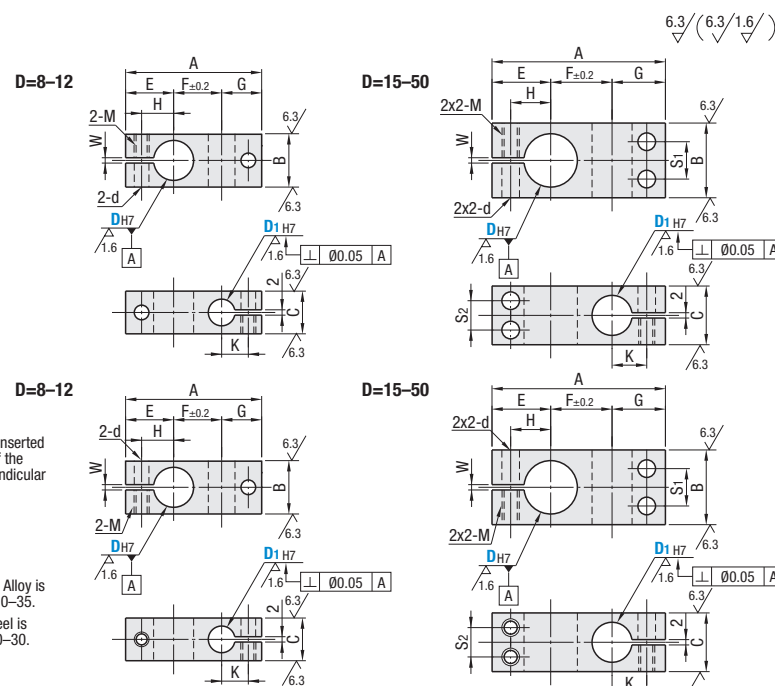
Fasteners Reversed
*The fastening screws are inserted in the opposite direction of the above Different Dia. Perpendicular Configuration

① 6063 Aluminum Alloy is applicable to D10–35.
304 Stainless Steel is applicable to D10–30.

Type		Material	Surface Treatment	Accessories
Unequal Dia., Perpendicular Configuration	Unequal Dia., Perpendicular Configuration, Reversed			
KLSTN	KLSTK	1018 Carbon Steel or Equivalent	Black Oxide	Hex Socket Head Cap Screws
MLSTN	MLSTK		Electroless Nickel Plating	Hex Socket Head Cap Screws (Stainless Steel)
ALKLN	ALKLK	Aluminum Alloy	Black Anodize	Hex Socket Head Cap Screws
HLKLN	—		Clear Anodize	Hex Socket Head Cap Screws (Stainless Steel)
SLKLN	SLKLN	304 Stainless Steel	—	Hex Socket Head Cap Screws (Stainless Steel)

① CB screws are included with the black oxide and black anodized products, and SCB screws are included with the other products.

Unequal Dia., Perpendicular Configuration



Part Number		D _{H7}	D _{H7}	A	B	C	E	F	G	H	K	S ₁	S ₂	M (Coarse)	d	W	
Type	Unequal Dia., Perpendicular Configuration, Reversed																
Unequal Dia., Perpendicular Configuration	8	+0.015 0	6	+0.012 0	37	12	9	13	12	12	8	7	—	—	M4	4.5	2
	10	+0.018 0	8	+0.015 0	43	16	12	15	14	14	9	8	—	—	M5	5.5	
	12		10	+0.018 0	47	16	16	16	16	15	10	9	—	—	M5	5.5	
	15	+0.021 0	15	+0.018 0	51	22	18	18	18	15	12	9	11	9	M6	6.6	
	20		16	+0.018 0	65	28	22	22	23	20	15	13	14	11	M6	6.6	
	25		15	+0.018 0	73	32	25	25	28	20	18	13	16	14	M6	6.6	
30	+0.025 0	20	+0.021 0	85	40	30	29	32	24	21	16	20	15	M8	9		
35		25	+0.021 0	98	45	35	32	39	27	24	19	24	20	M8	9		
KLSTN	KLSTK	+0.025 0	40	+0.021 0	106	50	40	34	43	29	26	21	25	20	M8	9	3
			50	+0.025 0	130	65	50	43	52	35	33	25	32	28	M10	11	

- ① D Dimension for SLKLN and SLKLN is available up to 30. ① D Dimension 8 is not available for ALKLN, ALKLN, HLKLN, SLKLN, or SLKLN.
- ① The tolerance and perpendicularity of D_{H7}, D_{H7} are the tolerances before slitting. ① D, Dimension 16 is not available for HLKLN and Reversed Type.
- ① For mating, g6, f8 shaft tolerances are recommended. Use of a long wrench is recommended for fastening.

Part Number Example: **KLSTN20 - 15**

Included Screws

D	Included Screws
8	M4-8 / M4-12, 1pc. each
10	M5-12 / M5-10, 1pc. each
12	M5-15, 2 pcs.
15	M5-20 / M5-15, 2pcs. each
20	M6-25 / M6-20, 2pcs. each
25	M6-30 / M6-25, 2pcs. each
30	M8-35 / M8-30, 2pcs. each
35	M8-40 / M8-35, 2pcs. each
40	M8-45 / M8-40, 2pcs. each
50	M10-55 / M10-45, 2pcs. each

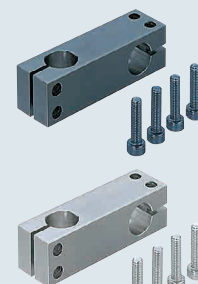


Post Clamps

Equal & Unequal Diameter Perpendicular Hole Pitch Selectable

Feature: Selectable shaft pitch between two posts for stands.

Post Clamps – Equal Dia. Perpendicular Hole Pitch Selection



Post Clamps – Unequal Dia. Perpendicular Hole Pitch Selection

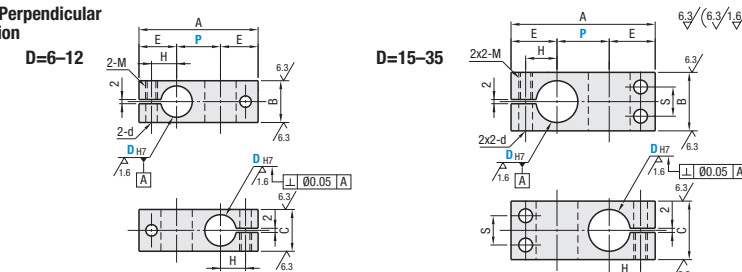


RoHS 10

Type		Material	Surface Treatment	Accessories
Same Dia. Perpendicular Configuration	Different Dia. Perpendicular Configuration			
KMKC	KMKD	1018 Carbon Steel or Equivalent	Black Oxide	Hex Socket Head Cap Screws
MMKC	MMKD		Electroless Nickel Plating	Hex Socket Head Cap Screws (Stainless Steel)
AMKC	AMKD	Aluminum Alloy	Black Anodize	Hex Socket Head Cap Screws
HMKC	HMKD		Clear Anodize	Hex Socket Head Cap Screws (Stainless Steel)
SMKC	SMKD	304 Stainless Steel	—	Hex Socket Head Cap Screws (Stainless Steel)

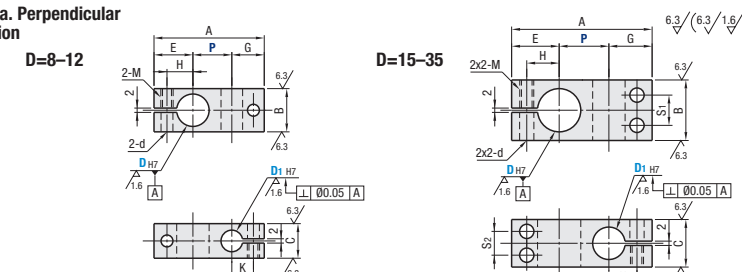
① CB screws are included with the black oxide and black anodizing, and SCB screws are included with the other products.

Equal Dia. Perpendicular Configuration



P Dimension Tolerance: JIS B 0405 Medium Class (P.4003)

Unequal Dia. Perpendicular Configuration



P Dimension Tolerance: JIS B 0405 Medium Class (P.4003)

Equal Dia. Perpendicular Hole Pitch Selection

Part Number		D _{H7}	D _{H7}	P Selection	A	B	C	E	H	S	M	d
Type	Equal Dia. Perpendicular Configuration											
KMKC MMKC AMKC HMKC SMKC	6	+0.012 0	10 15 20	A=P+(2 x E)	10	10	10	12	7	—	M4	4.5
	8	+0.015 0	10 15 20 25									
	10	+0.015 0	15 20 25 30									
	12	+0.018 0	20 25 30 40									
	15	+0.018 0	25 30 40 50									
	20	+0.021 0	30 40 50 75									
25	+0.021 0	50 75 100 150										
30	+0.025 0											
35	+0.025 0											

① The tolerance and perpendicularity of D_{H7} is before slitting. ① Recommended tolerances of mating shafts are g6, f8. Use of a long wrench is recommended for fastening.

Unequal Dia. Perpendicular Hole Pitch Selection

Part Number		D _{H7}	D _{H7}	P Selection	A	B	C	E	G	H	K	S ₁	S ₂	M	d	
Type	Unequal Dia. Perpendicular Configuration															
KMKD MMKD AMKD HMKD SMKD	8	+0.015 0	6	+0.012 0	A=P+E+G	12	9	13	12	8	7	—	—	M4	4.5	
	10	+0.018 0	8	+0.015 0												15 20 25
	12		10	+0.015 0												15 20 25 30
	15	+0.021 0	15	+0.018 0												20 25 30 40
	20															25 30 40 50
	25															30 40 50 75
30	+0.025 0	20	+0.021 0	50 75 100 150												
35				25	+0.025 0											

① D Dimension for SMKD & AMKC is available up to 30. ① D Dimension 8 is not available for AMKD and SMKD. ① The tolerance and perpendicularity of D_{H7}, D_{H7} is the tolerances before slitting. ① Recommended tolerances of mating shafts are g6, f8. Use of a long wrench is recommended for fastening. ① D Dimension 6 is only available for KMKC & MMKC. D Dimension 30 is not available for SMKC.

Part Number Example: **KMKC10 - 20**
MMKD20 - 15 - 30

Included Screws

D	Included Screws	
	Equal Dia. Perpendicular Configuration	Unequal Dia. Perpendicular Configuration
6	M4-10, 2 pcs.	—
8	M5-12, 2 pcs.	M4-8 / M4-12, 1pc. each
10	M5-15, 2 pcs.	M5-12 / M5-10, 1pc. each
12	M5-15, 2 pcs.	M5-20, 2 pcs.
15	M5-20, 4 pcs.	M5-20 / M5-15, 2pcs. each
20	M6-25, 4 pcs.	M6-25 / M6-20, 2pcs. each
25	M6-30, 4 pcs.	M6-30 / M6-25, 2pcs. each
30	M8-35, 4 pcs.	M8-35 / M8-30, 2pcs. each
35	M8-40, 4 pcs.	M8-40 / M8-35, 2pcs. each