



# Compact Post Clamps

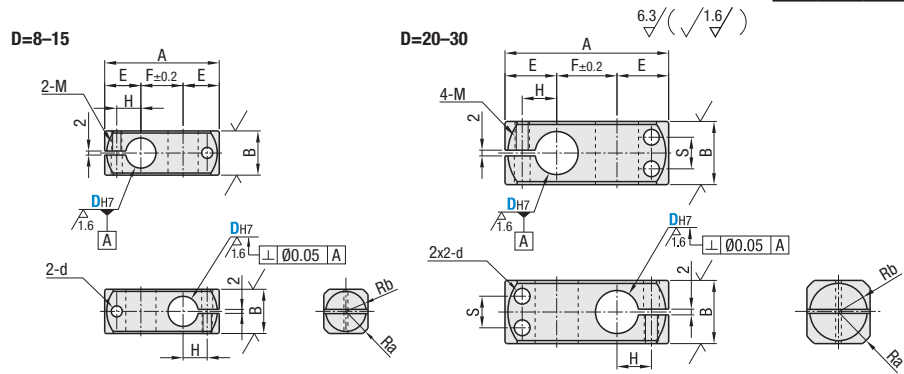
## Equal / Unequal Diameter Perpendicular Configurations

### Compact Post Clamps – Equal Dia. Perpendicular Configuration



RoHS 10

Type	Material	Surface Treatment	Accessories	D	A	F
<b>KDSTR</b>	1018 Carbon Steel or Equivalent	Black Oxide	Hex Socket Head Cap Screws	8	39	11
<b>MDKTR</b>		Electroless Nickel Plating	Hex Socket Head Cap Screws (Stainless Steel Equivalent)	10	43	13
<b>ALKDR</b>	Aluminum Alloy	Black Anodize	Hex Socket Head Cap Screws	15	55	19
<b>HLKDR</b>		Clear Anodize	Hex Socket Head Cap Screws (Stainless Steel)	20	69	23
<b>SLKDR</b>	304 Stainless Steel	—	Hex Socket Head Cap Screws (Stainless Steel)	25	83	31
				30	95	35

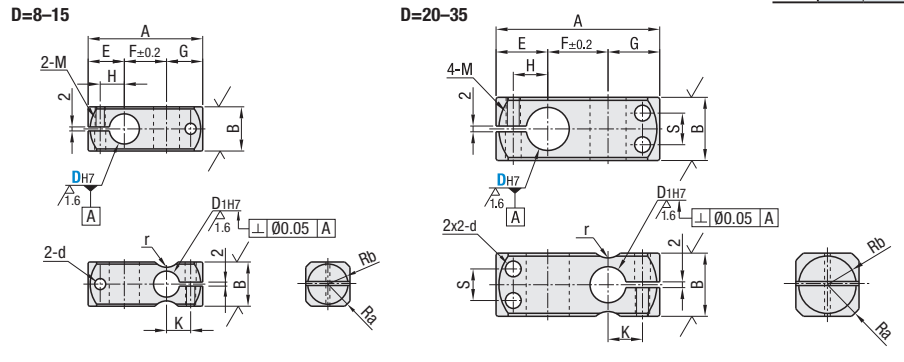


### Compact Strut Clamps – Unequal Dia. Perpendicular Configuration



RoHS 10

Type	Material	Surface Treatment	Accessories	D	A	F
<b>KLSTNR</b>	1018 Carbon Steel or Equivalent	Black Oxide	Hex Socket Head Cap Screws	8	39	12
<b>MLSTNR</b>		Electroless Nickel Plating	Hex Socket Head Cap Screws (Stainless Steel)	10	43	14
<b>ALKLNR</b>	6063 Aluminum Alloy	Black Anodize	Hex Socket Head Cap Screws	12	47	16
<b>HLKLN</b>		Clear Anodize	Hex Socket Head Cap Screws (Stainless Steel)	15	51	18
<b>SLKLN</b>	304 Stainless Steel	—	Hex Socket Head Cap Screws (Stainless Steel)	20	66	23
				25	74	28
				30	87	32
				35	100	39



Part Number	Type	D <sub>H7</sub>	Dimensions										d	M (Coarse)								
			D <sub>H7</sub>	B	E	G	H	K	Ra	Rb	r	S										
Equal Dia. Perpendicular Configuration <b>KDSTR</b> <b>MDKTR</b> <b>ALKDR</b> <b>HLKDR</b> <b>SLKDR</b>	Unequal Dia. Perpendicular Configuration <b>KLSTNR</b> <b>MLSTNR</b> <b>ALKLNR</b> <b>HLKLN</b> <b>SLKLN</b>	8	+0.015	6	+0.012	12	14	13	8	7	7.6	5	3	5.5	M5							
		10	0	8	0	15	14	9	8	9.8	7	4	6.6			M6						
		12	+0.018	10	+0.015	16	16	10	8	10.4	—	—					9	M8				
		15	0	10	0	22	18	15	9	13.8	10	5							11	14		
		20	+0.021	15	+0.018	28	23	20	15	17.7	13	7.5									16	20
		25	0	15	0	32	26	20	18	20.9	15	7.5										
30	+0.021	20	+0.021	40	30	25	16	25.6	19	10	21	25										
35	+0.025	25	0	45	33	28	19	29.1	21.5	12.5			24	24								

- ⓘ ALKLN35, KDSTR35, KLSTNR35, MDKTR35, SLKDR35 has been discontinued.
- ⓘ D dimension 35 is only applicable to MLSTNR and SLKLN.
- ⓘ The tolerance and perpendicularity of D<sub>H7</sub>, D<sub>H7</sub> is the tolerances before slitting.
- ⓘ Recommended tolerances of mating shafts are g6, f8. Use of a long wrench is recommended for fastening.

Part Number Example: **KDSTR20**  
Part Number: **KLSTNR20**

D	Included Screws	
	Equal Dia., Perpendicular Config.	Unequal Dia., Perpendicular Config.
8	M5-12, 2 pcs.	M5-12, 4 pcs.
10	M5-15, 2 pcs.	M5-15, 4 pcs.
12	M5-15, 2 pcs.	M5-15, 4 pcs.
15	M6-20, 2 pcs.	M6-20, 4 pcs.
20	M6-25, 2 pcs.	M6-25, 4 pcs.
25	M6-30, 2 pcs.	M6-30, 4 pcs.
30	M8-35, 2 pcs.	M8-35, 4 pcs.
35	—	M8-40, 4 pcs.

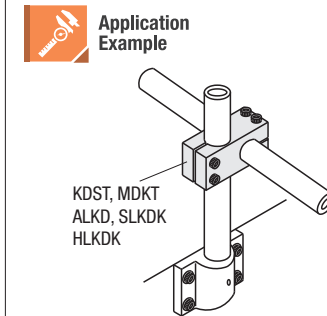
# Post Clamps

## Equal Diameter Perpendicular Configuration / Reversed

### Post Clamps – Equal Diameter Perpendicular Configuration / Reversed



RoHS 10



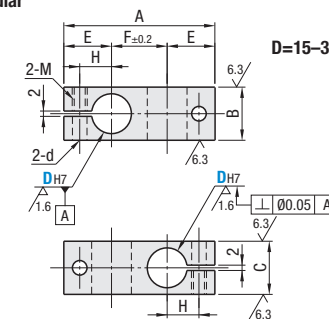
ⓘ 6063 Aluminum Alloy is applicable to D8-35. 304 Stainless Steel is applicable to D8-30.

Equal Dia. Perpendicular Configuration	Type	Material	Surface Treatment	Accessories
<b>KDST</b>	<b>KDSTK</b>	1018 Carbon Steel or Equivalent	Black Oxide	Hex Socket Head Cap Screws
<b>MDKT</b>	<b>MDKTK</b>		Electroless Nickel Plating	Hex Socket Head Cap Screws (Stainless Steel Equivalent)
<b>ALKD</b>	<b>ALKDK</b>	Aluminum Alloy	Black Anodize	Hex Socket Head Cap Screws
<b>HLKD</b>	<b>HLKDK</b>		Clear Anodize	Hex Socket Head Cap Screws (Stainless Steel)
<b>SLKD</b>	<b>SLKDK</b>	304 Stainless Steel	—	Hex Socket Head Cap Screws (Stainless Steel)

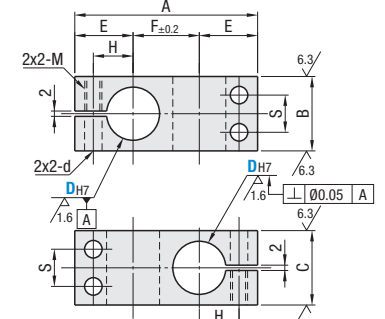
ⓘ CB screws are included with the black oxide and black anodized products, and SCB screws are included with the other products

### Equal Dia., Perpendicular Configuration

D=6-12

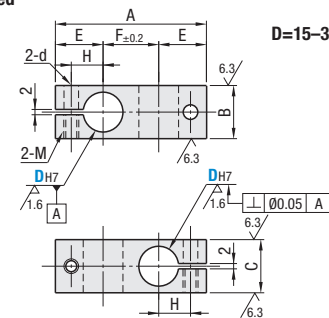


D=15-35

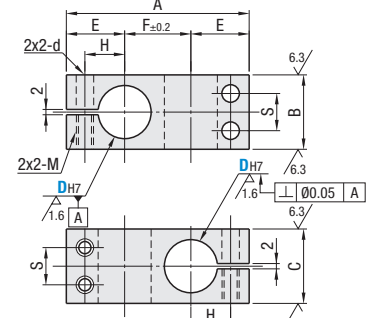


### Equal Dia., Perpendicular Configuration, Reversed

D=6-12



D=15-35



### Fasteners Reversed

\* The fastening screws are inserted in the opposite direction of the above Same Dia. Perpendicular Configuration.

Part Number	Type	D <sub>H7</sub>	Dimensions										d	M (Coarse)
			A	B	C	E	F	H	S	M (Coarse)	d			
Equal Dia., Perpendicular Configuration <b>KDST</b> <b>MDKT</b> <b>ALKD</b> <b>HLKD</b> <b>SLKD</b>	Equal Dia., Perpendicular Configuration, Reversed <b>KDSTK</b> <b>MDKTK</b> <b>ALKDK</b> <b>HLKDK</b> <b>SLKDK</b>	6	+0.012	34	10	10	12	10	7	—	M4	4.5		
		8	+0.015	41	12	12	14	13	8	—	M5	5.5		
		10	0	45	16	16	15	15	9	—				
		12	+0.018	49	16	16	16	17	10	—				
		15	0	57	22	22	18	21	12	11				
		16	+0.018	57	22	22	18	21	12	11				
		20	+0.021	69	28	28	22	25	15	14			M6	6.6
		25	0	83	32	32	25	33	18	16	M8	9		
		30	+0.025	95	40	40	29	37	21	20				
		35	0	107	45	45	32	43	24	24				

- ⓘ D Dimension for SLKD and SLKDK is available up to 30.
- ⓘ D Dimension 6 is not available for ALKD, ALKDK, HLKD, HLKDK, SLKD and SLKDK.
- ⓘ The tolerance and perpendicularity of D<sub>H7</sub> is before slitting.
- ⓘ D, Dimension 16 is not available for HLKD and Reversed Type.
- ⓘ For mating, g6, f8 shaft tolerances are recommended. Use of a long wrench is recommended for fastening.

Part Number Example: **KDST20**

### Included Screws

D	Included Screws
6	M4-10, 2 pcs.
8	M5-12, 2 pcs.
10	M5-15, 2 pcs.
12	M5-15, 2 pcs.
15	M5-20, 4 pcs.
16	M5-20, 4 pcs.
20	M6-25, 4 pcs.
25	M6-30, 4 pcs.
30	M8-35, 4 pcs.
35	M8-40, 4 pcs.