



Rollers

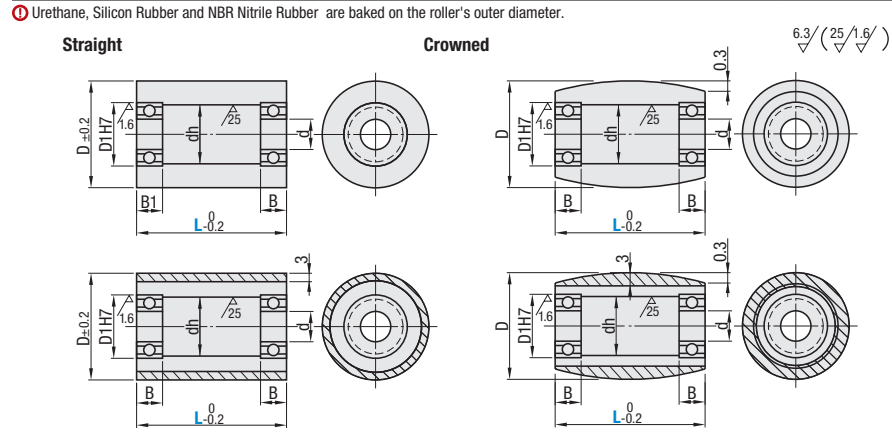
Bearing Type (L=15-100)



RoHS 10

For detailed bearing dimensions, see P.1018-1019, 1028-1029.

Type	Material		Surface Treatment (Lining)	Bearing	Hardness
	Straight	Crowned			
L Selectable	L Configurable	L Selectable	Core		
RORB	ROFRB	ROCRB	1045 Carbon Steel or Equivalent	Steel	—
RORM	ROFRM	ROCRM	304 Stainless Steel	Steel	—
RORS	ROFRS	ROCRS	Aluminum Alloy	Steel	—
RORA	ROFRA	ROCRA	304 Stainless Steel	Steel	—
RORKS	—	—	Aluminum Alloy	Steel	Shore A95
RORKA	—	—	304 Stainless Steel	Stainless Steel	Shore A90
RORUS	ROFRUS	ROCRUS	Aluminum Alloy	Steel	Shore A70
RORUZ	—	—	304 Stainless Steel	Steel	Shore A50
RORUA	ROFRUA	ROCRUA	Aluminum Alloy	Steel	Shore A70
RORUP	—	—	MC Nylon	Steel	Shore A70
RORGS	—	ROCRGS	304 Stainless Steel	Steel	Shore A70
RORGA	ROFRGA	ROCRGA	Aluminum Alloy	Steel	Shore A70
RORHS	—	ROCRHS	304 Stainless Steel	Steel	Shore A70
RORHA	ROFRHA	—	Aluminum Alloy	Steel	Shore A70
RORSS	ROFRSS	ROCRSS	304 Stainless Steel	Steel	Shore A70
RORSA	—	—	Aluminum Alloy	Steel	Shore A50
RORJS	—	—	304 Stainless Steel	Steel	Shore A70
RORJA	—	—	Aluminum Alloy	Steel	Shore A70
RORWS	—	—	304 Stainless Steel	Steel	Shore A90
RORTS	ROFRTS	—	Aluminum Alloy	Steel	Shore A90
RORTA	—	—	304 Stainless Steel	Steel	Shore A90
RORNS	—	—	Aluminum Alloy	Steel	Shore A60
RORNA	—	—	304 Stainless Steel	Steel	Shore A60



Type	No.	D	L										d	D _{1 (HT)}	dh	B	Bearing Used		
			15	20	25	30	40	50	60	70	80	90						100	
Straight Core Material Only	(20)	20	15	20	25	30	40	50							6	15	10	5	696ZZx2
		25	25	20	25	30	40	50	60	70	80	90	100		6	15	10	5	696ZZx2
		30	30	20	25	30	40	50	60	70	80	90	100		8	19	15	6	698ZZx2
		35A	35	25	30	40	50								8	22	15	7	608ZZx2
		35	35	25	30	40	50	60	70	80	90	100		10	22	18	6	6900ZZx2	
		40A	40	25	30	40	50							10	26	18	8	6000ZZx2	
		40	40	25	30	40	50	60	70	80	90	100		12	28	24	8	6001ZZx2	
		50A	50	25	30	40	50							12	32	24	10	6201ZZx2	
		50	50	25	30	40	50	60	70	80	90	100		15	32	28	9	6002ZZx2	

D20 is only applicable to Core Only Types (RORB, RORM, RORS, RORA, ROCRB, ROCRM, ROCRS and ROCRA).
 No.35A, 40A, 50A are not available for RORUP.

L Configurable (Straight Only)

Type	No.	D	L=1mm Increment	d	D _{1 (HT)}	dh	B	Bearing Used
30	30		8	19	15	6	698ZZx2	
35A	35		10	22	18	7	608ZZx2	
35	35		10	22	18	6	6900ZZx2	
40A	40		12	26	24	8	6000ZZx2	
40	40		12	28	24	8	6001ZZx2	
50A	50		12	32	24	10	6201ZZx2	
50	50		15	32	28	9	6002ZZx2	

Urethane may discolor over time, but there is no effect on physical properties.

Rollers

Bearing Type (L=15-100), continued

Part Number Example: RORSS40 - L 38

L Selectable

D	L	Available Types																
		Straight																
		Core Only				Urethane				Silicon								
		RORB	RORM	RORS	RORA	RORKS	RORKA	RORUS	RORUZ	RORUA	RORUP	RORGS	RORGA	RORSS	RORSA	RORJS	RORJA	RORWS
20	15-25	*	*	*	*	—	—	—	—	—	—	—	—	—	—	—	—	—
	30-50	*	*	*	*	—	—	—	—	—	—	—	—	—	—	—	—	—
25	20-25	*	*	*	*	*	*	*	*	*	*	*	*	*	*	*	*	*
	30-50	*	*	*	*	*	*	*	*	*	*	*	*	*	*	*	*	*
30	60-100	*	*	*	*	*	*	*	*	*	*	*	*	*	*	*	*	*
	20-25	*	*	*	*	*	*	*	*	*	*	*	*	*	*	*	*	*
35	30-50	*	*	*	*	*	*	*	*	*	*	*	*	*	*	*	*	*
	60-100	*	*	*	*	*	*	*	*	*	*	*	*	*	*	*	*	*
35A	25	*	*	*	*	*	*	*	*	*	*	*	*	*	*	*	*	*
	30-50	*	*	*	*	*	*	*	*	*	*	*	*	*	*	*	*	*
40	60-100	*	*	*	*	*	*	*	*	*	*	*	*	*	*	*	*	*
	25	*	*	*	*	*	*	*	*	*	*	*	*	*	*	*	*	*
40A	30-50	*	*	*	*	*	*	*	*	*	*	*	*	*	*	*	*	*
	60-100	*	*	*	*	*	*	*	*	*	*	*	*	*	*	*	*	*
50	25	*	*	*	*	*	*	*	*	*	*	*	*	*	*	*	*	*
	30-50	*	*	*	*	*	*	*	*	*	*	*	*	*	*	*	*	*
50A	60-100	*	*	*	*	*	*	*	*	*	*	*	*	*	*	*	*	*

D	L	Available Types															
		Straight				Crowned				Urethane				Silicon			
		Heat Resistant Urethane		NBR Nitrile Rubber		Core Only		Urethane		Silicon		Heat Resistant Urethane					
		RORTS	RORTA	RORNS	RORNA	ROCRB	ROCRM	ROCRS	ROCRGA	ROCRUS	ROCRUA	ROCRGA	ROCRGS	ROCRHS	ROCRSS		
20	15-25	—	—	—	—	*	*	*	*	—	—	—	—	—	—		
	30-50	—	—	—	—	*	*	*	*	—	—	—	—	—	—		
25	20-25	*	*	*	*	*	*	*	*	*	*	*	*	*	*		
	30-50	*	*	*	*	*	*	*	*	*	*	*	*	*	*		
30	20-25	*	*	*	*	*	*	*	*	*	*	*	*	*	*		
	30-50	*	*	*	*	*	*	*	*	*	*	*	*	*	*		
35	25	*	*	*	*	*	*	*	*	*	*	*	*	*	*		
	30-50	*	*	*	*	*	*	*	*	*	*	*	*	*	*		
35A	25	*	*	*	*	*	*	*	*	*	*	*	*	*	*		
	30-50	*	*	*	*	*	*	*	*	*	*	*	*	*	*		
40	25	*	*	*	*	*	*	*	*	*	*	*	*	*	*		
	30-50	*	*	*	*	*	*	*	*	*	*	*	*	*	*		
40A	30-50	*	*	*	*	*	*	*	*	*	*	*	*	*	*		
	60-100	*	*	*	*	*	*	*	*	*	*	*	*	*	*		
50	25	*	*	*	*	*	*	*	*	*	*	*	*	*	*		
	30-50	*	*	*	*	*	*	*	*	*	*	*	*	*	*		
50A	60-100	*	*	*	*	*	*	*	*	*	*	*	*	*	*		

L Configurable

D	L	Available Types									
		Straight									
		Core Only				Urethane		Silicon		Heat Resistant Urethane	
		ROFRB	ROFRM	ROFRS	ROFRA	ROFRUS	ROFRUA	ROFRGA	ROFRHA	ROFRSS	ROFRTS
25	21-25	*	*	*	*	*	*	*	*	*	*
	26-49	*	*	*	*	*	*	*	*	*	*
30	21-25	*	*	*	*	*	*	*	*	*	*
	26-49	*	*	*	*	*	*	*	*	*	*
35	26-49	*	*	*	*	*	*	*	*	*	*
	26-49	*	*	*	*	*	*	*	*	*	*
40	26-49	*	*	*	*	*	*	*	*	*	*
	26-50	*	*	*	*	*	*	*	*	*	*
50	26-50	*	*	*	*	*	*	*	*	*	*
	51-99	*	*	*	*	*	*	*	*	*	*

Part Number Alterations: RORNS40 - L 50 - (UDC, SB)

Alterations	Code	Spec.
Change to Antistatic Urethane (Urethane Color: Gray)	UDC	Urethane Shore A90 to Antistatic Urethane Ordering Code: UDC Specific Volume Resistivity 2.1 x 10 ⁸ Ωcm Surface Resistivity 4.0 x 10 ⁹ Ω (Temperature 30°C/Humidity 60%)

Alterations	Code	Spec.
Bearing Material	SB	Bearing material is changed to Stainless Steel. Ordering Code: SB Not applicable to RORUZ