

Hinge Bases

Center Fulcrum Type

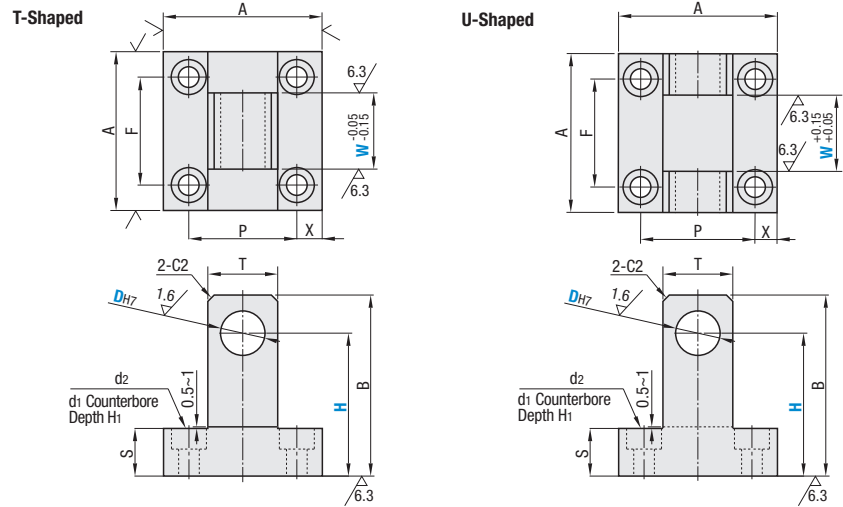
Feature: Can be used as a cylinder clevis.

Thick Wall Hinge Bases – Center Fulcrum Type



RoHS 10

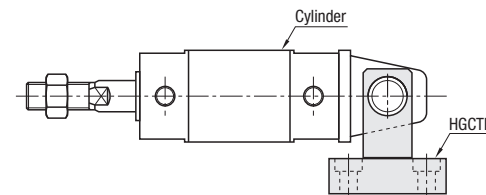
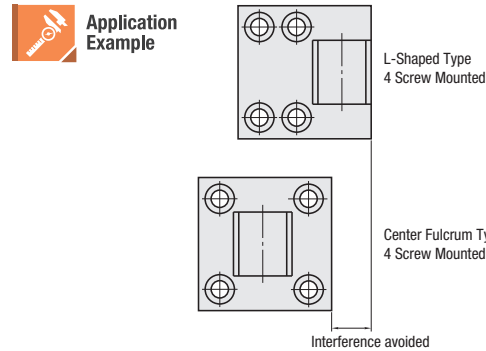
Type		Material	Surface Treatment
T-Shaped	U-Shaped		
HGCNB	HGCTB	1045 Carbon Steel or Equivalent	Black Oxide
HGCNM	HGCTM		Electroless Nickel Plating
HGCNS	HGCTS	304 Stainless Steel	—



Part Number		W		H		A	F	P	X	B	S	T	d ₂	d ₁	H ₁
Type	D _{H7}	1 mm Increment	5 mm Increment												
T-Shaped HGCNB HGCNM HGCNS	U-Shaped HGCTB HGCTM HGCTS	3	3-6	15-25	28	18	18	5	H+5	8	9	4.5	8	4.5	
		4	4-8	20-30	32	22	22		H+6	10					
		5	5-10	25-35	38	27	27	5.5	H+8	12	16	5.5	9.5	5.5	
		6	6-12	30-40	45	32	32	6.5	H+10	14	19	6.5	11	6.5	
		8	8-16	35-45	50	35	35	7.5	H+12	15	22	6.5	11	6.5	
		10	10-18	40-50	60	40	40	10	H+14	18	25	9	14	9	
		12	12-30		65	45	45		H+17	18	30	9	14	9	
		13	13-30												
		14	14-24												
		15	15-24												

Part Number Example

Part Number	-	W	-	H
HGCNB12	-	W12	-	H35
HGCTS20	-	W20	-	H40



Features: The hinge base can be used as a cylinder mount.

Hinge Bases

Fixed Dimension, T-Shaped / U-Shaped

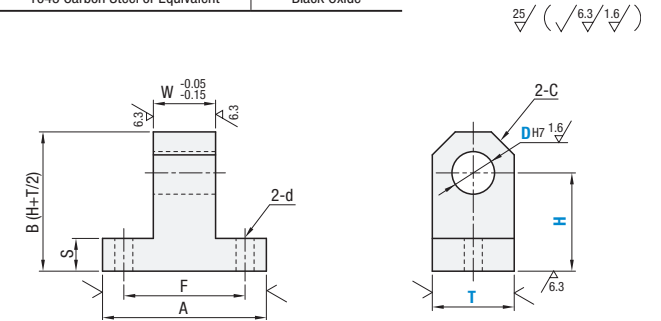
Feature: Hinge Bases in stock whose T (thickness) and H (height) to D_{H7} are selectable from two dimensions.

Hinge Bases – T-Shaped



RoHS 10

Type	Material	Surface Treatment
HKNKB	1045 Carbon Steel or Equivalent	Black Oxide



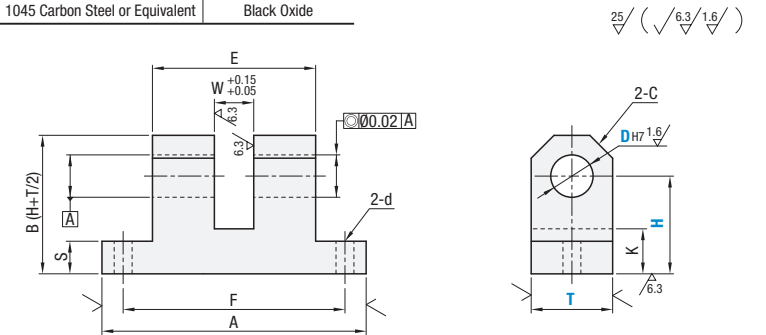
Part Number		T Selection	H Selection		W	A	F	S	d	C	
Type	D _{H7}										
HKNKB	5	12	20	25	6	25	18	5	4.5	3	
		16								4	
	6	12	20	25	8	32	25	10	5.5	3	
		16								4	
	8	16		25	30	10	32	25	10	5.5	4
		19									5
	10	16		25	30	12	32	25	10	5.5	4
		19									5
	12	19		30	35	12	32	25	10	5.5	5
		22									6

Hinge Bases – U-Shaped



RoHS 10

Type	Material	Surface Treatment
HKNKJB	1045 Carbon Steel or Equivalent	Black Oxide



Part Number		T Selection	H Selection		W	A	F	E	K	S	d	C	
Type	D _{H7}												
HKNKJB	5	12	20	25	6	38	30	22	12	5	4.5	3	
		16										4	
	6	12	20	25	8	50	40	30	14	10	5.5	3	
		16										4	
	8	16		25	30	10	65	55	42	14	10	5.5	4
		19											5
	10	16		25	30	12	65	55	42	14	10	5.5	4
		19											5
	12	19		30	35	12	65	55	42	14	10	5.5	5
		22											6

Part Number Example

Part Number	-	T	-	H
HKNKB8	-	T16	-	H25

