


Links

3-Hole Type

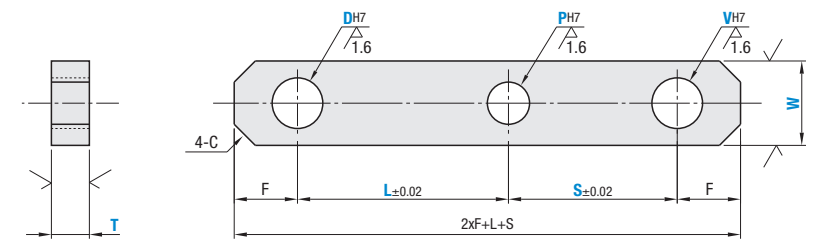
Feature: 3-Hole Type can specify dimensions in 1mm increments.

Links - 3-Hole Type



Type	Material	Surface Treatment
LNFTB	1045 Carbon Steel or Equivalent	Black Oxide
LNFTM		Electroless Nickel Plating
LNFTS	304 Stainless Steel	—

$25 / (\sqrt{1.6})$



T Dimension Tolerance

T	5-16	19-22
	-0.3-0	-0.33-0

⊖ L≥S ⊖ When D≥P, W≥D+4.
When P>D, W≥P+4 is required.

Link (3-Hole)

Part Number	Type	*D _{H7}	P _{H7} 1 mm Increment	V _{H7} 1 mm Increment	L 1 mm Increment	S 1 mm Increment	*W 1 mm Increment	T	F	C
LNFTB LNFTM LNFTS		3-20		3-20 V≤D	10-150 (L≥S)	10-150 (S≤L)	10-20	5 6	5	3
							10-30	5 6 9	6	
							20-30	5 6 9 10	8	
							20-30	9 10 12 16	9	
							20-30	9 10 12 16	10	
							20-40	9 10 12 16	12	5
							20-40	9 10 12 16	14	
							20-40	9 10 12 16	15	
							30-200 (L≥S)	9 10 12 16 19	18	8
							30-200 (S≤L)	9 10 12 16 19 22		

*When D≥P, W≥D+4 is required. When P>D, W≥P+4 is required.

Part Number Example
LNFTB10 - P8 - V10 - L100 - S50 - W20 - T9

Part Number Alterations
LNFTB20 - P18 - V18 - L50 - S30 - W40 - T16 - TPD


Alterations	Tapping		
	TPD	TPP	TPV
Code	TPD / TPP / TPV		
Spec.	Adds tapped holes at D, P and V.		
	Applicable Possible Dimension		
	D/P/V	W	Tightening Screw M (Included)
	12	24-30	M4
	13	25-30	
	14	26-40	
	15	27-40	
	16	28-40	
	18	36-40	M5
	20	38-50	
	25	43-60	

Links

Bent / Standard Type

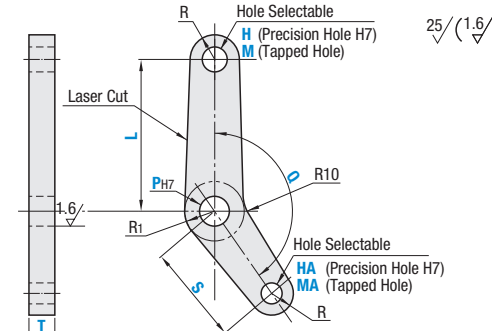
Feature: Bent Type has various selections for angle and hole specifications.

Link - Bent Type



Type	Material	Surface Treatment
LKBK	General Structure Steel	Black Oxide
LKBM		Electroless Nickel Plating

$25 / (\sqrt{1.6})$




Hole Type	
H, HA, M, MA	R
3	3
4	4.5
5	5
6	6.5
8	8.5
10	10
12	11.5
16	14.5

Part Number	Type	P	L 1 mm Increment	S 1 mm Increment	Specify Q in 1° Increment	Hole Selection	T	R ₁
LKBK LKBM		4-25	40-100	30-100	90-180	H HA M MA	3-6	P/2+6

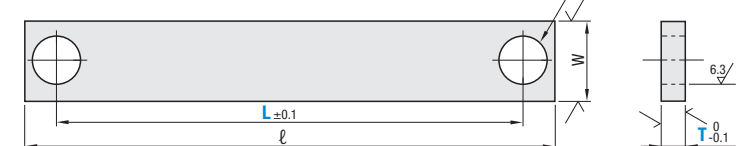
Part Number Example
LKBK10 - L80 - S35 - Q130 - H8 - HA8 - T5

Link - Standard Type



Type	Material	Surface Treatment
LINB	1018 Carbon Steel or Equivalent	Black Oxide
LINM		Electroless Nickel Plating
LINS	304 Stainless Steel	—

$25 / (\sqrt{6.3})$



Part Number	Type	D	L 1 mm Increment	T Selection	W	l
LINB LINM LINS		3-25	10-150	5-9	10-32	L+8 to L+50

Part Number Example
LINS10 - L80 - T9