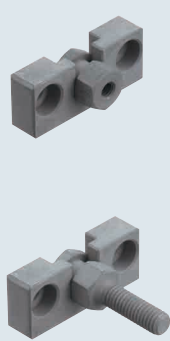


# Floating Joints – Quick Connection Type

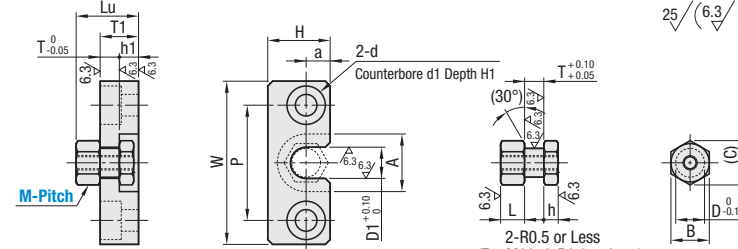
## Cylinder Connector and Holder Set

Feature: A set of Connector (FJR / FJD) and Holder (HLRA) for Floating Joints Quick Connection Type is available for easy selection.

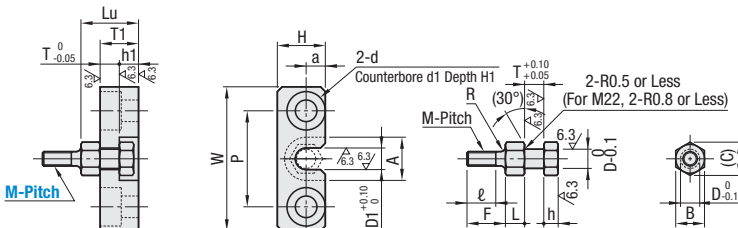


Type		Holder Shape	Material	Surface Treatment	Hardness
Tapped	Threaded				
<b>FJRHA</b>	<b>FJDHA</b>	Side Mount (HLRA)	1045 Carbon Steel or Equivalent	Salt-bath Nitriding	500 HV min.

**FJRHA**



**FJDHA**



ⓘ Salt-bath Nitriding may cause uneven color, which doesn't affect mechanical function.

ⓘ For details of "Salt-bath Nitriding", see P.4029.

### Tapped Type

Part Number	Cylinder Connector										Holder									
	Type	M-Pitch	T	D	L	h	B	C	D <sub>1</sub>	A	T <sub>1</sub>	h <sub>1</sub>	W	H	a	P	d	d <sub>1</sub>	H <sub>1</sub>	Lu
<b>FJRHA</b>	<b>3-0.5</b>		4	6	5	3	8	9.2	6.5	12	8	4	34	13	5	24	4.5	8.0	4.4	13
	<b>4-0.7</b>		4	7	6	3	10	11.5	8	14	8	4	36	15	6	26	4.5	8.0	4.4	14
	<b>5-0.8</b>		6	8	7	3	12	13.9	9	17	10	4	42	18	7	30	5.5	9.5	5.4	17
	<b>6-1.0</b>		6	10	8	4	14	16.2	11	19	11	5	44	20	8	32	5.5	9.5	5.4	19
	<b>8-1.25</b>		8	13	9	4	17	19.6	14	23	13	5	52	24	10	38	6.6	11.0	6.5	22
	<b>10-1.25</b>		8	16	11	4	21	24.2	18	28	13	5	56	30	12	42	6.6	11.0	6.5	24
<b>14-1.5</b>		12	21	13	4	26	30.0	23	34	17	5	70	36	15	52	9	14.0	8.6	30	
<b>18-1.5</b>		15	25	15	5	30	34.6	27	38	21	6	84	43	19	62	11	17.0	10.5	36	

### Threaded Type

Part Number	Cylinder Connector										Holder												
	Type	M-Pitch	T	D	L	h	F	ℓ	B	C	R	D <sub>1</sub>	A	T <sub>1</sub>	h <sub>1</sub>	W	H	a	P	d	d <sub>1</sub>	H <sub>1</sub>	Lu
<b>FJDHA</b>	<b>3-0.5</b>		4	4	4	3	8	6	6	6.9	1.0	4.5	9	8	4	30	10	4	20	4.5	8.0	4.4	12
	<b>4-0.7</b>		4	4	5	3	11	9	6	6.9	1.0	4.5	9	8	4	30	10	4	20	4.5	8.0	4.4	13
	<b>5-0.8</b>		4	6	5	3	13	11	8	9.2	1.0	6.5	12	8	4	34	13	5	24	4.5	8.0	4.4	13
	<b>6-1.0</b>		4	7	6	3	19	17	10	11.5	1.5	8	14	8	4	36	15	6	26	4.5	8.0	4.4	14
	<b>8-1.25</b>		6	10	8	4	20	18	14	16.2	1.5	11	19	11	5	44	20	8	32	5.5	9.5	5.4	19
	<b>10-1.5</b>		8	13	9	4	24	21	17	19.6	2.0	14	23	13	5	52	24	10	38	6.6	11.0	6.5	22



Part Number Example

Part Number  
FJRHA5-0.8  
FJDHA10-1.5



Application Example

