


Air Nozzles

Round Type

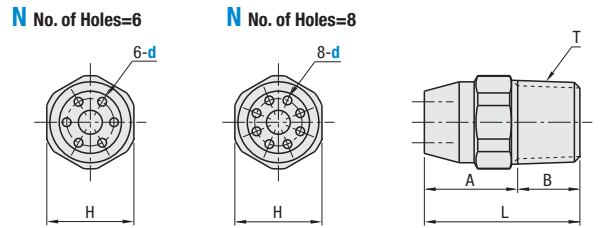
Air Nozzles – Round Type



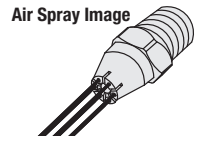
RoHS10

| Type | Material | Max. Operating Pressure | Breakdown Torque | Heat Resistance Temp. |
|------|---------------------|-------------------------|------------------|-----------------------|
| ARDP | Polypropylene (PP) | 0.7MPa | 15N·m | 70°C |
| ARDA | 5052 Aluminum Alloy | 1.0 MPa | — | 200°C |
| ARDS | 303 Stainless Steel | | | |

N No. of Holes=6 **N No. of Holes=8**



Air Spray Image



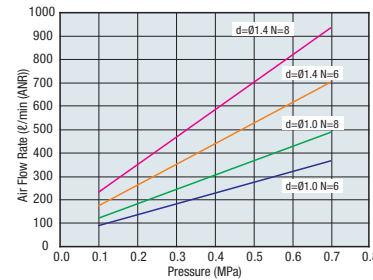
| Part Number | Type | d | N (Number of Holes) | Air Flow Rate L/min (for 0.3MPa) | T | L | A | B | H | Mass (g) | | |
|-------------|------|-----|---------------------|----------------------------------|------|----|----|----|----|----------|------|------|
| | | | | | | | | | | ARDP | ARDA | ARDS |
| ARDP | ARDP | 1.0 | 6 | 190 | R1/4 | 25 | 15 | 10 | 14 | 2 | 6 | 15 |
| | | | 8 | 250 | | | | | | | 6 | 15 |
| ARDA | ARDA | 1.4 | 6 | 350 | R1/4 | 32 | 22 | 10 | 17 | 2 | 10 | 28 |
| | | | 8 | 480 | | | | | | | 10 | 28 |

Part Number Example **Part Number** - **N (Number of Holes)**
 ARDA1.0 - 6

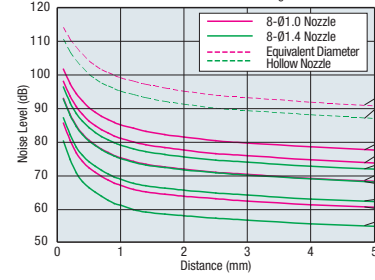
Features: Strong straight air is sprayed through holes on the end.

Applications: For removal of oil, water drops and scrapes, cooling / drying and air blow to narrow spaces, etc.

Air Flow Rate Property Table



Quietness Property Table

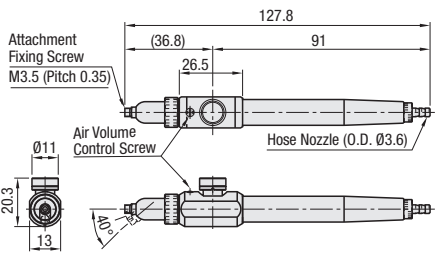


Vacuum Pens

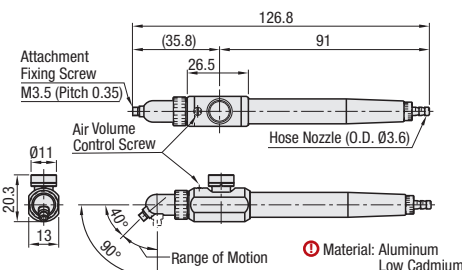


RoHS10

MKPEN (0~40° Bent)



MKPEL (40~90° Bent)




Material: Aluminum Low Cadmium Brass

| Part Number | Applicable Tube I.D. | Accessories |
|----------------|----------------------|----------------------|
| MKPEN MKPEL | 3 | Ø3 Silicon Tube L=1m |

Features

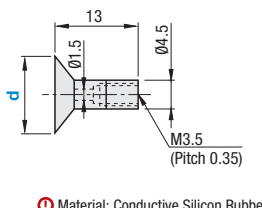
- Press the button lightly to adsorb and release finger to detach.
- Possible to control adherence and detachment smoothly by air volume control function
- Possible to change the in flow and out flow of air by adjusting the thread according to weight and size of adhering objects.

Vacuum Attachments Conductive Rubber Suction Type



RoHS10

NPUN

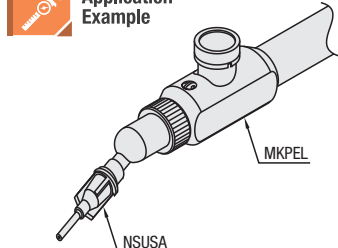


Material: Conductive Silicon Rubber

| Part Number | Type | d |
|-------------|------|----|
| NPUN | NPUN | 6 |
| | | 10 |
| | | 15 |
| | | 20 |


Part Number Example **Part Number**
 MKPEN
 NPUN6

Application Example



Nozzle Joints / Point Nozzles

Nozzle Joint



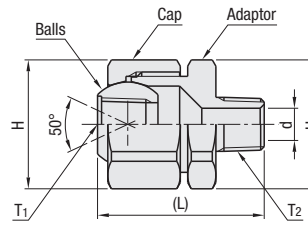
RoHS10

| Type | Type | | Material | Max. Operating Pressure |
|------|----------------------|---------------------|----------|-------------------------|
| | Threaded, Tapped End | Both Ends Tapped | | |
| NJMS | NJFS | 303 Stainless Steel | 1.0 MPa | |
| NJMP | — | Polypropylene | | |

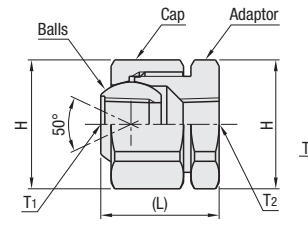
Features

Swivel joints suitable to spray any direction.
 By loosening a cap and then, tightening the joint by moving the ball, the joint can be fixed at an arbitrary position.
 Angle adjustable range is 50°.

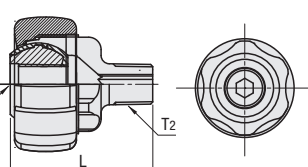
Threaded / Tapped End
NJMS



Both Ends Tapped
NJFS



NJMP



H dimension is the distance between parallel surfaces of the hexagon.

| Part Number | Type | No. | R/Rc (PT) | | (L) | d | Wrench Flats H | Weight (g) |
|----------------------------------|------|-----|-----------|-----|-----|-----|----------------|------------|
| | | | T1 | T2 | | | | |
| Male, Female Ends NJMS | NJMS | 1-1 | 1/8 | 1/8 | 32 | 5.5 | 22 | 80 |
| | | 1-2 | 1/8 | 1/4 | 36 | 8 | 22 | 90 |
| | | 2-2 | 1/4 | 1/4 | 41 | 8 | 29 | 170 |
| | | 2-3 | 1/4 | 3/8 | 43 | 11 | 29 | 190 |
| 3-3 | 3/8 | 3/8 | 49 | 11 | 35 | 290 | | |

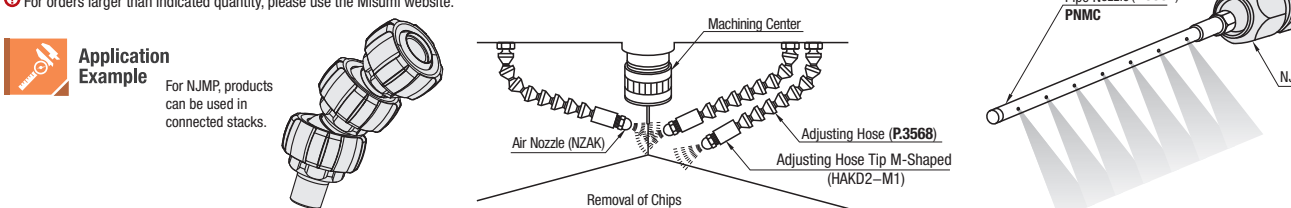
| Part Number | Type | No. | R/Rc (PT) | | (L) |
|----------------------------------|------|-----|-----------|-----|------|
| | | | T1 | T2 | |
| Male, Female Ends NJMP | NJMP | 1-1 | 1/8 | 1/8 | 34.5 |
| | | 1-2 | 1/8 | 1/4 | |
| | | 2-2 | 1/4 | 1/4 | |

| Part Number | Type | No. | Rc (PT) | | (L) | Wrench Flats H | Weight (g) |
|------------------------------------|------|-----|---------|-----|-----|----------------|------------|
| | | | T1 | T2 | | | |
| Female, Female Ends NJFS | NJFS | 1-1 | 1/8 | 1/8 | 24 | 22 | 65 |
| | | 1-2 | 1/8 | 1/4 | 24 | 22 | 65 |
| | | 2-2 | 1/4 | 1/4 | 30 | 29 | 140 |
| | | 2-3 | 1/4 | 3/8 | 30 | 29 | 140 |
| 3-3 | 3/8 | 3/8 | 35 | 35 | 240 | | |

Part Number Example **Part Number**
 NJMS1-2

Application Example

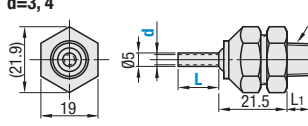
For NJMP products can be used in connected stacks.



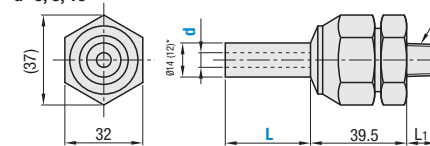
Point Nozzles

PNZRF

d=3, 4

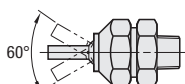


d=6, 8, 10



* Dimension in () is for d=6.

Angle Specification Range Tighten the hexagon nut and fix the nozzle at a desired angle.



Material: 304 Stainless Steel

| Part Number | Type | No. | d | L | T | L1 |
|-------------|------|-----|-----|------|----|----|
| | | | | | | |
| 4 | 15 | | | | | |
| 3 | 30 | | | | | |
| 4 | 50 | | | | | |
| 5 | 50 | | | | | |
| 1 | 4 | 3 | 10 | R1/8 | 10 | |
| | | 4 | 15 | | | |
| | | 3 | 30 | | | |
| | | 4 | 50 | | | |
| | | 6 | 75 | | | |
| | | 8 | 75 | | | |
| | | 10 | 100 | | | |
| 2 | 4 | 3 | 10 | R1/4 | 12 | |
| | | 4 | 15 | | | |

Part Number Example **Part Number** - **d** - **L**
 PNZRF2 - 3 - 10