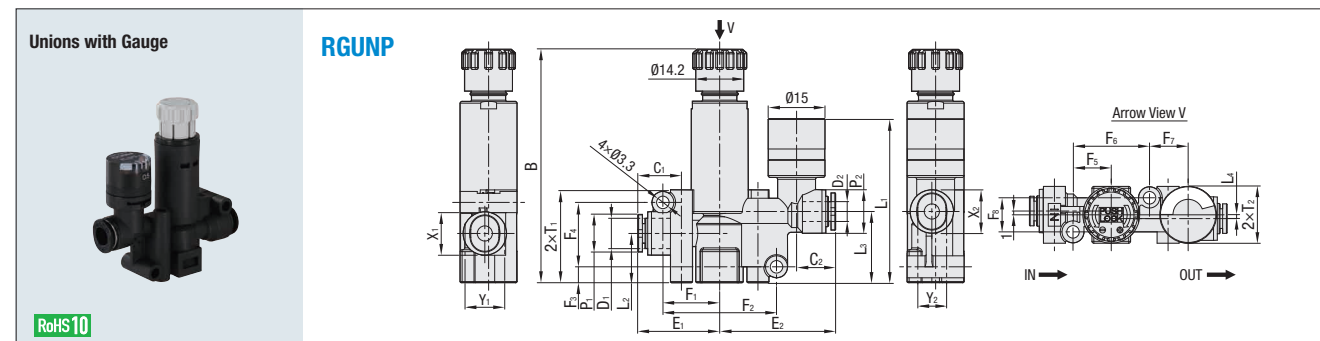


# Regulators (with Gauge)

## Unions



| Part Number | Type | No. | D <sub>1</sub> | D <sub>2</sub> | B    |      | L <sub>1</sub> | L <sub>2</sub> | L <sub>3</sub> | L <sub>4</sub> | P <sub>1</sub> | P <sub>2</sub> | P <sub>3</sub> | C <sub>1</sub> | C <sub>2</sub> | E <sub>1</sub> | E <sub>2</sub> | F <sub>1</sub> | F <sub>2</sub> | F <sub>3</sub> | F <sub>4</sub> | F <sub>5</sub> | F <sub>6</sub> | F <sub>7</sub> | F <sub>8</sub> | T <sub>1</sub> | T <sub>2</sub> | X <sub>1</sub> | X <sub>2</sub> | Y <sub>1</sub> | Y <sub>2</sub> | Mass (g) |    |
|-------------|------|-----|----------------|----------------|------|------|----------------|----------------|----------------|----------------|----------------|----------------|----------------|----------------|----------------|----------------|----------------|----------------|----------------|----------------|----------------|----------------|----------------|----------------|----------------|----------------|----------------|----------------|----------------|----------------|----------------|----------|----|
|             |      |     |                |                | Max  | Min  |                |                |                |                |                |                |                |                |                |                |                |                |                |                |                |                |                |                |                |                |                |                |                |                |                |          |    |
| RGUNP       | 4    | 4   | 4              | 4              | 61.6 | 59   | 43.3           | 13             | 18.8           | 1              | 11.5           | 11.5           | 15             | 11             | 11             | 21.6           | 30.6           | 15             | 30             | 4.2            | 17             | 10.1           | 20.2           | 10.2           | 9              | 24.5           | 15             | 9.8            | 9.8            | 7.8            | 7.8            | 23       |    |
|             | 6-4  | 6   | 6              | 6              |      |      |                |                |                |                |                |                |                | 11.6           | 22             |                |                |                |                |                |                |                |                |                |                |                |                | 11.8           | 9.8            | 9.8            |                |          |    |
|             | 6    | 6   | 6              | 6              |      |      |                |                |                |                |                |                |                | 17             | 28.6           | 33             |                |                |                |                |                |                |                |                |                |                |                |                |                |                |                |          |    |
|             | 8-6  | 8   | 8              | 8              | 65.7 | 63.1 | 49.8           | 15             | 22.5           | -              | 15.5           | 15.5           | 19             | 18.1           | 18.1           | 32.9           | 19.9           | 39.7           | 4.1            | 21.3           | 11.6           | 23.2           | 9.1            | 13             | 28.4           | 19             | -              | -              | -              | -              | -              | -        | 36 |
|             | 8    | 8   | 8              | 8              |      |      |                |                |                |                |                |                |                |                |                |                |                |                |                |                |                |                |                |                |                |                |                |                |                |                |                |          |    |

|                     |             |
|---------------------|-------------|
| Part Number Example | Part Number |
|                     | RGUNP4      |

### Precautions for Use

Do not use the regulator in such a way that the pressure exceeds the preset level due to large pressure fluctuations on the secondary side.

This product is not designed as a relief valve, and using it as one may cause equipment damage or malfunction.

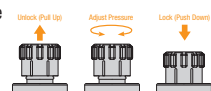
If using it in this way, please install additional safety mechanisms.

### Precautions for Use

- Set the pressure by turning the regulating knob in the upward direction (clockwise). The pressure cannot be set accurately if the regulating knob is turned in the downward direction (counterclockwise).
- Do not turn the regulating knob counterclockwise from a fully open position, or too far clockwise from a fully open position. Doing so may cause damage to the regulating knob or the regulator/valve itself. It can also increase the torque on the regulating screw and regulating knob.
- The regulating knob releases when pulled up and locks when pushed down. Always lock the knob after adjusting the pressure. Failure to lock the regulating knob means the knob may turn, causing the pressure to change.
- When you press down the regulating knob, it can sometimes stop partway between the locked and unlocked positions depending on how far round it is rotated. When this happens, the knob is not completely locked. Please ensure that the regulating knob is fully pushed down to the locked position.
- Trying to force the regulating knob to turn while it is in the locked position may cause damage to the locking mechanism.
- For models with a gauge, the gauge can be oriented in any direction. Applying excessive force to the gauge cap can result in damage to the gauge and cause issues with gauge readings. Please hold the gauge close to the base when turning it.
- The pressure gauge is accurate to ±5% (FS). If greater accuracy is required, please check the pressure using a separate pressure gauge and adjust accordingly.
- When air is released from the secondary side, the air flow may cause resonance. Avoid releasing air on the secondary side for prolonged periods of time, as this poses a risk of internal damage or other issues.

### Pressure Adjustment Method

- Adjusting the pressure  
Release the lock by pulling the regulating knob upward before adjusting the pressure. Do not apply excessive force to the regulating knob during this time, as doing so may cause damage.



- Increasing the pressure  
Turn the regulating knob clockwise from the fully open position to increase the pressure. When the desired pressure is reached, be sure to push the regulating knob down to lock it in place so that the pressure setting does not change.
- Decreasing the pressure  
If the regulator knob is turned too far (if the pressure is too high), turning it counterclockwise will activate the relief mechanism and decrease the pressure. Following this, adjust as described in "2. Increasing the pressure." When the desired pressure is reached, be sure to push the regulating knob down to lock it in place so that the pressure setting does not change.

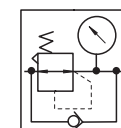


### Specifications

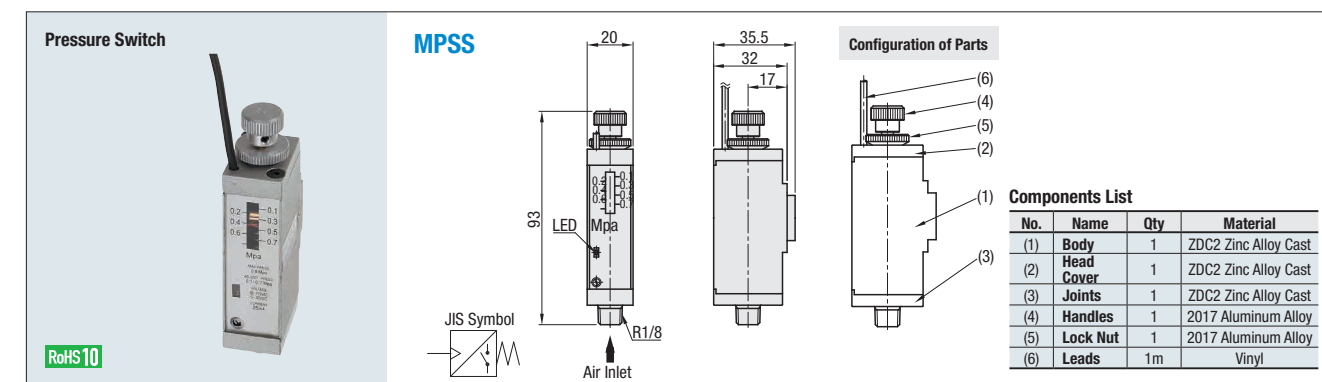
|                            |                    |
|----------------------------|--------------------|
| Applicable Fluid           | Air                |
| Operating Temp. Range      | 0 ~ 60°C           |
| Operating Pressure Range   | 0~1MPa             |
| Set Pressure Range         | 0.1~0.8MPa         |
| (Indicated Pressure Range) | 0~0.8MPa           |
| Gauge Accuracy             | ±5% (Full Scale *) |

\*Displayed position differences when the displayed pressure has suddenly changed from 0 to Max. value of 0.8MPa.

### Regulator with Pressure Gauge Graphic Symbol



# Pressure Switches / Moisture Trap



| Part Number |     |
|-------------|-----|
| Type        | No. |
| MPSS        | 6A  |

### Features

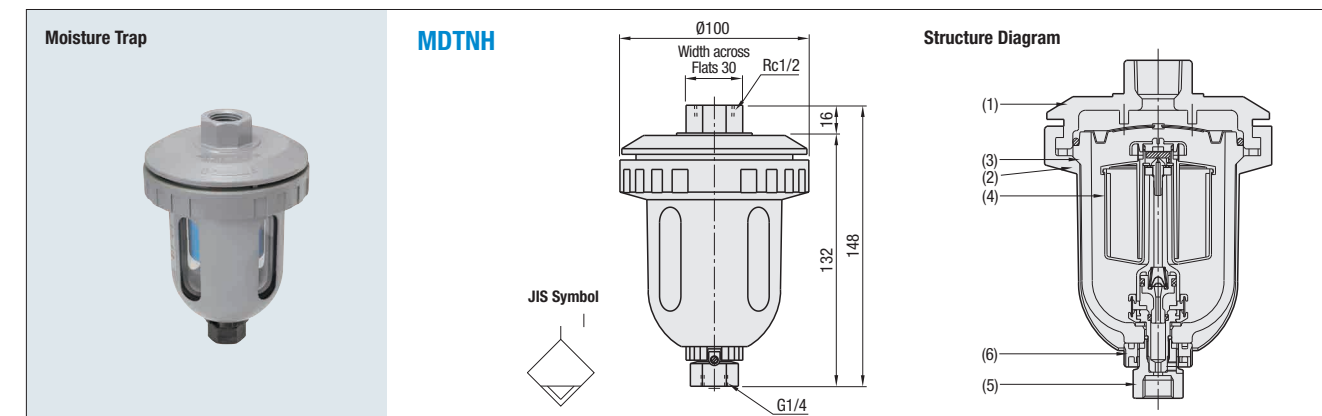
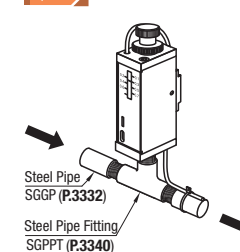
- A contact type pressure switch with a built-in lead switch.
- Working pressure can be easily set by handle rotating operation.
- LED display allows easy checking of ON/OFF operation.

|                     |             |
|---------------------|-------------|
| Part Number Example | Part Number |
|                     | MPSS6A      |

### Specifications

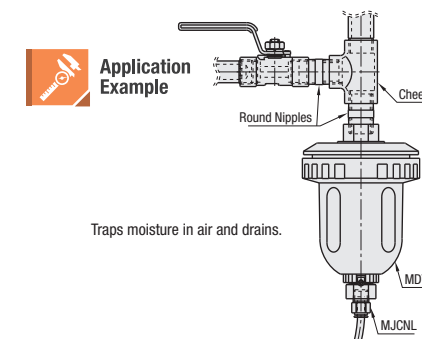
|                               |  |
|-------------------------------|--|
| Applicable Fluid              | Air  |
| Set Pressure Range (Mpa)      | 0.1~0.7  |
| Max. Operating Pressure (Mpa) | 0.8  |
| Pressure Resistance (Mpa)     | 1.0  |
| Operating Temp. Range (°C)    | 5~60   |
| Pipe Connection Bore Diameter | R1/8   |
| Sensor Switch                 | Lead Switch (Contact Type)<br>Normally Open / LED, lights when ON<br>Lead Wire Length 1m<br>Contact Capacity: AC85~115V/DC5~30V, 25 mA or less |
| Mass                          | 185 g  |

### Application Example



| Part Number |     |
|-------------|-----|
| Type        | No. |
| MDTNH       | 15A |

Do not use this product to drain fluid with dirt, oil at the bottom of the air tank, etc.



### Components List

| No. | Name           | Material             |
|-----|----------------|----------------------|
| (1) | Cover          | ZDC2 Zinc Alloy Cast |
| (2) | Clamp Ring     | ZDC2 Zinc Alloy Cast |
| (3) | Case           | PC Resin             |
| (4) | Float Assembly | -                    |
| (5) | Joints         | POM Polyoxymethylene |
| (6) | Coupling       | POM Polyoxymethylene |

### Features

- These are Float Drain Traps and no air is allowed to escape.
- The use of a magnet ensures effective drainage.

|                     |             |
|---------------------|-------------|
| Part Number Example | Part Number |
|                     | MDTNH15A    |

### Specifications

|                       |               |
|-----------------------|---------------|
| Pneumatic Fitting     | Rc1/2         |
| Drain Outlet          | G1/4          |
| Applicable Fluid      | Air, Drain    |
| Operating Pressure    | 0.14~1.0 MPa  |
| Pressure Resistance   | 1.5 mPa       |
| Ambient Temperature   | 5~60°C        |
| Discharge of Drainage | 10 cc/1 drain |
| Product Mass          | 0.7 kg        |

- Drain outlet will open when operating pressure becomes 0.05 mPa or less.
- Air may leak if float becomes stuck due to foreign objects, etc. In such a case, clean the float. Do not use this product especially at the bottom of the air tank where drain with dirt is collected.