


# Fittings for Hoses

## Male Nipples / Joint Nipples / Female Nipples

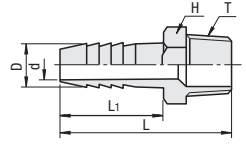
Pipes / Fittings / Hoses / Valves

**Male Nipples**




RoHS 10

Type	Material
HOSN	Brass
HOSNS	304 Stainless Steel



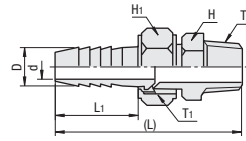
Part Number Type	No.	Applicable Hose Nominal I.D.	T R (PT)	D	HOSN				HOSNS				
					d	H	L	L <sub>1</sub>	d	H	L	L <sub>1</sub>	
HOSN Brass	61	6	1/8	7	4	12	34	20	4	12	36	20	
	62		4		14	41	26	4	14	42	24		
	63		4		17	46	29	4	17	44	25		
	64		1/2		3.5	22	50	29	4	22	49	27	
	628		1/4		8	4.5	14	41	26	5	14	42	24
HOSNS 304 Stainless Steel	629	6	1/4	9	5	14	41	26	5	14	42	24	
	91		1/8		10.5	6	12	34	20	6	12	36	20
	92		1/4			7	14	41	26	6	14	42	24
	93		3/8			7	17	46	29	6	17	44	25
	94		1/2			6	22	50	29	7	22	49	27
12412	1/2	12	7.5	22		50	29	8	22	49	27		
HOSNS 304 Stainless Steel	122	12	1/4	14	9	14	41	26	8	17	42	24	
	123		3/8		10	17	46	29	9	17	44	25	
	124		1/2		10	22	50	29	11	22	49	27	
	153		3/8		16	11.5	17	46	29	11	17	44	25
	154		1/2		11	22	50	29	12	22	49	27	
HOSNS 304 Stainless Steel	19619	19	3/4	20.5	13	27	60	36	14	27	59	33	
	194		1/2		14	22	50	29	15	22	49	27	
	196		3/4		15	27	60	36	15	27	59	33	
	258		1		27	20.5	35	73	41	22	35	70	40
	3812		38		1 1/2	40	30	51	100	61	31	52	90
5016	50	2	52	40	63	132	86	43	63	100	60		

**Joint Nipples**



RoHS 10

Type	Material
HOSJN	Brass
HOSJNS	304 Stainless Steel

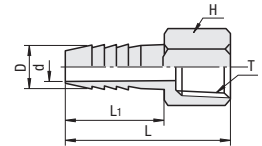


Part Number Type	No.	App. Hose Nom. I.D.	T R (PT)	D	T <sub>1</sub> G (PF)	d	H	H <sub>1</sub>	(L)	L <sub>1</sub>	HOSJN		HOSJNS	
											1-9 pc(s)	10-29	1-9 pc(s)	10-29
HOSJN Brass	61	6	1/8	7.0	1/8	4.0	12	12	43	19	•	•	—	—
	62		1/4		4.0	14	16	59	26	•	•	—	—	
	63		3/8		4.0	17	16	60	26	•	•	—	—	
	628		1/4		8	4.5	14	16	59	26	•	•	—	—
	629		1/4		9	1/4	5	14	16	59	26	•	•	—
HOSJNS 304 Stainless Steel	92	9	1/4	10.5	3/8	7.0	17	19	57	27	•	•	—	—
	93		3/8		7.0	17	19	60	27 (25)	•	•	•	•	
	94		1/2		3/8	7.0	22	19	63	27	•	•	—	—
	123		3/8		1/2	10.0	22	24	71	31	•	•	—	—
	124		1/2		1/2	10.0 (10.5)	22	24	73 (69)	31 (27)	•	•	•	•
HOSJNS 304 Stainless Steel	126	12	3/4	14.0	1/2	10.0	28	24	77	31	•	•	—	—
	153		3/8		1/2	11.5	22	24	71	31	•	•	—	—
	154		1/2		1/2	11.5	22	24	73	31	•	•	—	—
	194		1/2		3/4	15.0	28	30	78	35	•	•	—	—
	196		3/4		3/4	15.0	28 (29)	30	82 (80)	35 (33)	•	•	•	•

Values in ( ) are applicable to HOSJNS.

**Female Nipples**

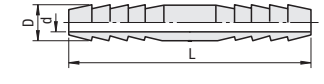
Type	Material
HOSFNS	304 Stainless Steel



RoHS 10

**Bamboo Shoot Joints**

Type	Material
HOSJJS	304 Stainless Steel



RoHS 10

Part Number Type	No.	Applicable Hose Nominal I.D.	T RC (PT)	D	d	H	L	L <sub>1</sub>
92	1/4							
93	3/8							
94	1/2							
123	3/8							
124	1/2							

Part Number Type	No.	Applicable Hose Nominal I.D.	D	d	L
9	9	10.5	8.0	70	
12	12	14.0	10.0	75	
19	19	20.5	16.0	90	

### Specifications

Applicable Fluid	Water, Air, Oil
Operating Temperature Range	-50~150°C (No Freezing)
Normal Operating Pressure	3.5 MPa

Part Number Example


Part Number  
HOSN61  
HOSJJS12

# Fittings for Hoses

## Open-Ended Hose Joint / Bamboo Shoot Joints / Fitting Sleeve Nut for Hose

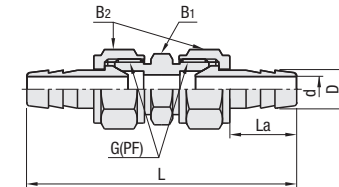
Pipes / Fittings / Hoses / Valves

**Open-Ended Hose Joint**




RoHS 10

Type	Material
HOSSH	Brass



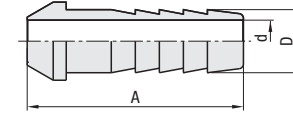
Part Number Type	No.	Applicable Hose Nominal I.D.	D	d	B <sub>1</sub>	B <sub>2</sub>	G (PF)	La	L
628	8	4.5	14	16	1/4	26	89		
629	9	5	14	16	1/4	26	89		
92	10.5	7	17	19	3/8	27	91		
123	14	10	22	24	1/2	31	112		
153	16	11.5	22	24	1/2	31	112		
196	19	20.5	15	27	30	3/4	35	120	

**Bamboo Shoot Joints**



RoHS 10


Type	Material
HOSHS	Brass



Part Number Type	No.	Applicable Hose Nominal I.D.	D	d	A
629	9	5	34		
92	10.5	7	36		
123	14	10	42		
153	16	11.5	42		
196	19	20.5	15	46	

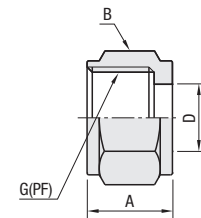
⊗ Fitting applicable for HOSJN and HOSSH only.

**Fitting Sleeve Nut for Hose**



RoHS 10

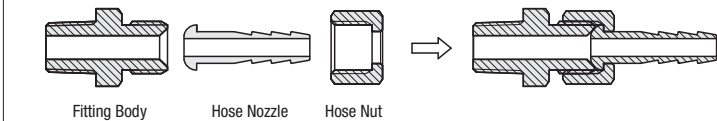
Type	Material
HOSHN	Brass



Part Number Type	No.	Main Body Applicable No.	G (PF)	D	B	A
3	92 93 94	3/8	11	19	14	
4	123 124 126 153 154	1/2	16.5	24	16	
6	194 196	3/4	21.5	30	17.5	

⊗ Fitting applicable for HOSJN and HOSSH only.

### Assembly Procedure (HOSJE / HOSJH / HOSJT)



- (1) Insert hose nozzle into hose nut.
- (2) Position the R-plane (seat) of hose nozzle to inside the body.
- (3) Hand tighten hose nut.
- (4) Then secure with a wrench or a spanner.

### Specifications

Applicable Fluid	Water, Air, Oil
Operating Temperature Range	-20~150°C (No Freezing)
Normal Operating Pressure	3.5 MPa

Part Number Example

Part Number  
HOSSH92