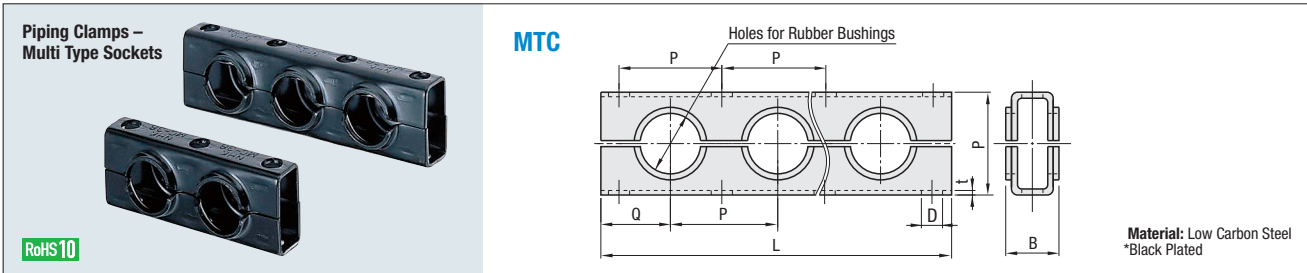


Piping Clamps

Multi Type Sockets



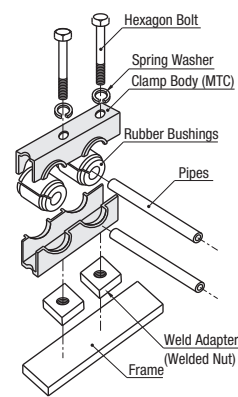
Part Number Type	No.	N (No. of Holes) Selection	L	P	Q	B	D	T	Recommended Assembly Bolt (Coarse)	
									For 1-Stack	For 2-Stacks
MTC	38	1	55	37.5	27.5	26	9	2.3	M8-50	M8-90
		2	92.5							
		3	130							
		4	167.5							
		5	205							
	50	1	70	50	35	26	9	2.3	M8-65	M8-115
		2	120							
		3	170							
		4	220							
		5	270							
	75	1	100	75	50	38	11	3.2	M10-90	M10-170
		2	175							
		3	250							
		4	325							
		5	400							
100	1	130	100	65	42	11	4	M10-120	—	
	2	230								

⚠ L dimension of recommended bolts for assembling are for using weld adapters (MCWA P.3361). Please be sure to confirm the length for each assembling method before use.

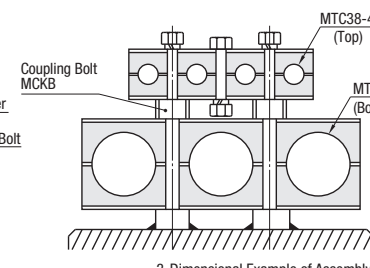
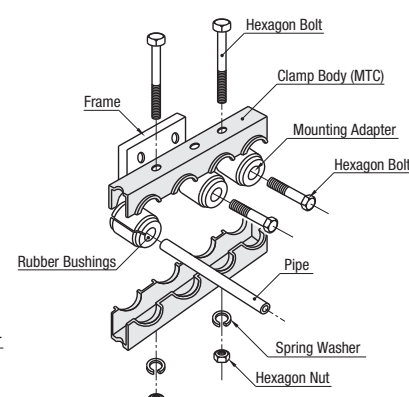
Part Number Example
 Part Number: MTC50
 N (No. of Holes): 4

Application Example

When fixing the clamp body by welding the weld-adaptor (weld-nut) on the frame



When fixing the clamp on the frame by assembling a mounting adapter on the clamp body.



* Assembly is possible with recommended hexagon bolts for assembling (For 2-Stacks Type).
 Good : Assembling is possible using coupling bolts (MCKB).
 Poor : Assembling is not possible.

Features

- Uses silver-plated contacts
- Right angle models are also available
- The operating unit is available in 4 to 5 different lengths

⚠ Please ensure that the current capacity is not exceeded.

The number of possible combinations

	Top	38	50	75	100
Bottom	38	*Good	Poor	Poor	Poor
(MCKB)	38-8				
50	Poor	*Good	Poor	Poor	
(MCKB)	50-8				
75	Good	Good	*Good	Poor	
(MCKB)	75-8	75-8	75-10		
100	Poor	Good	Poor	Good	
(MCKB)	100-8			100-10	

Piping Clamp Accessories

Rubber Bushings / Mounting Adapters / Coupling Bolts / Weld Adapters

Piping Clamps – Accessories

Rubber Bushings

Material: Neoprene Rubber

Inch Pipe O.D.

Nominal	mm
1/8	10.5
1/4	13.8
3/8	17.3
1/2	21.7
3/4	27.2
1	34.0
1 1/4	42.7
1 1/2	48.6
2	60.5

MCBR For Inch Pipes
MCBM For Metric Pipes

Material: Aluminum Alloy Diecast (JIS-ADC12)

Mounting Adapters

Material: Aluminum Alloy Diecast (JIS-ADC12)

MCMA

Coupling Bolts

**Material: M=8 1045 Carbon Steel or Equivalent
 M=10 4137 Alloy Steel**

Surface Treatment: Trivalent: Chromate

MCKB

Weld Adapters

Material: 1018 Carbon Steel or Equivalent

MCWA

Part Number Type	No.	P=Applicable Pipe Dia. Selection (For inch pipes, select numbers above ().	L	L ₁	D	D ₁	App. Body No.
MCBR For Inch Pipes	50	1 2 3 4 6 (1/8) (1/4) (3/8) (1/2) (3/4)	36	13.2	33.2	40.8	50
	75	3 4 6 8 10 (3/8) (1/2) (3/4) (1) (1, 1/4)	48	19.3	56	64.4	75
	100	6 8 10 12 16 (3/4) (1) (1, 1/4) (1, 1/2) (2)	52	17.8	76	88	100
	MCBM For Metric Pipes	38	6 8 10 12 15 16 18	36	13.2	22.8	28.8
MCBM For Metric Pipes	50	10 12 15 16 18 20 22 25 30	36	13.2	33.2	40.8	50
	75	10 12 15 16 18 20 22 25 28 30 32 34 35 38 40 42	48	19.3	56	64.4	75
	100	28 30 32 35 38 40 42 50	52	17.8	76	88	100

Part Number Type	No.	P	L	L ₁	D	D ₁	Applicable Body
MCMA	50	8.5	32	13.3	31.2	40.8	50
	75	13	43	19.5	54	64.4	75

Part Number Type	No.	M (Coarse)	S	T	B	M ₁ (Coarse)	Applicable Body No.
MCKB	50	8	65	23	17	M8	50
	75	8	90	23	17	M10	75
		10	90	33	17	M10	75
	100	8	120	23	17	M10	100
10		120	33	17	M10	100	

Part Number Type	No.	M (Coarse)	T	B	Applicable Body No.
MCWA	50	M8	16	25	50
	75	M10	19	38	75
	100	M10	25	44	100

Part Number Example
 Part Number: MCBM38 - P or M: 10
 MCBM50 - P or M: 8
 MCKB100 - P or M: 8
 MCWA75