








High Pressure Steel Pipe Fittings (Equal / Unequal Size Pipe Threads)

Socket / Hexagon Socket / Elbow / 45° Elbow / Female / Male Elbow / Tees / Plug

	Type	Material
	SGPPSH SUTPSH	1025 Carbon Steel 304 Stainless Steel
	Type	Material
	SGPSH	1025 Carbon Steel
	Type	Material
	SGPPEH SUPESH	1025 Carbon Steel 304 Stainless Steel
	Type	Material
	SGPHEH SUTHEH	1025 Carbon Steel 304 Stainless Steel
	Type	Material
	SGPELH SUTELH	1025 Carbon Steel 304 Stainless Steel
	Type	Material
	SGPPTH SUTPTH	1025 Carbon Steel 304 Stainless Steel
	Type	Material
	SGPPPJ SUPPPJ	1025 Carbon Steel 304 Stainless Steel

Part Number		Rc (PT)	(D)		(L)	
Type	No.		SGPPSH	SUTPSH	(D)	(L)
SGPPSH SUTPSH	6A	1/8	19	22	19	26
	8A	1/4	22	25	22	28
	10A	3/8	28	28	25	33
	15A	1/2	32	32	32	37
	20A	3/4	38	38	38	42
	25A	1	46	45	45	45
	32A	1 1/4	58	50	55	52
	40A	1 1/2	63	55	65	56
50A	2	76	60	75	66	

Part Number		Rc(PT)	B	(ℓ)	(D)		(L)
Type	No.				SGPPEH	SUPESH	
SGPPEH SUPESH	8A	1/4	22	8.5	22	28	
	10A	3/8	27	8.5	27	33	
	15A	1/2	32	9	32	37	
	20A	3/4	38	11	38	42	
	25A	1	46	12	46	45	
	32A	1 1/4	58	14	55	52	
	40A	1 1/2	63	14	63	51	
	50A	2	76	14	76	61	

Part Number		Rc (PT)	(D)		(L)	
Type	No.		SGPHEH	SUTHEH	(D)	(L)
SGPHEH SUTHEH	8A	1/4	23	18.4	23	18.4
	10A	3/8	27	18.9	27	18.9
	15A	1/2	34	24.1	34	24.1
	20A	3/4	39	26.7	39	26.7
	25A	1	47	30.3	47	30.3
	32A	1 1/4	56	35.5	57	35.5
	40A	1 1/2	63	39.6	63	39.6
	50A	2	76	46.4	77	47.4



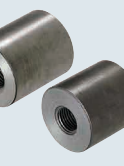



Part Number		R	(D)	(L ₁)	(L ₂)	A	B	(D)		(L ₁)	A	B
Type	No.							SGPELH	SUTELH			
SGPELH SUTELH	8A	1/4	24	28.5	39	21	27	25	32.5	45	22	32
	10A	3/8	24	34.5	40	25	28	33	39.5	55	25	38
	15A	1/2	32	40.5	51	29	35	38	44.5	61	28	41
	20A	3/4	36	47.5	58	33	40	46	55.5	72	35	48
	25A	1	46	55.5	71	38	48	56	70.5	86	44	57

Part Number		Rc (PT)	(D)		(L)	
Type	No.		SGPPTH	SUTPTH	(D)	(L)
SGPPTH SUTPTH	8A	1/4	23	21.6	23	21.6
	10A	3/8	27	25.5	27	25.5
	15A	1/2	34	28.9	34	28.9
	20A	3/4	39	33.1	39	33.1
	25A	1	47	38.2	47	38.2
	32A	1 1/4	56	45.0	56	45.0
40A	1 1/2	63	50.8	63	50.8	
50A	2	76	60.1	76	60.1	

Part Number		R (PT)	(L)	(T)	(H)	(L)		(T)	(H)
Type	No.					SGPPPJ	SUPPPJ		
SGPPPJ SUPPPJ	8A	1/4	11	9	9	11	7	9	9
	10A	3/8	12	10	12	12	9	12	12
	15A	1/2	15	11	14	15	10	14	14
	20A	3/4	17	12	17	17	11	17	17
	25A	1	19	13	19	20	12	21	21
	32A	1 1/4	22	14	23	22	13	23	23
40A	1 1/2	22	15	26	22	14	28	28	
50A	2	26	16	32	26	15	33	33	

High Pressure Steel Pipe Fittings (Equal / Unequal Size Pipe Threads)

Hexagon Nipples / Union (with O-Ring) / Reducing Sockets / Reducing Nipples / Reducing Tees / Bushings

	Type	Material
	SGPNRJ SUTNRJ	1025 Carbon Steel 304 Stainless Steel
	Type	Material
	SGPPUJ SUTPUJ	1025 Carbon Steel 304 Stainless Steel Nitrile Rubber
	Type	Material
	SGPSDJ SUTSSJ	1025 Carbon Steel 304 Stainless Steel
	Type	Material
	SGPNPJ STUPDJ	1025 Carbon Steel 304 Stainless Steel
	Type	Material
	SGPTDJ	1025 Carbon Steel
	Type	Material
	SGPPBJ SUTPBJ	1025 Carbon Steel 304 Stainless Steel

Part Number		R (PT)	(ℓ)	(L)	(B)	(ℓ)		(L)	(B)
Type	No.					SGPNRJ	SUTNRJ		
SGPNRJ SUTNRJ	6A	1/8	11	27	12	11	29	12	
	8A	1/4	15	35	17	16	39	17	
	10A	3/8	15	37	19	17	41	19	
	15A	1/2	17	43	23	21	50	23	
	20A	3/4	20	49	29	22	53	28	
	25A	1	22	54	35	26	62	36	
	32A	1 1/4	22	56	46	26	68	47	
	40A	1 1/2	25	62	50	27	69	51	
50A	2	29	72	63	28	72	64		

Part Number		Rc (PT)	(B ₁)	(L)	(A)	(B)	(B ₁)	(L)	(A)	(B)	O-Ring
Type	No.										
SGPPUJ SUTPUJ	8A	1/4	22	38	18	32	22	38	18	32	P18
	10A	3/8	26	40	20	41	26	40	20	41	P20
	15A	1/2	32	44	22	46	32	44	22	46	G25
	20A	3/4	38	50	26	54	38	50	26	54	G30
	25A	1	47	56	28	63	47	56	28	63	G35
	32A	1 1/4	58	62	30	74	58	62	30	74	G45
40A	1 1/2	63	70	32	80	63	70	32	80	G50	
50A	2	76	76	36	95	76	76	36	95	G65	

Part Number		Rc (PT)	T ₁	T ₂	(D)		L	(D)
Type	No.				SGPSDJ	SUTSSJ		
SGPSDJ SUTSSJ	12	1/8	1/4	25	22	28	22	
	23	1/4	3/8	28	28	33	25	
	24	1/4	1/2	32	32	37	32	
	34	3/8	1/2	32	32	37	32	
	36	3/8	3/4	38	38	42	38	
	46	1/2	3/4	38	38	42	38	
48	1/2	1	45	46	45	45		
68	3/4	1	45	46	45	45		

Part Number		R (PT)	T ₁	T ₂	(B)	(ℓ ₁)	(ℓ ₂)	L	A	(B)	(ℓ ₁)	(ℓ ₂)
Type	No.											
SGPNPJ STUPDJ	12	1/4	1/8	31	5	17	15	11	—	—	—	—
	23	3/8	1/4	37	7	19	15	15	40	8	19	15.5
	24	1/2	1/4	41	9	23	17	15	45	9	23	15.5
	34	1/2	3/8	41	9	23	17	15	46	9	23	16.5
	36	3/4	3/8	44	9	29	20	15	48	10	28	16.5
	46	3/4	1/2	46	9	29	20	17	52	10	28	21.5
	48	1	1/2	49	10	35	22	17	57	11	36	25.5
	68	1	3/4	52	10	35	22	20	58	11	36	21.5

Part Number		Rc (PT)	T ₁	T ₂	(A)	(B)
Type	No.					
SGPTDJ	24	1/4	1/2	28.9	34	34
	34	3/8	1/2	28.9	34	34
	36	3/8	3/4	33.1	39	39
	46	1/2	3/4	33.1	39	39

Part Number		T ₁	T ₂	(B)	L	C	(ℓ)	(B)	L	C	(ℓ)
Type	No.										
SGPPBJ SUTPBJ	12	1/8	1/4	17	20	5	15	17	17	5	12
	23	1/4	3/8	19	22	7	15	19	18	5	13
	24	1/4	1/2	23	26	9	17	23	21	5	16
	26	1/4	3/4	29	29	9	20	29	24	6	18
	34	3/8	1/2	23	26	9	17	23	21	5	16
	36	3/8	3/4	29	29	9	20	29	24	6	18
	38	3/8	1	35	32	10	22	35	27	7	20
	46	1/2	3/4	29	29	9	20	29	24	6	18
48	1/2	1	35	32	10	22	35	27	7	20	
68	3/4	1	35	32	10	22	35	27	7	20	

Fitting Specifications

Material	Steel 1025 Carbon Steel of JIS G4051 or Equivalent Stainless Steel 304 Stainless Steel of Pipe Stainless Steel or Equivalent
Max. Operating Temp.	1025 Carbon Steel or Equivalent 350°C 304 Stainless Steel 800°C
Max. Operating Pressure	20.6 MPa
Applicable Pipe	Plumbing with Carbon Steel Pipes / JIS G3454, 3455, 3456 Plumbing with Stainless Steel Pipes / Pipe Stainless Steel

Part Number Example	SGPPEH6A SGPSDJ12
----------------------------	----------------------

1025 Carbon Steel or Equivalent material is made of JIS B2316, while 304 Stainless Steel material is made of JIS B2316.
As fittings are cast products, () dimensions such as (L) and (T) are for reference, not guaranteed.