


Snap Locks

Covered / for Medium Loads

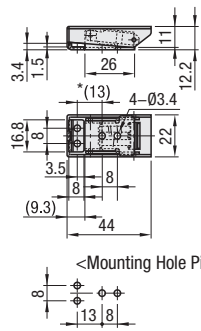
Handles / Hinges / Door Parts

Covered Snap Locks



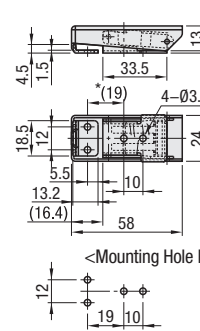
RoHS 10

PKCS1



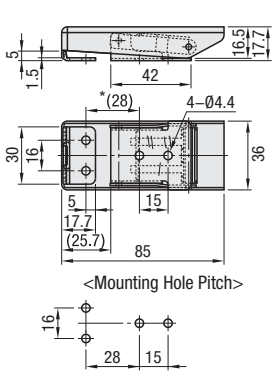
<Mounting Hole Pitch>

PKCS2



<Mounting Hole Pitch>

PKCS3



<Mounting Hole Pitch>


*The dimensions are for 0 mm tightening amount.

Part Number	*Pull Force N (kgf)	Mass (g)
PKCS 1	12 (1.2)	25
PKCS 2	69 (7)	53
PKCS 3	81 (8.3)	115

Part Number Example: PKCS2

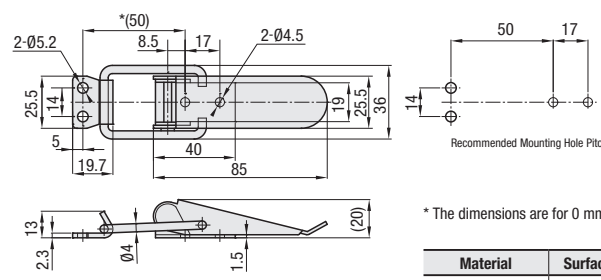
*Pull force is the reference value for 1 mm pull distance.

Stainless Steel Draw Latches for Medium Loads



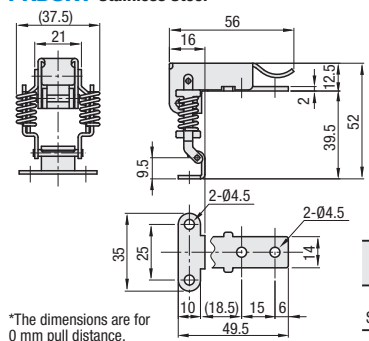
RoHS 10

PKWSA

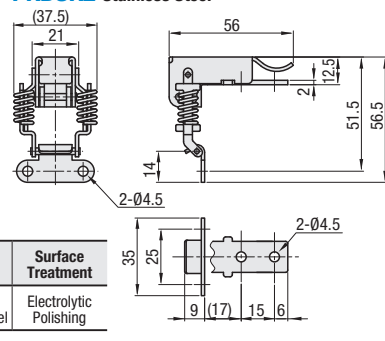


Recommended Mounting Hole Pitch

PKBSK1 Stainless Steel



PKBSK2 Stainless Steel




*The dimensions are for 0 mm pull distance.

Part Number	*Pull Force N (kgf)	Mass (g)
PKWSA 1	245 (25)	80

Part Number Example: PKWSA1

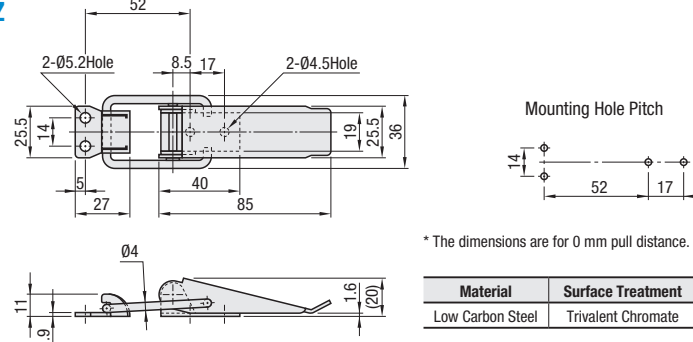
*Pull force is the reference value for 1 mm pull distance.

Snap Locks for Medium Loads



RoHS 10

PKWSZ



Mounting Hole Pitch

PKBSK

Part Number	*Pull Force N (kgf)	Mass (g)
PKBSK 1	44 (4.5)	56
PKBSK 2	44 (4.5)	56

*The dimensions are for 0 mm pull distance.

Part Number	*Pull Force N (kgf)	Mass (g)
PKWSZ 1	245 (25)	79

Part Number Example: PKWSZ1


*Pull force is the reference value for 1 mm pull distance.

Snap Locks / Key Locks

Adjustable / Corner

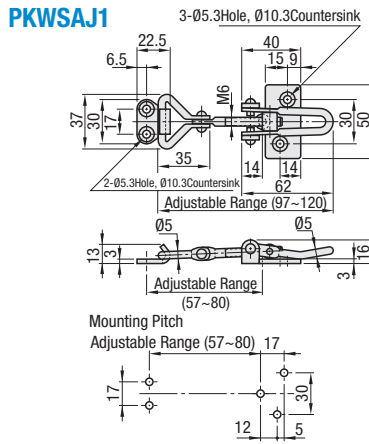
Features: Adjustable by approx. 23 mm when installing draw latches.

Adjustable Snap Locks



RoHS 10

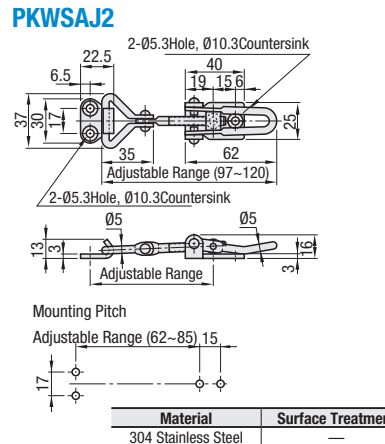
PKWSAJ1



Adjustable Range (57~80)

Mounting Pitch Adjustable Range (57~80) 17

PKWSAJ2




Adjustable Range (97~120)

Mounting Pitch Adjustable Range (62~85) 15

Part Number	*Pull Force N (kgf)	Mass (g)
PKWSAJ 1	588 (60)	100
PKWSAJ 2	588 (60)	90

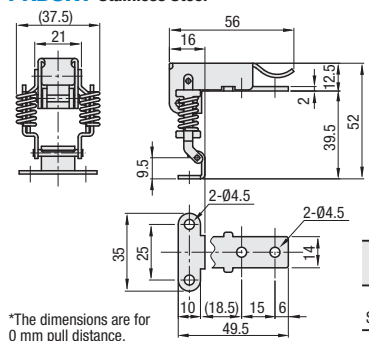
*Pull force is for 1 mm pull distance.

Corner Snap Locks

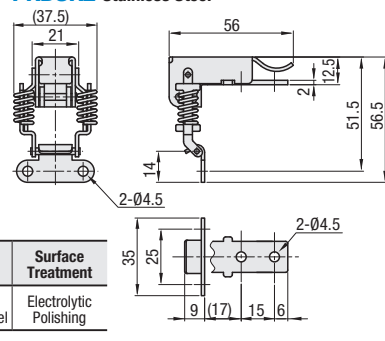


RoHS 10

PKBSK1 Stainless Steel



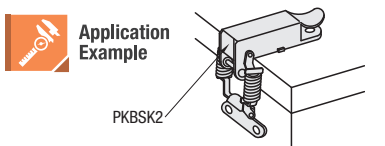
PKBSK2 Stainless Steel



Part Number	*Pull Force N (kgf)	Mass (g)
PKBSK 1	44 (4.5)	56
PKBSK 2	44 (4.5)	56

*The dimensions are for 0 mm pull distance.

Application Example: PKBSK2



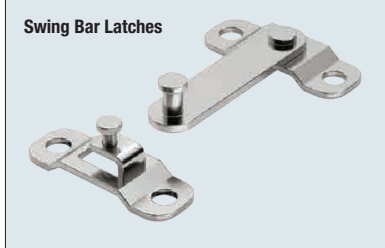
Key Locks



RoHS 10

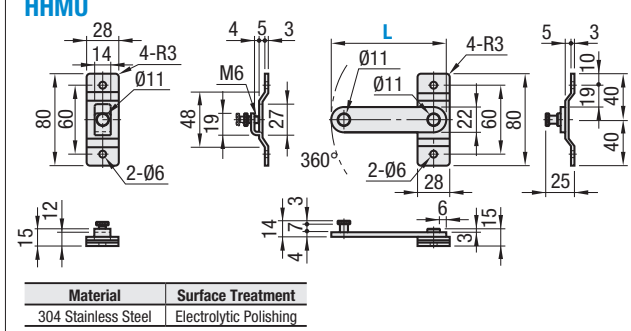
- The cam must turn right or left when locked, and must face upward when unlocked.
- Avoid applying external force to the cam when locked.
- Do not insert or remove the key while rotating. Insert/remove at a predetermined position.

Swing Bar Latches



Application Example

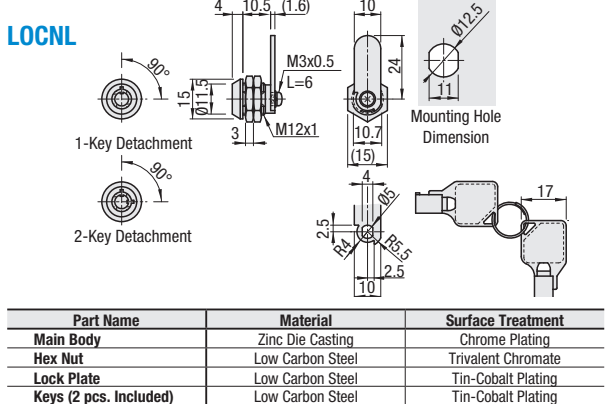
HMMU



Part Number	Key Detachment
LOCNL 1	1 Location
LOCNL 2	2 Locations

Part Number	Mass (g)
HMMU 100	193
HMMU 150	219

LOCNL



Part Name	Material	Surface Treatment
Main Body	Zinc Die Casting	Chrome Plating
Hex Nut	Low Carbon Steel	Trivalent Chromate
Lock Plate	Low Carbon Steel	Tin-Cobalt Plating
Keys (2 pcs. Included)	Low Carbon Steel	Tin-Cobalt Plating

Part Number Example: PKWSAJ1, PKBSK2, LOCNL1, HMMU100

Handles / Hinges / Door Parts