



# Knobs

Knurled Clamp / Checker Knurled Clamp / Stainless Steel Round / Stainless Steel Five Lobed

**Knurled Clamp Knobs**



**Checker Knurled Clamp Knobs**



RoHS10

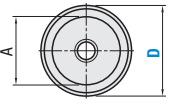
Type		Body	Accessory
Knurling	Checked Patterns	Material	Surface Treatment
KNB	KNBX	1045 Carbon Steel or Equivalent	Black Oxide
KNBM	KNBMX		Electroless Nickel Plating
KNBS	KNBSX	303 Stainless Steel	
KNBSP	KNBSPX		Nylon Washer

**Knurled**

KNB Steel

KNBM Steel

KNBS Stainless Steel

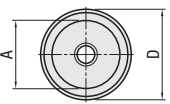


**Checker Knurled**

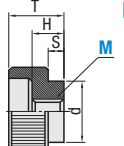
KNBX Steel

KNBMX Steel

KNBSX Stainless Steel

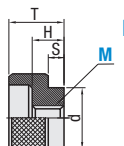


**KNBSP**



Knurled Knobs with Nylon Washer

**KNBSPX**



Checker Knurled Knobs with Nylon Washer

Part Number Type	D		d	A	T	H	S
	M (Coarse)	(Knurl)					
Knurled KNB KNBM KNBS	3	10	12	8.4	7	7.2	4.2
	4	13	16	11.2	9	9.6	5.6
	5	16	20	14	11	12	7
Checker Knurled KNBX KNBMX KNBSX	6	19	24	16	13	14	8
	8	24	30	20	18	17	10
	10	29	36	28	23	20	12
12	32	40	32	26	24	14	8

Selection of D dimension of Checker Knurled Knobs are unavailable.

**Part Number Example**

Part Number - D

KNB3 - 12

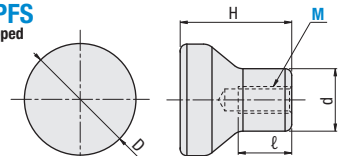
KNBSP5 - 16

KNBX6

KNBSPX8

**Stainless Steel Knobs - Round Knob**

Type	Material	Surface Treatment
NPFS	304 Stainless Steel	Electrolytic Polishing

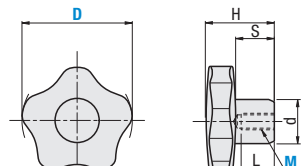


RoHS10

Part Number Type	M (Coarse)	D	H	ℓ	d	Mass (g)
	5	25	25	10	14	49
	6	33	33	14	18	113

**Stainless Steel Knobs - Five Lobed**

Type	Material	Surface Treatment
NPBFS	SCS22 Stainless Cast (JIS) (316 Stainless Steel)	Electrolytic Polishing



RoHS10

Part Number Type	D	M (Coarse)	H	S	L	d	Mass (g)
	40	6	25	13	12	16	115
	50	8	32	16	15	20	220
	63	10	40	21	20	25	435

**With Nylon Washer**

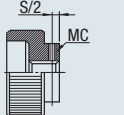
Part Number Type	D		d	A	T	H	S	D <sub>1</sub>	d <sub>1</sub>	t	
	M (Coarse)	(Knurl)									
Knurled KNBSP	5	16	20	14	11	12	7	4	13	5.3	.08
With Nylon Washer											
Checker Knurled KNBSPX	6	19	24	16	13	14	8	4	13	6.3	.08
With Nylon Washer	8	24	30	20	18	17	10	5	18	8.3	1
		30		20	24						

Selection of D dimension of Checker Knurled Knobs are unavailable.

**Part Number Alterations**

Part Number - D - (MC)

KNBS8 - 24 - MC

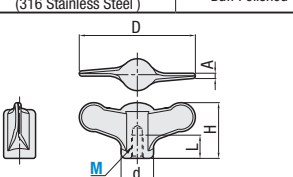
Alteration	Code	Spec.
	MC	Adds a tap for setscrew to KNBS and KNBSX.
		M MC
		8 M3
		10 M4
		12 M5

Applicable M=8

Applicable to M=8 of KNBS and KNBSX.

**Stainless Steel Knobs - Wingnut Type**

Type	Material	Surface Treatment
NPFCFS	SCS22 Stainless Cast (JIS) (316 Stainless Steel)	Buff Polished



RoHS10

Part Number Type	M (Coarse)	D	H	L	d	A	Mass (g)
	6						49
	8						113
	10						113

**Part Number Example**

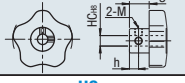
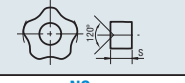
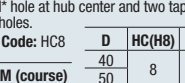
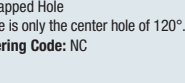
Part Number - L

NPBFS32 - 5

**Part Number Alterations**

Part Number - M - (HC / NC)

NPBFS40 - 6 - HC8

Alterations	H8 Hole + Tapped Hole Machining		No Hole	
				
Code	HC		NC	
Spec.	Adds an H <sup>*</sup> hole at hub center and two tapped setscrew holes.		No Tapped Hole. There is only the center hole of 120°.	
	Ordering Code: HC8		Ordering Code: NC	
	HC(H8)	M (course)	D	HC(H8)
	8 / 10	5	40	8
			50	6
			63	10
			8	8

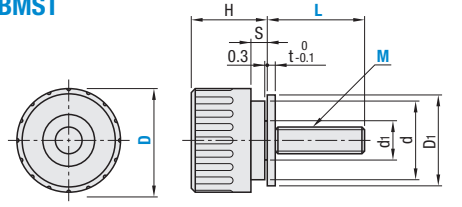
Applicable to NPBFS only. Shaft Bore is a Through-Bore.

# Knurled Knob Screws / Plastic Clamp Knobs

with Washer / with Pad

**Knurled Knob Screws - with Washer**

Type	Material		
	Knobs	Screw	Flat Washer
NBMST	ABS Resin	304 Stainless Steel	303 Stainless Steel

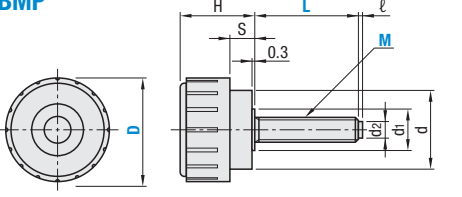


RoHS10

Part Number Type	M (Coarse)-D	L			Knob Color	H	S	d	d <sub>1</sub>	D <sub>1</sub>	t	Reference Mass (g)
		10	15	20								
NBMST	6-20	10	15	20	B Black	14	4	15	10	16	1.5	9
	6-25			15				20				25
	6-32			20		25		20	2	20		
	8-32	15	25					24	12	28	2	24

**Knurled Knob Screws - with Pad**

Type	Material		
	Knobs	Screw	Pad
NBMP	ABS Resin	304 Stainless Steel	Polyacetal (White)



RoHS10

Part Number Type	M (Coarse)-D	L			Knob Color	H	S	d	d <sub>1</sub>	d <sub>2</sub>	ℓ	Reference Mass (g)
		10	15	20								
NBMP	3-16	10	15		B Black	12	2	11	9	1.5	0.5	4
	4-16	10	15					2		5		
	5-16	10	15	20		3	7					
	5-20	15	20	25				14				
	5-25	20	25			10	14					
	6-20	10	15	20				9				
	6-25	15	20	25		18	6	15	10	4	15	
	6-32	20	25					20				
	8-32	15	25			18	6	24	12	6	2	24

**Part Number Example**

Part Number - L - Knob Color

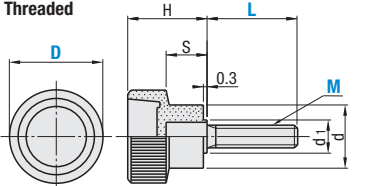
NBMST6-20 - 20 - B

NBMP6-32 - 25 - B

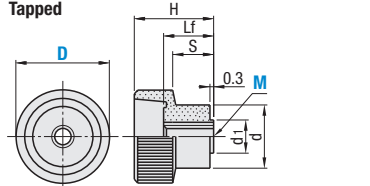
**Plastic Clamp Knobs**

Type	Material	Screw	
		Material	Surface Treatment
NAM	ABS	1045 Carbon Steel or Equivalent	Zinc Plating
NAMS	ABS	Brass (Insert)	Nickel Plating
NAFS	ABS	304 Stainless Steel	

**Threaded**



**Tapped**



RoHS10

Product Number Not RoHS compliant

Part Number Type	M (Coarse) - D	L		Lf	H	S	d	d <sub>1</sub>	Mass (g)	
		NAM / NAMS	NAF / NAFS						NAM / NAMS	NAF / NAFS
NAM	4-18	10	15	9	13	6	10	7	4	2
	5-20	10	15				12			
	5-24	10	15		13	8				
	6-24	10	15		20	10	3			
NAF	6-30	10	15	20	16	7	15	10	12	3
	8-30	15	20	25			14			
NAFS	8-35	15	20	25	11	8	18	12	16	12
	10-35	20	25	19						

**Part Number Example**

Part Number - L

NAM8-30 - 20