




# Casters

Nylon / Urethane / Rubber Wheel

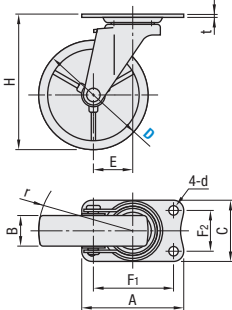


  
Nylon Wheel

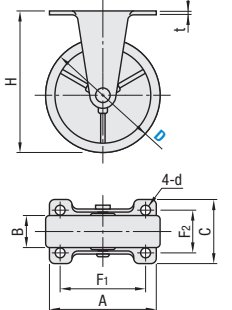
  
Urethane Wheel

  
Rubber Wheel

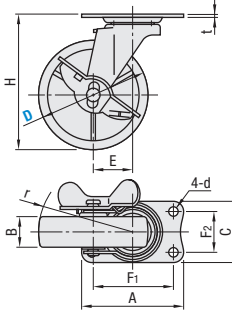
**Swivel**  
**CHAMJ-E**



**Locked**  
**CHAMK-E**





**Swivel + Brake**  
**CHAMS-E**




Body		Wheel			Bearings	
Material	Surface Treatment	Material (Color)			Swiveling	Wheel
Low Carbon Steel	Trivalent Chromate	Synthetic Rubber (Black) / Urethane (Brown) / Nylon (White)			Incorporated	None

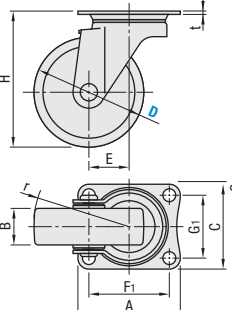
Body Type	Part Number		Wheel Material	H	A	C	F <sub>1</sub>	F <sub>2</sub>	d	E	r	B			t	Allowable Load (N)			Mass (g)		
	Type	D										R	U	N		R	U	N	R	U	N
Swivel	CHAMJ-E	50	R	65	70	42	56	28	6.5	22	47	20	21	21	2	300	400	400	180	165	150
		75														450	500	285	215	200	
		100														500	600	600	600	465	420
		122														500	600	600	600	465	420
Fixed	CHAMK-E	50	U	65	70	42	56	28	6.5	—	—	20	21	21	2	300	380	400	140	120	110
		75														400	400	195	145	135	
		100														400	500	230	160	145	
		122														400	600	505	345	325	
Swivel with Stopper	CHAMS-E	50	N	65	70	42	56	28	6.5	22	47	20	21	21	2	300	380	400	205	185	170
		75														400	400	285	215	215	
		100														400	500	320	250	230	
		122														400	600	670	525	475	

  
Rubber Wheel

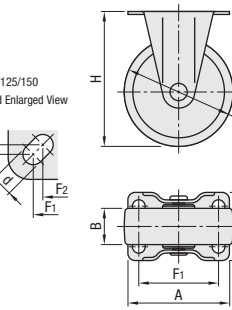
  
Nylon Wheel

  
Urethane Wheel

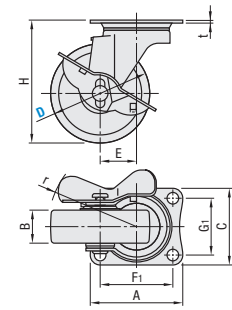
**Swivel**  
**CHAMJ-S**

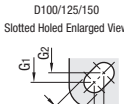


**Locked**  
**CHAMK-S**



**Swivel + Brake**  
**CHAMS-S**





Body		Wheel			Bearings	
Material	Surface Treatment	Material (Color)			Swiveling	Wheel
Low Carbon Steel	Trivalent Chromate	Synthetic Rubber (Black) / Urethane (D50 / 65 / 75 Brown, D100 / 125 / 150 Gray) / Nylon (White)			Incorporated	None

Body Type	Part Number		Wheel Material	H	A	C	F <sub>1</sub>	F <sub>2</sub>	G <sub>1</sub>	G <sub>2</sub>	d	E	r	B			t	Allowable Load (N)			Mass (g)		
	Type	D												R	U	N		R	U	N	R	U	N
Swivel	CHAMJ-S	50	R	70	58	55	—	42	—	8.8	27	53	28	25	28	2.3	500	600	600	325	305	290	
		65															700	700	375	325	310		
		75															800	800	420	345	325		
		100															1200	1000	920	790	770		
		125															1500	1300	1500	1505	1465		
		150															1600	1400	1600	1710	1585		
Fixed	CHAMK-S	50	U	70	47	55	—	28	—	8.8	—	—	25	25	2.3	500	600	600	195	175	160		
		65														700	700	250	200	185			
		75														800	800	295	220	200			
		100														1200	1000	740	610	585			
		125														1500	1300	1135	1090	945			
		150														1600	1400	1290	1160	1100			
Swivel with Stopper	CHAMS-S	50	N	70	58	55	—	42	—	8.8	27	67	28	25	28	2.3	500	600	600	345	335	310	
		65															700	700	430	375	350		
		75															800	800	470	380	360		
		100															1200	1000	1005	875	850		
		125															1500	1300	1690	1650	1505		
		150															1600	1400	1875	1750	1700		

**Part Number Example**


Part Number: CHAMJ-S65 - Wheel Material: R


Part Number: CHAMS-E75 - Wheel Material: U


# Casters

Electrically Conductive / Stainless Steel

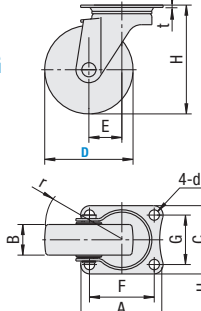


  
Rubber Wheel

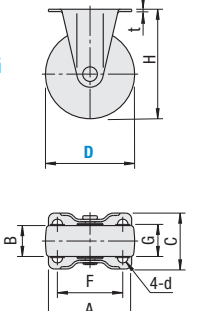
  
Urethane Wheel

  
Conductive Rubber Wheel

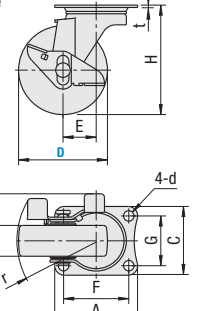
**Swivel**  
**CRJJD**  
**CSRJDG**  
**CSMJU**



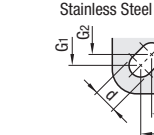
**Locked**  
**CRKDG**  
**CSRKDG**  
**CSMKU**



**Swivel + Brake**  
**CRSDG**  
**CRSJDG**  
**CSMSPU**



⊙ This type does not swivel.



Type	Body		Wheel	Bearings	
	Material	Surface Treatment	Material (Color)	Swiveling Part	Wheel
CRJJD / CRKDG / CRSDG	Low Carbon Steel	Trivalent Chromate	Conductive Rubber (Black)	Incorporated	None
CSRJDG / CSRKDG / CRSJDG	304 Stainless Steel	Barrel Grinding	Rubber (Black)		
CSMJU / CSMKU / CSMSPU	304 Stainless Steel		Urethane (Gray)		
			Nylon (White)		

\* Electrically conductive rubber specific volume resistivity: between 10<sup>2</sup> to 10<sup>4</sup>Ω·cm

## Electrically Conductive Wheel

Body Type	Part Number		D	B	H	A	C	r		K		F	d	t	E	G	Allowable Load (N)	Mass (g)
	Steel	Stainless Steel						Steel	Stainless Steel									
Swivel	CRJJD	CSRJDG	50	20	65	70	42	47	47	—	—	56	6.5	2	22	28	300	190
			65	25	85	58	61	61	—	—	55	8.8	2.3	27	42	500	370	
			75	25	93	58	66	66	—	—	28	31	40	600	420			
			100	25	122	100	82	82	—	—	31	40	500	600				
Fixed	CRKDG	CSRKDG	50	20	65	70	42	—	—	—	—	56	6.5	2	28	300	140	
			65	25	85	47	—	—	—	—	55	8.8	2.3	27	500	250		
			75	25	93	47	—	—	—	—	28	31	40	600	290			
			100	25	122	100	58	58	—	—	40	500	510					
Brake	CRSDG	CRSJDG	50	20	65	70	42	51	51	32	31	56	6.5	2	22	28	300	210
			65	25	85	47	67	67	43	40	27	42	500	430				
			75	25	93	47	68	68	43	40	28	28	600	470				
			100	25	122	100	82	82	44	43	31	40	500	670				

⊙ r indicates the swivel radius of wheel.

## Stainless Steel Casters

Body Type	Part Number		Wheel Material	B			H	A	C	F <sub>1</sub>	F <sub>2</sub>	d	t	E	G <sub>1</sub>	G <sub>2</sub>	K	r	Allowable Load (N)			Mass (g)				
	Type	D		R	U	N													R	U	N					
Swivel	CSMJU	R	Rubber <sup>1</sup>	75	25	26	25	93	70	58	55	—	8.8	2.3	28	42	—	66	600	700	800	390				
				100	29	32	32	132	90	90	71	68	—	—	82	800	1000	1000	950							
				125	32	32	32	168	102	102	80	75	11	3	36	80	75	99	1000	1200	—	1230				
				150	40	40	40	190	102	102	80	75	11	3	40	80	75	115	—	1800	1600	1500				
				75	25	26	25	93	70	47	55	—	8.8	2.3	—	—	—	—	—	600	700	800	270			
				100	29	32	32	132	110	75	90	80	—	—	—	—	—	—	—	800	1000	1000	720			
Fixed	CSMKU	U	Urethane	100	32	32	32	168	140	94	112	100	11	3	—	—	—	—	1000	1200	—	1180				
				125	40	40	40	190	102	02	80	75	—	—	—	—	—	—	1800	1600	1290					
				150	40	40	40	190	102	02	80	75	—	—	—	—	—	—	1800	1600	1290					
				75	25	26	25	93	70	58	55	—	8.8	2.3	68	42	—	43	68	600	700	800	430			
Brake	CSMSPU	N	Nylon <sup>2</sup>	100	29	32	32	132	90	90	71	68	—	—	—	—	—	86	71	68	55	86	800	1000	1000	1060
				125	32	32	32	168	102	80	75	11	3	86	71	68	55	86	800	1000	1000	1340				
				150	40	40	40	190	102	80	75	11	3	97	80	75	65	115	—	1800	1600	1720				
				75	25	26	25	93	70	58	55	—	8.8	2.3	68	42	—	43	68	600	700	800	430			

<sup>1</sup> \* R (Rubber) Type of D dimension 150 is not available for swivel, fixed and stopper type.

<sup>2</sup> \* N (Nylon) Type of D dimension 125 is not available for swivel, fixed and stopper type.

**Part Number Example**

Part Number: CRJJD100 - Wheel Material: U

Part Number: CSMKU125 - Wheel Material: U