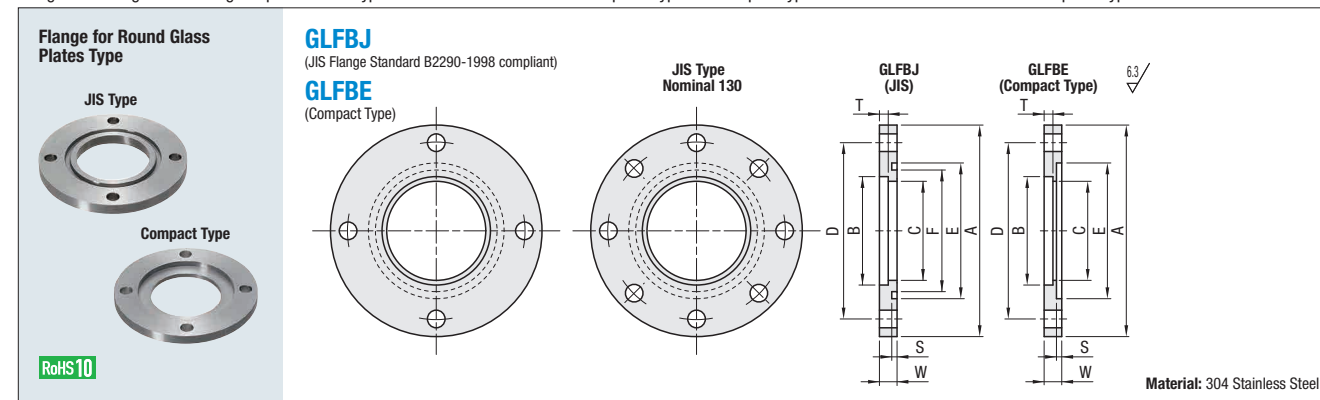


# Flanges / Flange Covers for Glass Plates

## Round Type

Flanges and flange covers for glass plates round type are selectable between JIS-compliant type and compact type which is 15% smaller than JIS-compliant type in outer diameter.

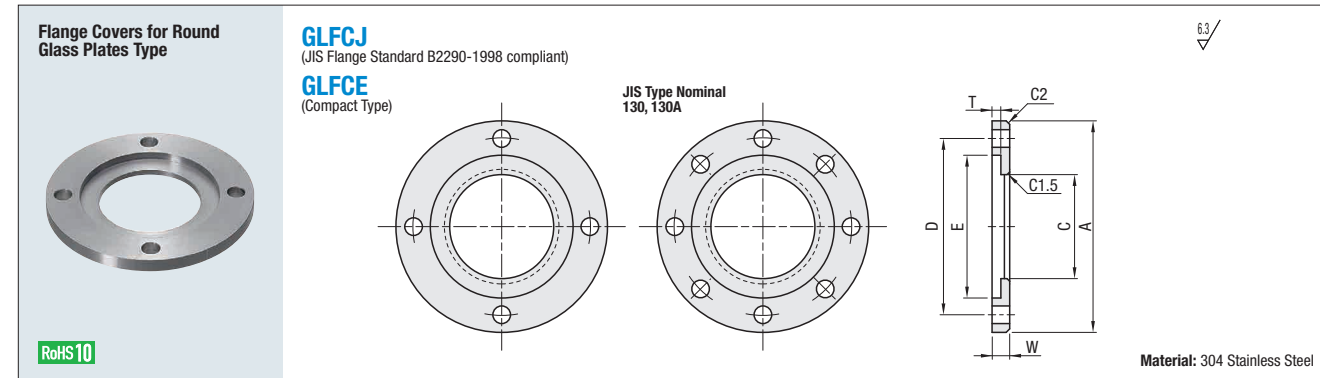


Compact type is not recommended for use in applications where reliability in sealing is required, such as vacuum environment.

Part Number	Type	Nominal (Glass Diameter)	Flange Outer Diameter A	Hollow Weld		Through Hole Pitch Circle Diameter D	Hollow Part Depth T	O-ring Groove			Flange Thickness W	Through Hole No. Diameter	Applicable Hollow Size		
				O.D. B	I.D. C			Suitable O-rings	O.D. E	I.D. F			Depth S	O.D. x I.D.	JIS 3459, 3465
GLFBJ JIS		50	90	35	32.5	70	4	V40	49	40	2.8	8	4-Ø10	34.0 x 31.0	25A
		65	105	49.6	47.1	85	5	V55	64	55	2.8	10	4-Ø10	48.6 x 45.6	40A
		95	145	77.3	74.3	120	5	V85	94	85	2.8	10	4-Ø12	76.3 x 72.3	65A
		130	185	115.3	112.3	160	6	V120	129	120	2.8	12	8-Ø12	114.3 x 110.3	100A
GLFBE Compact		50	75	35	32.5	61.5	4	V40	49	—	2.5	8	4-Ø7	34.0 x 31.0	25A
		65	90	49.6	47.1	76.5	4	V55	64	—	2.5	8	4-Ø7	48.6 x 45.6	40A
		95	125	77.3	74.3	109.5	6	V85	94	—	2.5	10	4-Ø7	76.3 x 72.3	65A
		130	160	115.3	112.3	145.5	8	V120	129	—	2.5	12	4-Ø10	114.3 x 110.3	100A

Part Number Alterations: Part Number - (MAC) GLFBE65 - MAC

Alteration	Through Hole to Tapped Hole
Code	MAC
Spec.	Changes the diameter of through holes Ø7 to M6, Ø10 to M8 and Ø12 to M10. Ordering Code: MAC. Not applicable to flange covers.



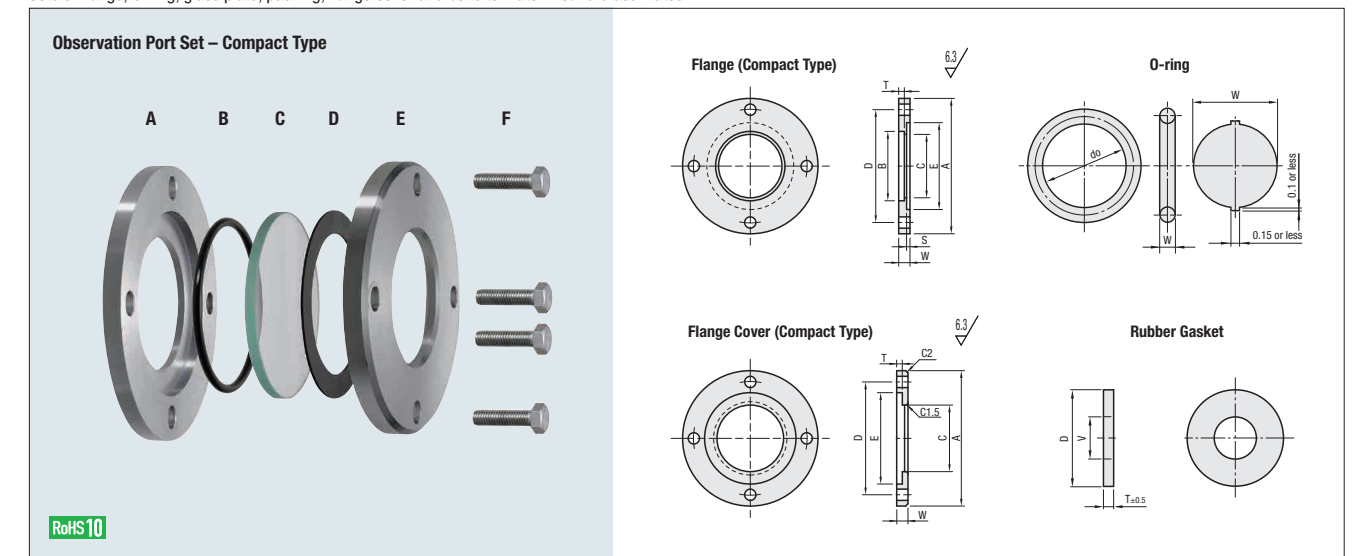
Part Number	Type	Nominal (Glass Dia.)	Glass Thickness	Flange Cover A	O.D. E	I.D. C	Depth T	Cover Thickness W	Through Holes Pitch Circle Diameter D	Number of Through Hole - Diameter
GLFCJ JIS		50	3-3.3	90	51	32.5	4.3	7	70	4-Ø10
		65	3-3.3	105	66	47.1	4.3	7	85	4-Ø10
		95	5.0	145	96	74.3	6	9	120	4-Ø12
		130	8	185	131	112.3	9	13	160	8-Ø12
		130A	10	185	131	112.3	11	15	160	8-Ø12
GLFCE Compact		50	3-3.3	75	51	32.5	4.3	7	61.5	4-Ø7
		65	3-3.3	90	66	47.1	4.3	7	76.5	4-Ø7
		95	5.0	125	96	74.3	6	9	109.5	4-Ø7
		130	8	160	131	112.3	9	13	145.5	4-Ø10
		130A	10	160	131	112.3	11	15	145.5	4-Ø10

Part Number Example: GLFBJ50, GLFCE95

# Observation Port Set

## Compact Type

Sets of flange, O-ring, glass plate, packing, flange cover and bolts to match Round Glass Plates.



Part Number	A	B	C	D	E	F
Standard Type	Material: Flange	O-Ring	Round Glass Plates	Rubber Gaskets	Flange Cover	Screw
Heat Resisting Type (Glass Tolerable Up to 230°C)	304 Stainless Steel	Nitrile Rubber	Reinforced Glass	Nitrile Rubber	304 Stainless Steel	304 Stainless Steel (Nuts, Washers) 4 Sets
		Fluorine	Heat-Resistant Glass	Fluorine		

\*Bolts come with Nuts, Spring Washers and Flat Washers. (4 pcs. Each)

Part Number	A	B	C	D	E	F		
Type	No.	Flange	O-Ring	Glass	Rubber Gaskets	Flange Cover	Screw	
		P.3094	JIS	do	P.3093	D-V-T	P.3094	
Standard Type GLSETN	50	GLFBE50	V40	39.5	GLMK-50-3	50-35-1	GLFCE50	M6-30
	65	GLFBE65	V55	54.5	GLMK-65-3	65-50-1	GLFCE65	M6-30
	95	GLFBE95	V85	84.0	GLMK-95-5	95-80-1	GLFCE95	M6-30
	130	GLFBE130	V120	119.0	GLMK-130-8	130-115-1	GLFCE130	M8-40
Heat Resisting Type GLSETF	50	GLFBE50	V40	39.5	GLMH-50-3.3	50-35-1	GLFCE50	M6-30
	65	GLFBE65	V55	54.5	GLMH-65-3.3	65-50-1	GLFCE65	M6-30
	95	GLFBE95	V85	84.0	GLMH-95-5	95-80-1	GLFCE95	M6-30
	130	GLFBE130	V120	119.0	GLMH-130-10	130-115-1	GLFCE130A	M8-40

Part Number Example: GLSETF65

Application Example

Installation: Use as welded to a pipe. For compatible pipe diameter, refer to the spec list for Flanges for Glass Plate Round Type GLFBE see below.

