

# Factory Frames / Pipe Frame Standard Units

## Overview

### Overview of Standard Units (P.3006-3018)

- With these pipe frame units, the Part Number and the number of the components are fixed only by specifying the component types and each dimension.
- All the materials needed to construct a unit can be specified by just one single Type Number.
- For the assembly drawings, components lists and recommended top panels, visit our website.
- Products other than what is shown in the catalog will be added periodically.

### Components List

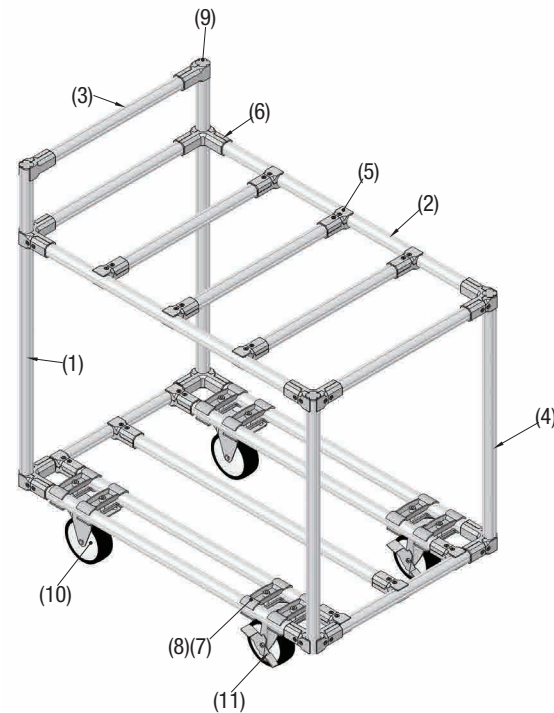
#### PFUB

Number	Part Number	Symbol	Pc.	Page
(1)	PFS28-Color-(T-133)	Pipe Frames	2	P.3006
(2)	PFS28-Color-(D-103)	Pipe Frames	7	
(3)	PFS28-Color-(W-103)	Pipe Frames	8	
(4)	PFS28-Color-(H-133)	Pipe Frames	2	P.3009
(5)	PBLSN1	Metal Joints	14	
(6)	PBLSN2	Metal Joints	8	P.3019
(7)	JBS005	Caster Connecting Parts	8	
(8)	JBS006	Caster Connecting Parts	8	P.3013
(9)	PJ503-W (White)	Inner Cap	4	
(10)	PHCHK100	Casters	2	
(11)	PHCHS100	Caster with Stopper	2	P.3018

#### FFUB

Number	Part Number	Symbol	Pc.	Page
(1)	FFA28- (T-133)	Factory Frames	2	P.3006
(2)	FFA28- (D-110)	Factory Frames	7	
(3)	FFA28- (W-110)	Factory Frames	8	
(4)	FFA28- (H-133)	Factory Frames	2	P.2996
(5)	FFB1	Metal Joints	14	
(6)	FFB2	Metal Joints	8	P.3019
(7)	JBS005	Caster Connecting Parts	8	
(8)	JBS006	Caster Connecting Parts	8	P.2998
(9)	FFS103	Inner Cap	4	
(10)	PHCHK100	Casters	2	
(11)	PHCHS100	Caster with Stopper	2	P.3018

### Assembly Drawing



#### For Shelf Panels

This unit doesn't include top panels or shelf panels. Please order separately if necessary.

#### For Top Panel

Select the product among the lineup from P.3052-3056

Material	Part Number	Page
Double-Sided Melamine Resin Glued Laminated Plywood	MPBHA10 / MPBHA15 / MPBHA20	P.3052
Laminated Plywood	PBHA12 / PBHA16 / PBHA20	
Single-Sided Rubber Glued Laminated Plywood (Standard Type)	NTBHA10 / NTBHA14 / NTBHA20	P.3054
Single-Sided Rubber Glued Laminated Plywood (Antistatic Type)	ATBHA10 / ATBHA14 / ATBHA20	
Double-Sided Melamine Resin Glued Laminated Plywood with Soft Edge	MPBHR10 / MPBHR15 / MPBHR20	P.3056
Single-Sided Rubber Glued Laminated Plywood with Soft Edge (Standard Type)	NTBHR10 / NTBHR14 / NTBHR20	
Single-Sided Rubber Glued Laminated Plywood with Soft Edge (Antistatic Type)	ATBHR10 / ATBHR14 / ATBHR20	
Aluminum Glued Laminated Plywood with Soft Edge	ALBHR10 / ALBHR15 / ALBHR20	

#### Part Number Example

Part Number - A - B - Color - R - E - S  
 Select from the above table - W - D - Color - 10 - 32 - 32

#### For Shelf Mounting

Use PJ706B (P.3014) or FFB6 (P.2996)

#### For Bottom Shelf Panel

Select the product among the lineup from P.3052-3056

Material	Part Number	Page
Double-Sided Melamine Resin Glued Laminated Plywood	MPBH10 / MPBH15 / MPBH20	P.3052
Laminated Plywood	PBH12 / PBH16 / PBH20	
Single-Sided Rubber Glued Laminated Plywood (Standard Type)	NTBH10 / NTBH14 / NTBH20	P.3054
Single-Sided Rubber Glued Laminated Plywood (Antistatic Type)	ATBH10 / ATBH14 / ATBH20	
Double-Sided Melamine Resin Glued Laminated Plywood with Soft Edge	MPBHR10 / MPBHR15 / MPBHR20	P.3056
Single-Sided Rubber Glued Laminated Plywood with Soft Edge (Standard Type)	NTBHR10 / NTBHR14 / NTBHR20	
Single-Sided Rubber Glued Laminated Plywood with Soft Edge (Antistatic Type)	ATBHR10 / ATBHR14 / ATBHR20	
Aluminum Glued Laminated Plywood with Soft Edge	ALBHR10 / ALBHR15 / ALBHR20	

#### Part Number Example

Part Number - A - B - Color - E - S - X - Y  
 Select from the above table - W - D - Color - 32 - 32 - 32 - 32

# Pipe Frame / Factory Frame Standard Units

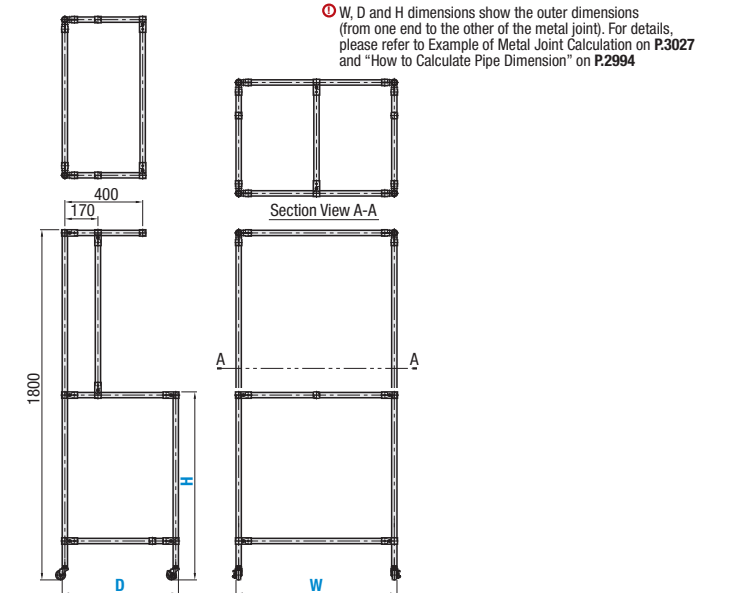
## Work Bench

### Factory Frame Standard Units - Work Bench



#### PFUA Pipe Frame

#### FFUA Factory Frame



- Ⓢ W, D and H dimensions show the outer dimensions (from one end to the other of the metal joint). For details, please refer to Example of Metal Joint Calculation on P.3027 and "How to Calculate Pipe Dimension" on P.2994
- Ⓢ The unit needs to be assembled by customers. For the standard units, the bill of materials is automatically determined when the customer specifies the material type and dimensions. The units are complete by customers simply assembling the arrived materials.
- Ⓢ The picture unit has SR2 alteration. For top and shelf panels, please order separately if necessary.
- Ⓢ The pictured model is PFUA.

Part Number		W	D	H
Type	Frame / Color	1 mm Increment	1 mm Increment	1 mm Increment
PFUA Pipe Frame	W White	400-1200	400-1000	400-1200
	V Ivory			
	S Dark Gray			
FFUA Factory Frame				

Ⓢ For frame types and colors, refer to P.2995

Part Number Example	Part Number	W	D	H
PFUAV	- W1000	- D600	- H800	
FFUA	- W1150	- D900	- H850	

Part Number		W
Type	Frame / Color	
PFUA Pipe Frame	W White	400-600
	V Ivory	601-800
	S Dark Gray	801-1000
		1001-1200
FFUA Factory Frame		400-600
		601-800
		801-1000
		1001-1200

Part Number Alterations	Part Number	W	D	H	(TC / SPN / FR / SR / FFR / FSR)
PFUAS	- W900	- D550	- H900		TC2000-FR1
FFUA	- W900	- D550	- H900		TC2150-FSR2

Alteration	Code	Spec.
Full Height	TC	Changes the full height. Ⓢ TC = 1 mm Increment Ⓢ 1600 ≤ TC ≤ 2200 Ordering Code: TC2050
Wrenches for mounting casters	SPN	Adds wrench for mounting casters JBS009 (P.3019).

Alteration	Code	Spec.
Adds Pipe Frame Joints for flat shelves	FR	Adds Pipe Frame Joints for flat shelves. Components List (1) PFS28-Color-(W-104) 2 Pcs. (2) PBLSN1 4 Pcs. Ⓢ Available for PFUA only Ordering Code: 1 board → FR1, 2 boards → FR2
Adds Pipe Frame Joints for inclined shelves	SR	Adds Pipe Frame Joints for inclined shelves. Components List (1) PFS28-Color-(W-104) 3 Pcs. (2) PBLSN1 6 Pcs. Ⓢ Available for PFUA only Ordering Code: 1 board → SR1, 2 boards → SR2

Alteration	Code	Spec.
Adds Pipe Frame Joints for flat shelves	FFR	Adds a Factory Frame Joint for flat shelves. Components List (1) FFA28-(W-110) 2 Pcs. (2) FFB1 4 Pcs. Ⓢ Available for FFUA only Ordering Code: 1 board → FFR1, 2 boards → FFR2
Adds Pipe Frame Joints for inclined shelves	FSR	Adds a Factory Frame Joint for inclined shelves. Components List (1) FFA28-(W-110) 3 Pcs. (2) FFB1 6 Pcs. Ⓢ Available for FFUA only Ordering Code: 1 board → FSR1, 2 boards → FSR2