



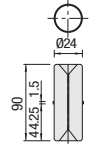
Accessory Parts

Accessory Parts

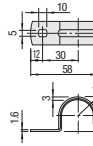



Part Number	Material	Surface Treatment
JBS201	303 Stainless Steel	—
JBS301	Low Carbon Steel	Trivalent Chromate
FFS102	Low Carbon Steel	Trivalent Chromate
JBS306	Low Carbon Steel	Trivalent Chromate
JBS402	Polychloroprene	—
JBS403	Styrene-Butadiene Rubber	—

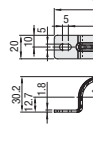
Pipe Joining Fitting
JBS201



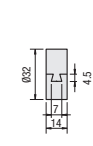
Saddles with One Fixing
JBS301 (Set of 4)



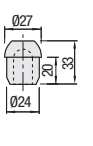
Saddles with Two Fixings
FFS102 (Set of 4)



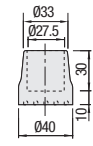
JBS306



Inner Rubber Cap
JBS402



Outer Rubber Cap
JBS403


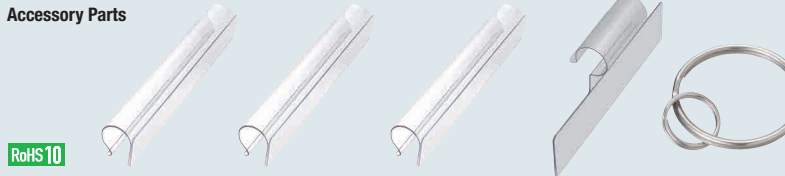


Part Number	Mass (g)
JBS201	59
JBS301*	19
FFS102*	24
JBS306	28
JBS402	15
JBS403	31

 **Part Number Example** Part Number JBS301

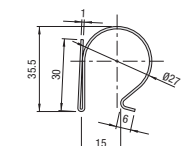
*JBS301, FFS102 come in a set of 4 pieces.

Accessory Parts

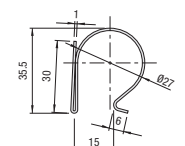



Part Number	Material	Surface Treatment
JBS601	Polyester	—
JBS601S		
JBS611		
JBS612		
FFS106	1018 Carbon Steel or Equivalent	Chrome Plating

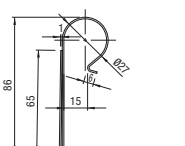
Name Holder
JBS601



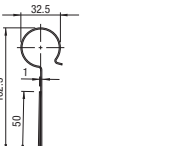
Name Holder
JBS601S



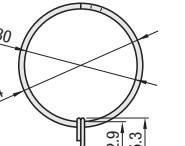
Name Holder
JBS611



Name Holder
JBS612



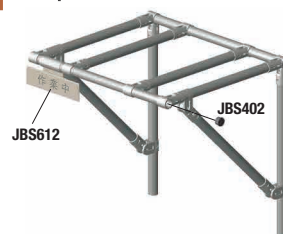
Ring Slider
FFS106 (Set of 10)



Part Number	Mass (g/pc.)
JBS601	34
JBS601S	16
JBS611	49
JBS612	41
FFS106	14

 **Part Number Example** Part Number JBS601

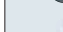

 **Application Example**



Adjusting Bolts / Insert Nut

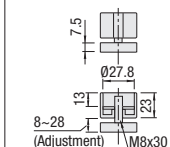
Stainless Steel

Adjusting Bolts

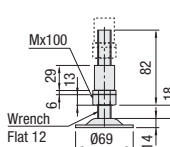



Part Number	Material	Surface Treatment
JBS202	Low Carbon Steel	Trivalent Chromate
JBS401	Polypropylene	—
JBS404	Low Carbon Steel	Trivalent Chromate
JBS405		
JBS406		
JBS407		
JBS408	Plastic Styrene-Butadiene Rubber	—
	AAS Resin	—

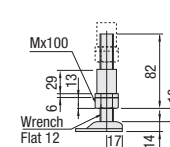
Adjuster
JBS401



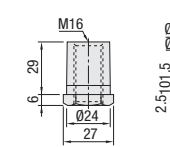
Adjustment Bolt A Set
JBS404



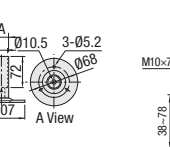
Adjustment Bolt B Set
JBS405



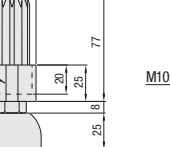
Insert Nuts
JBS406



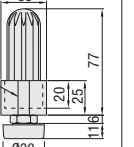
Pipe Stand S
JBS202



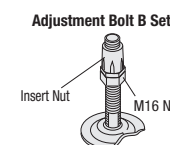
Inner Stand
JBS407



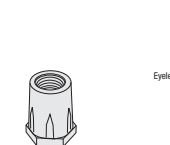
Inner Stand
JBS408



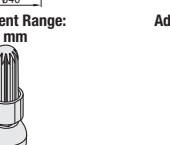
Adjustment Bolt B Set



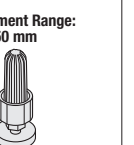
Pipe Stand S



Adjustment Range: 40 mm



Adjustment Range: 50 mm





Stroke: 20 mm

Part Number	Color	Mass (g)
JBS202	—	302
JBS401	W / S	35
JBS404	—	330
JBS405		305
JBS406		75
JBS407		126
JBS408	W White	92

 **Part Number Example** Part Number - Color
JBS202 - W
JBS401 - W

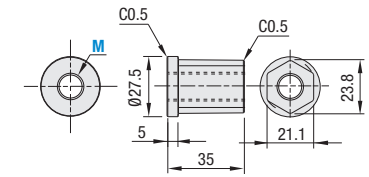
Insert Nut Stainless Steel

PFINS


Tapered part from tip to head (1.2") allows insertion into inner diameters of pipe frames.

Material: Stainless Steel



Part Number		Mass (g)
Type	M	
PFINS	8	89
	10	85
	12	82

 **Part Number Example** Part Number PFINS10

 The insert nut can also be used with the standard adjustment pads. (P.3166)