


Aluminum Extrusions (HFS8-45 Series)

50, 100 mm Square

HFS8-45 Series		Fixing Parts			Others	
Brackets	Nuts	Joints	Extrusion End Caps	Alteration		
P.2816-2830	P.2831-2838	P.2842-2857	P.2839-2841	P.2862-2863		

Features: Convenient for switching from Cut-and-Weld tubing methods.



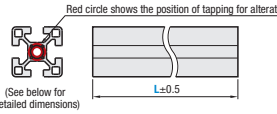
HFS8 Series Aluminum Extrusions - 50, 100 mm Square

RoHS 10

Type		Material	Surface Treatment
Configurable Length	Fixed Length		
GFS8	KGFS8	A6061SS-T6	Clear Anodize
HFS8	KHFS8		
HFS_8	KHFS_8	A6N01SS-T5 Aluminum Alloy or 6005A-T5 Aluminum Alloy	Black Anodize
HFSB8	KHFSB8		

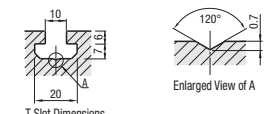
ⓘ Cut surface and altered parts are not surface treated.

Details of slot (HFS/ GFS)



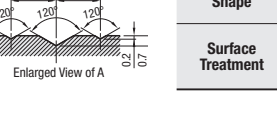
(See below for detailed dimensions)

Details of slot bottom (HFS Series)



T Slot Dimensions

Details of slot bottom (GFS Series)

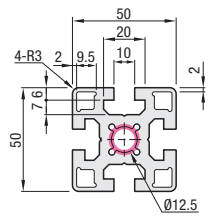


Enlarged View of A

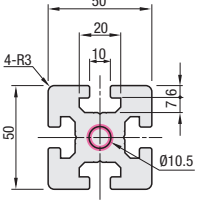
Features of Extrusions

Cross Section Shape	HFS Extrusions	GFS Extrusions
	Standard cross section shape.	Suitable for heavier devices due to the thick walls.
	Clear Anodize	Common surface treatment.
	Black Anodize	Effective in where light reflection is not desirable.

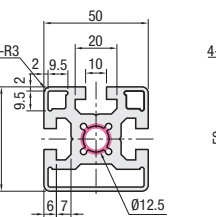
HFS8-5050
HFSB8-5050
(Black Anodize)



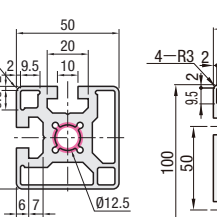
GFS8-5050
(High Rigidity)



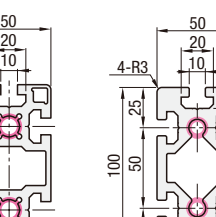
HFSF8-5050



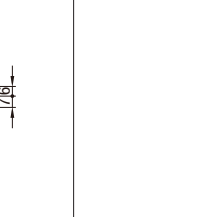
HFST8-5050



HFS8-50100
HFSB8-50100



GFS8-50100



Configurable Length Extrusions

Part Number	L 0.5 mm Increment	Mass kg/m	Sectional Area mm ²	Cross Sectional Moment of Inertia mm ⁴	
				ℓ _x	ℓ _y
HFS8	5050	3.43	1150	26.64 x 10 ⁴	26.64 x 10 ⁴
HFSB8 Black Anodize					
GFS8 High Rigidity					
HFSF8					
HFST8					
HFS8					
HFS8	50100	5.39	1996	53.0 x 10 ⁴	211.21 x 10 ⁴
HFSB8 Black Anodize					
GFS8 High Rigidity					

Fixed Length Extrusion (Effective Length 4,000 mm, 1,000 mm)

ⓘ Part numbers beginning with the character "K" indicate Fixed Length Extrusion.

Part Number	L mm	Sectional Area mm ²	Cross Sectional Moment of Inertia mm ⁴	
			ℓ _x	ℓ _y
KHFS8	4000	1150	26.64 x 10 ⁴	26.64 x 10 ⁴
KHFSB8 Black Anodize				
KGFS8 High Rigidity				
KHFSF8				
KHFST8				
KHFS8				
KHFS8	50100	1996	53.0 x 10 ⁴	211.21 x 10 ⁴
KHFSB8 Black Anodize				
KGFS8 High Rigidity				


Part Number Example	Part Number	-	L
	HFS8-5050	-	800
	KHFS8-5050	-	4000

Aluminum Extrusions (HFS8-45 Series)

50, 100 mm Square

HFS8-45 Series		Fixing Parts			Others	
Brackets	Nuts	Joints	Extrusion End Caps	Alteration		
P.2816-2830	P.2831-2838	P.2842-2857	P.2839-2841	P.2862-2863		

Features: Extrusions shaped with [1 x 2 slots], [2 x 4 slots].



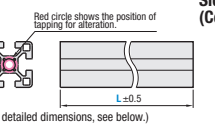
HFS8 Series Aluminum Extrusions - 50, 100 mm Square

RoHS 10

Type		Material	Surface Treatment
Configurable Length	Fixed Length		
GFS8	KGFS8	A6061SS-T6 Equivalent	Clear Anodize
HFS8	KHFS8		
HFSB8	KHFSB8	A6N01SS-T5 Aluminum Alloy or 6005A-T5 Aluminum Alloy	Black Anodize

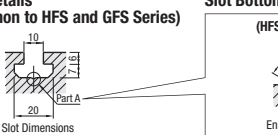
ⓘ Cut surface and altered parts are not surface treated.

Slot Details (Common to HFS and GFS Series)



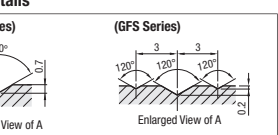
(For detailed dimensions, see below.)

Slot Bottom Details (HFS Series)



Enlarged View of A

Slot Bottom Details (GFS Series)

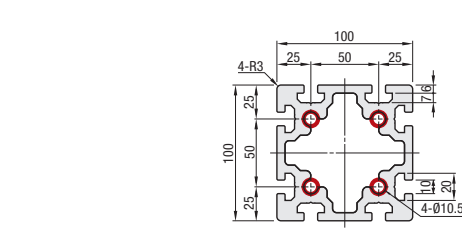


Enlarged View of A

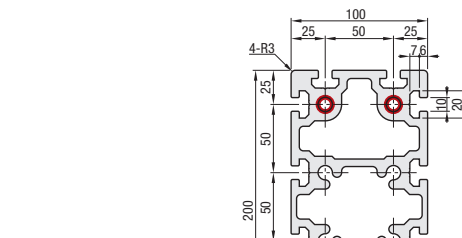
Features of Extrusions

Cross Section Shape	HFS Extrusions	GFS Extrusions
	Standard cross section shape.	Suitable for heavier devices due to the thick walls.
	Clear Anodize	Common surface treatment.
	Black Anodize	Effective in where light reflection is not desirable.

GFS8-100100
(High Rigidity)



GFS8-100200
(High Rigidity)



Configurable Length Extrusions

Part Number	L 0.5 mm Increment	Mass kg/m	Sectional Area mm ²	Cross Sectional Moment of Inertia mm ⁴	
				ℓ _x	ℓ _y
GFS8 High Rigidity	100100	10.68	3957	465.8 x 10 ⁴	465.8 x 10 ⁴
	100200				
	50-4000	20.45	7574	874.3 x 10 ⁴	3179.53 x 10 ⁴

Fixed Length Extrusion (Effective Length 4,000 mm, 1,000 mm)

ⓘ Part numbers beginning with the character "K" indicate Fixed Length Extrusion.

Part Number	L mm	Sectional Area mm ²	Cross Sectional Moment of Inertia mm ⁴	
			ℓ _x	ℓ _y
KGFS8 High Rigidity	100100	3957	465.8 x 10 ⁴	465.8 x 10 ⁴
	100200			
	4000 (Effective Length)	7574	874.3 x 10 ⁴	3179.53 x 10 ⁴

Part Number Example	Part Number	-	L
	GFS8-100100	-	800
	KGFS8-100200	-	4000