


Posts for Tension Springs

Hole / Notched Hole

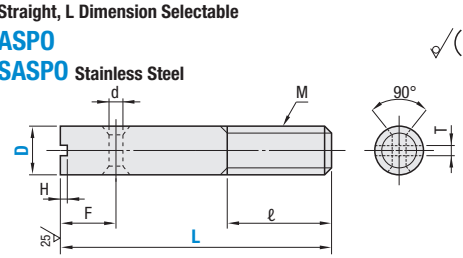
Posts for Tension Springs - Hole



RoHS10

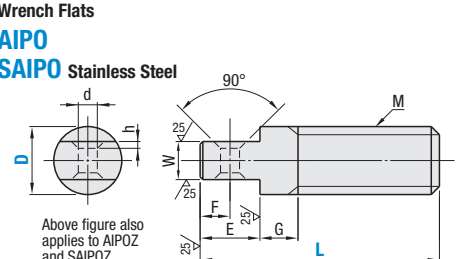
Straight, L Dimension Selectable

ASPO SASPO Stainless Steel



Wrench Flats

AIPO SAIPO Stainless Steel



Above figure also applies to AIPOZ and SAIPOZ

Type	Material	Surface Treatment	Accessories
ASPO AIPO AIPOZ	1045 Carbon Steel or Equivalent	Black Oxide	Nut 1 pc. 1018 Carbon Steel or Equivalent (JIS Class 1)
SASPO SAIPO SAIPOZ	304 Stainless Steel	—	Nut 1 pc. 304 Stainless Steel (JIS Class 1)

Ⓢ The ℓ dimensions marked with * in the specification table are for dimensions in the right table.


Type	D - L	ℓ
ASPO SASPO	3-10	5
	5-15	8
	6-20	12
	8-20	11
	8-25	16
	10-30	17
	10-35	22
	12-40	20

Part Number	Type	D	L										M (Coarse)	ℓ*	F	H	T	d	
L Dimension Selectable ASPO	3	*10	15	20	25	30	35	40						M3	10	3	1.0		1.5
	4		15	20	25	30	35	40			50			M4					2.0
	5		*15	20	25	30	35	40			50			M5					2.0
	6			*20	25	30	35	40	45	50	60			M6	16	5	2.0	1.2	3.0
	8			*20	*25	30	35	40	45	50	60	70		M8	20	6			4.0
	10					*30	*35	40	45	50	60	70		M10	25	7		2.5	4.0
SASPO Stainless Steel	12						*40	50	60	70			M12	30	9			1.8	6.0

Part Number	Type	D	L										M (Coarse)	d	W	G	E	F	h
Wrench Flats AIPO	3		15	20	25	30							M3	1.5	3	3.0	1.5	0.2	
	4		15	20	25	30	35						M4	1.5		3.5	1.75	0.3	
	5		15	20	25	30	35	40					M5	2.0		4.0	2.0	0.4	
	6			20	25	30	35	40	50				M6	3.0	5	5.0	2.5	0.5	
	8			20	25	30	35	40	50	60	70		M8	3.0	5.0	7.0	3.5	1.0	
	10					30	35	40	50	60	70		M10	4.0	6.0	10.0	4.0	1.2	
SAIPO Stainless Steel	12					35	40	50	60	70		M12	5.0	7.0	12.0	5.0	1.4		

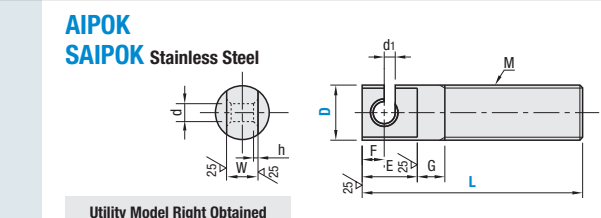
Part Number	Type	D	L										M (Coarse)	d	W	E	F	h
Full Thread under Head AIPOZ	3		10	15	20	25	30						M3	1.5	1.5	3.0	1.5	0.2
	4		10	15	20	25	30	35					M4	1.5	2.5	3.5	1.75	0.3
	5		10	15	20	25	30	35					M5	2.0	3.0	4.0	2.0	0.4
	6			15	20	25	30	35	45				M6	2.0	3.5	5.0	2.5	0.5
	8			15	20	25	30	35	45	55	65		M8	3.0	5.0	7.0	3.5	1.0
	10					25	30	35	45	55	65		M10	4.0	6.0	10.0	4.0	1.2
SAIPOZ Stainless Steel	12							45	55	65		M12	5.0	7.0	12.0	5.0	1.4	

Posts for Tension Springs - Notched Hole



RoHS10

AIPOK SAIPOK Stainless Steel



Utility Model Right Obtained

Type	Material	Surface Treatment	Accessory
AIPOK	1045 Carbon Steel or Equivalent	Black Oxide	Nut 1 pc. 1018 Carbon Steel (JIS Class 1)
SAIPOK	304 Stainless Steel	—	Nut 1 pc. 304 Stainless Steel (JIS Class 1)

Part Number	Type	D	L										M (Coarse)	d	d ₁	W	G	E	F	h	Working Max. Load N	
Notched Hole AIPOK SAIPOK	4		15	20	25	30							M4	1.5		2.5		3.5	1.75	0.3	80	50
	5		15	20	25	30	40						M5	2.0	1.0	3.0		4.0	2.0	0.4	115	72
	6			20	25	30	40	50					M6	2.0		3.5		5.0	2.5	0.5	179	113
	8				25	30	40	50	60	70			M8	3.0	1.5	5.0		7.0	3.5	1.0	300	189
	10					30	40	50	60	70			M10	4.0	2.0	6.0		10.0	4.0	1.2	433	273
	12						40	50	60	70			M12	5.0	2.5	7.0		12.0	5.0	1.4	590	—

kgf=Nx0.101972
Ⓢ SAIPOK is not available for D12.

Part Number Example

Part Number - L


ASPO5 - 20

SAIPO8 - 40

Posts for Tension Springs

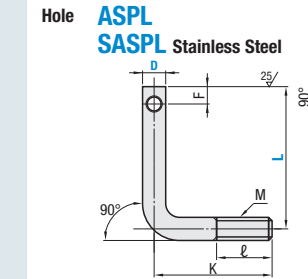
L-Shaped / Hexagon Socket / Hexagon

Posts for Tension Springs - L-Shaped

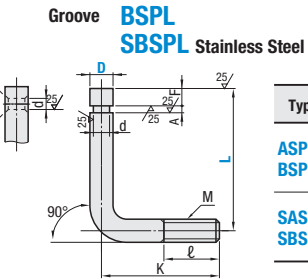


RoHS10

Hole ASPL SASPL Stainless Steel




Groove BSPL SBSPL Stainless Steel



Type	Material	Surface Treatment	Accessory Material
ASPL BSPL	1045 Carbon Steel or Equivalent	Black Oxide	Nut 1 pc. SWCH Carbon Steel Equivalent (JIS Class 1)
SASPL SBSPL	304 Stainless Steel	—	Nut 1 pc. 304 Stainless Steel (JIS Class 1)

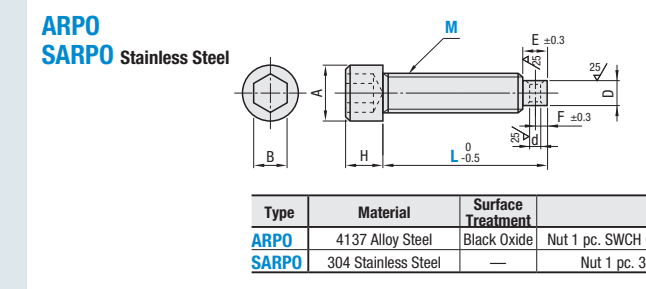
Part Number	Type	D	L				M (Coarse)	K	ℓ	A	F		d	
L-Shaped Hole ASPL SASPL	3		10	15			M3		1.0		3	1.5	1.5	1.8
	4			15	20	25	M4	20	10	1.2		3		2.0
	5				20	25	30	M5		2.0	5		2.0	3.0
Stainless Steel Groove BSPL SBSPL	6			20	25	30	M6	30	16			4		3.6
	8				25	30	M8	40	20	3.0	6		3.0	5.0
Stainless Steel	10					30	M10	50	25		7		4.0	6.0
	12					30	M12	60	30	4.0	9		6.0	6.5

Posts for Tension Springs - Hexagon Socket Head



RoHS10


ARPO SARPO Stainless Steel



Type	Material	Surface Treatment	Accessory
ARPO	4137 Alloy Steel	Black Oxide	Nut 1 pc. SWCH Carbon Steel Equivalent (JIS Class 3)
SARPO	304 Stainless Steel	—	Nut 1 pc. 304 Stainless Steel (JIS Class 3)

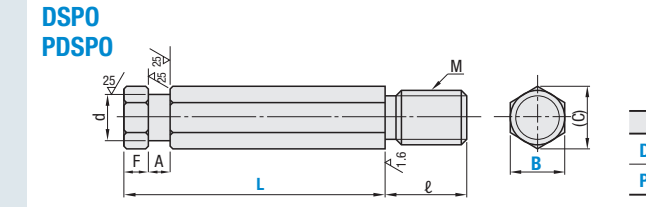
Part Number	Type	M	L							d	D	E	F	A	B	H
Hexagon Socket Head ARPO	4		15	20	25	30			1.5	3.0	3	1.5	7	3	4	
	5		15	20	25	30	35	40	2	3.8	4	2	8.5	4	5	
	6			20	25	30	35	40		4.5			10	5	6	
Stainless Steel SARPO	8			20	25	30	35	40	50	3	6.1	7	3.5	13	6	8
	10				30	35	40	50	60	4	7.8	10	4	16	8	10
	12					40	50	60		5	9.5	12	5	18	10	12

Posts for Tension Springs - Hexagon



RoHS10

DSPO PDSPO



Type	Material	Surface Treatment
DSPO	1213 Carbon Steel	Black Oxide
PDSPO		Electroless Nickel Plating

Part Number	Type	B	L				M (Coarse)	(C)	ℓ	A	F	d	
DSPO	3		10	15			M3	3.5	6	1.0		1.8	
	4		10	15	20		M4	4.6	8	1.2	3	2.0	
	5		10	15	20		M5	5.8	10	2.0		3.0	
PDSPO	6		10	15	20	25	M6	6.9	12			3.6	
	8		10	15	20	25	30	M8	9.2	16	3.0	4	5.0
	10			15	20	25	30	M10	11.5	20			6.0
	12				20	25	30	M12	13.9	24	4.0		6.5

Part Number Example

Part Number - L

ASPL4 - 15

ARPO6 - 20

DSP08 - 25