


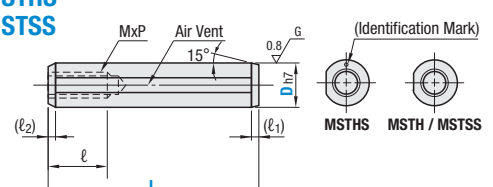
# Dowel Pins / Dowel Removal Jigs

Undersized, *continued*



RoHS10

**MSTH**  
**MSTHS**  
**MSTSS**



(Identification Mark)  
MSTHS    MSTH / MSTSS

0.15 ±0.05

**Air Vent Depth**  
All air vents are identical in depth

**Dowel Pin One End Tapped (h7)**

Type	Material	Hardness
MSTH	52100 Bearing Steel	45-50 HRC min.
MSTHS	440C Stainless Steel	45-50 HRC min.
MSTSS	304 Stainless Steel	—

l <sub>1</sub>	l <sub>2</sub>	M x P	ℓ	D <sub>h7</sub>	Part Number		L												
					Type	D													
1.5	0.3	3 x 0.5	6	0	-0.012	MSTH	5	10	15	20	25	30							
								6	10	15	20	25	30	35	40	50			
2.0	0.5	4 x 0.7	8	0	-0.015		8	15	20	25	30	35	40	45	50	60	70	80	
								10	15	20	25	30	35	40	45	50	60	70	80
2.5	1.0	6 x 1.0	10	0	-0.018		12	20	30	40	50	60	70	80	100	120			
								13	40	50	60	70	80	100	120				
3.0	1.5	8 x 1.25	15	0	-0.018		16	40	50	60	70	80	100	120	150				

l <sub>1</sub>	l <sub>2</sub>	M x P	ℓ	D <sub>h7</sub>	Part Number		L								
					Type	D									
1.5	0.3	3 x 0.5	6	0	-0.012	MSTHS	5	10	15	20					
								6	10	15	20	25	30		
2.0	0.5	4 x 0.7	8	0	-0.015		8	15	20	25	30	35	40	45	
								10	30	35	40	45			


l <sub>1</sub>	l <sub>2</sub>	M x P	ℓ	D <sub>h7</sub>	Part Number		L								
					Type	D									
1.5	0.3	3 x 0.5	6	0	-0.012	MSTSS	5	10	15	20					
								6	10	15	20	25	30		
2.0	0.5	4 x 0.7	8	0	-0.015		8	15	20	25	30	35	40		
								10	30	35	40	45			

Ⓢ When D=5 or 6 and L=10, the pilot hole for tapping may go through. Ⓢ \*ℓ=6 only when D=6 and L=10 Ⓢ With an air vent.  
Ⓢ ℓ<sub>1</sub> and ℓ<sub>2</sub> dimension may become larger than the value shown in the catalog due to polishing process.

**Part Number Example**

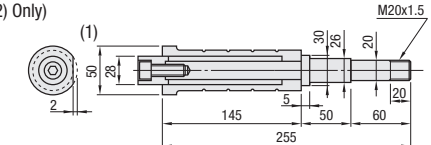
Part Number: MSTHS6 - L: 10

**Dowel Removal Jig**



RoHS10

**KNHN** ((1) Main Body + (2) Holder Cap 1pc. for each)  
**KNHN-M** ((2) Only)



(1) Body  
Material: 1045 Carbon Steel  
Equivalent 38-42 HRC min.

(2) Holder Cap  
For M4, M5, M6, M8, M10

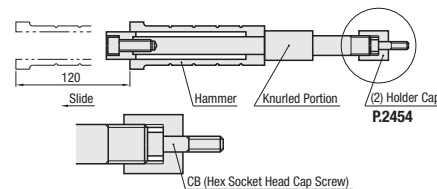
**Part Number Example**

Part Number: KNHN - M5

d	Part Number	No.
4.2	KNHN-M ((2) Only)	4
5.2		5
6.3		6
8.5		8
10.5		10

### How to Use


- Insert the hexagon socket head cap screw (CB) into the holder cap.
- Attach (2) holder cap to the tip of main body.
- Attach screw tip onto the dowel pin by turning the knurled portion of shaft.
- Slide the hammer to remove dowel pin.



# Dual-Fit Dowel Pins

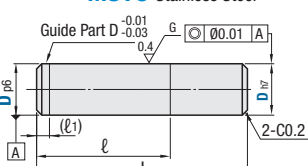
p6-h7 / p6-g6 / Tapped Through-Hole

Dual-Fit Dowel Pins – p6-h7 / p6-g6

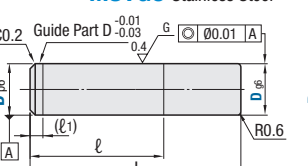


RoHS10

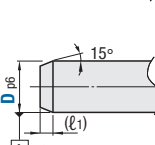
**p6-h7**  
**MSY**  
**MSYC** Stainless Steel



**p6-g6**  
**MSYG**  
**MSYGC** Stainless Steel



6.3 / (0.4) G




Ⓢ For MSYGC, the end shape of the tolerance p6 side is as the above figure.

Type	Material	Hardness
MSY	52100 Bearing Steel	58 HRC min.
MSYC	440C Stainless Steel	

Part Number Type	D	D Tolerance		No.	L	ℓ	ℓ <sub>1</sub>
		p6	h7				
MSY	3	+0.012	0	803	8	3	1
				8		4	
				805		5	
				1003		3	
				1005		5	
				10		7	
				12		6	
				15		10	
				20		13	
				803		3	
				8		4	
				805		5	
1005	5						
10	7						
1008	8						
1205	5						
12	6						
1208	8						
1508	8						
15	10						
1512	12						
20	13						
1003	3						
1005	5						
10	7						
1205	5						
12	6						
1208	8						
1508	8						
15	10						
1512	12						
20	13						
1005	5						
10	7						
1008	8						
1205	5						
12	6						
1208	8						
1508	8						
15	10						
1512	12						
18	12						
20	13						
1005	5						
10	7						
1008	8						
1205	5						
12	6						
1208	8						
1508	8						
15	10						
1512	12						
18	12						
20	13						
18	12						
20	13						
18	12						
20	13						
25	16						
30	19						
18	12						
25	16						
30	19						
18	12						
25	16						
30	19						
40	40						
40	40						
25	25						

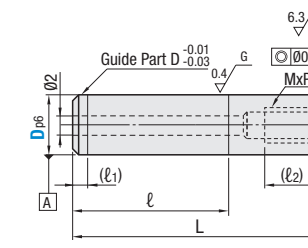
Part Number Type	D	D Tolerance		No.	L	ℓ	ℓ <sub>1</sub>
		p <sub>6</sub>	g <sub>6</sub>				
MSYG	3	+0.012	-0.002	803	8	3	1
				8		4	
				805		5	
				1003		3	
				1005		5	
				10		7	
				12		6	
				15		10	
				20		13	
				803		3	
				8		4	
				805		5	
1005	5						
10	7						
1008	8						
1205	5						
12	6						
1208	8						
1508	8						
15	10						
1512	12						
20	13						
1003	3						
1005	5						
10	7						
1205	5						
12	6						
1208	8						
1508	8						
15	10						
1512	12						
20	13						
1005	5						
10	7						
1008	8						
1205	5						
12	6						
1208	8						
1508	8						
15	10						
1512	12						
18	12						
20	13						
1005	5						
10	7						
1008	8						
1205	5						
12	6						
1208	8						
1508	8						
15	10						
1512	12						
18	12						
20	13						
18	12						
20	13						
25	16						
30	19						
18	12						
25	16						
30	19						
18	12						
25	16						
30	19						
40	40						
40	40						
25	25						

Dual-Fit Dowel Pins – Tapped Through-Hole



RoHS10

Type	Material	Hardness
MSYT	52100 Bearing Steel	58 HRC min.
MSYTC	440C Stainless Steel	—

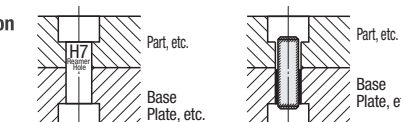


Ⓢ The end shape of the tolerance p<sub>6</sub> side for MSYTC is same as that of MSYGC. Ⓢ ℓ<sub>1</sub> and ℓ<sub>2</sub> dimension may become larger than the value shown in the catalog due to polishing process.

**Part Number Example**

Part Number: MSY3 - No.: 10  
MSY6 - 1208  
MSY8 - 18

**Application Example**



Part, etc.  
Base Plate, etc.