


Wing Screws & Nuts / Button Head Cap Screws / Hex Wrenches / Thumb Screws

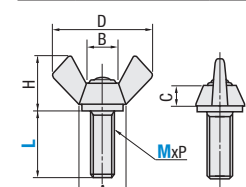
Wing Screws & Nuts



RoHS 10

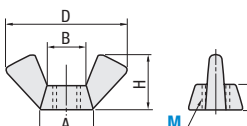
Wing Screws

Type	Material	Surface Treatment
CHOB	SS Cold Forging	Trivalent Chromate
CHBS	304 Stainless Steel or Equivalent	—



Wing Nut


Type	Material	Surface Treatment
CHON	SS Cold Forging	Trivalent Chromate
CHNS	304 Stainless Steel or Equivalent	—



Wing Screws		Wing Nuts	
Part Number	M - L	Part Number	M
CHOB	3 - 6	CHON	3
CHBS	8	CHNS	4
Stainless Steel	10		5
	12		6
	15		8
	20		10
	25		12
	30		
	35		
	40		
	45		
	50		

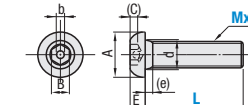
Ⓢ CHBS is not available on M6 for L45.

Button Head Cap Screws – Tamper Proof



RoHS 10

IBNP




Ⓢ Protruding pin in the socket is 0–0.5 mm below the top of screw head.

Material: 304 Stainless Steel or Equivalent

M x P (Coarse)	A	E	B	b	(C) (Min.)	d (Max.)	(e) (Max.)
3 x 0.5	5.7	1.65	2	1.0	1.04	3.6	1
4 x 0.7	7.6	2.2	2.5	1.1	1.3	4.7	1.4
5 x 0.8	9.5	2.75	3	1.3	1.56	5.7	1.6
6 x 1.0	10.5	3.3	4	1.6	2.08	6.8	2
8 x 1.25	14	4.4	5	2	2.6	9.2	2.5

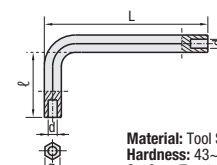
Part Number	M - L
IBNP	3 - 6
	8
	10
	12
	16
	20
	25
	30
	40
	50

Hex Wrenches



RoHS 10


IBKPL



Material: Tool Steel Alloy
Hardness: 43–53 HRC min.
Surface Treatment: Trivalent Chromate Plating

Part Number	Applicable Screws	L	ℓ	d	B
IBKPL	M3	52	16	1.2	2
	M4	58.5	20.5	1.3	2.5
	M5	66	23	1.5	3
	M6	74	29	1.8	4
	M8	85	33	2.3	5

Thumb Screws – Plastic Head

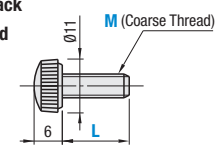


RoHS 10

CRKW White

CRKB Black

CRKR Red




Material: Knurled Head PC (Polycarbonate)
Thread 302HQ Stainless Steel

Part Number	M - L
CRKW White	3 - 6
CRKB Black	8
CRKR Red	10
	12
	15
	20

Usable as screws for cover attachment.

Phillips Pan Head Screws / Flat Head Machine Screws

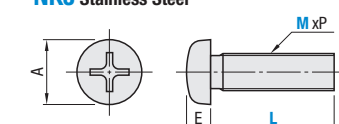
Phillips Pan Head Screws



RoHS 10

BKJ Trivalent Chromate

NKJ Stainless Steel




Type	Material	Surface Treatment
BKJ	SWCH Carbon Steel Equivalent	Trivalent Chromate
NKJ	304 Stainless Steel	—

M x P (Coarse)	A	E	Phillips Number
2 x 0.4	3.5	1.3	1
2.5 x 0.45	4.5	1.7	
2.6 x 0.45	4.5	1.7	
3 x 0.5	5.5	2	2
4 x 0.7	7	2.6	
5 x 0.8	9	3.3	
6 x 1.0	10.5	3.9	3

Part Number Example: **NKJ3-6**

Part Number	M - L
BKJ	2 - 2
	3
	4
	5
	6
	8
	10
	12
	15
	20
NKJ	2.5 - 3
	4
	5
	6
	8
	10
	12
	15
	20

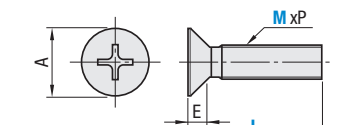
Phillips Flat Head Machine Screws



RoHS 10

BFBJ Trivalent Chromate

SFBJ Stainless Steel



Type	Material	Surface Treatment
BFBJ	SWCH Carbon Steel Equivalent	Trivalent Chromate
SFBJ	304 Stainless Steel or Equivalent	—

M x P (Coarse)	A	E	Phillips Number
2 x 0.4	4	1.2	1
2.5 x 0.45	5	1.45	
2.6 x 0.45	5.2	1.5	
3 x 0.5	6	1.75	2
4 x 0.7	8	2.3	
5 x 0.8	10	2.8	
6 x 1.0	12	3.4	3

Part Number Example: **SFBJ4-10**

Part Number	M - L
BFBJ	2 - 3
	4
	5
	6
	8
	10
	12
	15
	20
SFBJ	2.5 - 3
	4
	5
	6
	8
	10
	12
	15
	20