


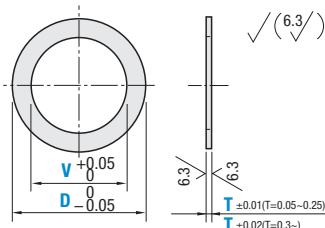
Precision Shim Rings / Wave Washers

Standard / Configurable

Precision Class Shim Rings



RoHS10



Sold by the Package	Dimension Configurable	Material	Hardness
PCIMAS	CIMASF	304H Stainless Steel	370~430 HV min.
PCIMAK	CIMAKF	SK	480~520 HV min.

Standard, Sold by the Package

1 package contains 10 pieces.

Part Number	Type	D	V (I.D.) Selection				T Selection	
5	3							
6	3	4						
7	3	4	5					
8		4	5	6				
9		4	5	6				
10		4	5	6	7	8		
11			5	6	7	8		
12			5	6	7	8		
13				7	8			
14				7	8	10		
15				8	10	12		
16				8	10	12		
20				8	10	12		
22				8	10	12		
25				8	10	12	18	21
28							21	23
30								24


Configurable

Part Number	D	V	T	
	0.5 mm Increment		CIMASF	CIMAKF
			0.05	
			0.06	
			0.07	
			0.08	
			0.09	
		0	0.1	
		No Hole	0.15	0.05
			0.2	0.1
			0.25	0.2
			0.3	0.3
			0.4	0.5
			0.5	1.0
		2.0	0.2	
		2.6	0.3	
		3.0~48.0	0.4	
			0.5	
			0.6	
			0.7	
			0.8	
			0.9	
			1.0	

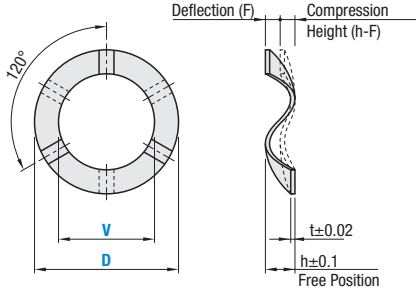
T≤0.2 → V≤D-2 0.3≤T → V≤D-4

Part Number Example: **PCIMAS** - D25 - V10 - T0.2
CIMASF - D25 - V10 - T0.2

Wave Washers



RoHS10



Material: 304 Stainless Steel Hardness: 370~430 HV min.

Part Number Example: **PACK-WWVS** - V3 - D4.2

Standard Sold by the Package


30 pcs. per Package

Type	V		D		T	h	Load (Reference)					
	I.D.	Tol.	O.D.	Tol.	Thickness	Free State Height	Deflection	Compressed Height	Load	Deflection	Compressed Height	Load
						F (mm)	h-F	(N)	F (mm)	h-F	(N)	
PACK-WWVS	3	+0.2 0	3.6	0	0.05	0.5	0.1	0.4	0.35	0.3	0.2	0.77
			4.2	-0.2					0.47			1.96
			5						0.60			0.91
			6						0.87			1.62
			7						0.60			1.11
			8						0.69			1.25
	10	+0.3 0	10		0.1	1.0	0.3	0.7	0.75	0.7	0.3	1.42
			8						3.68			8.39
			10						5.23			15.33
			12						5.10			19.00
			14						1.88			4.93
			16						2.93			8.72
16	+0.5 0	16		0.15	1.5	0.5	1.0	2.84	1.0	0.5	11.00	
		14						1.03			2.71	
		12						1.31			4.46	
		10						1.76			5.82	
		8						0.69			1.71	
		6						0.98			2.58	
20	+0.9 0	20		0.2	3.0	1.0	2.0	1.20	2.0	1.0	3.58	
		18						1.33			2.82	
		16						2.56			5.95	
		14						4.28			12.61	
		12						1.43			3.31	
		10						2.34			5.94	
25	+0.9 0	25		0.2	3.0	1.0	2.0	1.48	2.0	1.0	3.76	
		22						1.74			4.59	
		20						5.40			8.78	
		18						8.20			16.25	
		16						2.92			5.77	
		14						4.30			9.29	

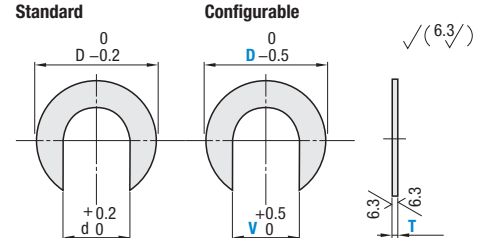
Split Shims

Standard / Configurable

Split Shims



RoHS10



Part Number	Standard	Configurable	Material	Hardness	Tolerance by Thickness					
					0.05	0.1	0.2	0.3	0.5	1.0
CIMW	CIMWF		Low Carbon Steel Equivalent	—	—	±0.03	±0.04	±0.06	±0.11	
CIMWB	CIMWBF		C28000 Brass	—	±0.005	±0.02	±0.03	±0.04	±0.05	±0.08
CIMWS	CIMWSF		304H Stainless Steel	370~430 HV min.	±0.005	±0.02	±0.03	±0.035	±0.04	±0.05
PACK-CIMWS										

Standard

Part Number	Type	No.	T	d	D
		6	(0.05)	6.5	12
		8		8.5	15
		10		10.5	20
		12		13	25
		16		17	30
		20		21	35
		24		25	40
		30		31	50

Part Number Example: **CIMW10** - T 0.2

Standard, Sold by the Package

1 package contains 10 pieces.

Part Number	Type	No.	T Selection	d	D
		6	0.05	6.5	12
		8		8.5	15
		10	0.1	10.5	20
		12	0.2	13	25
		16	0.3	17	30
		20	0.5	21	35
		24	1.0	25	40
		30		31	50

Part Number Example: **PACK-CIMWS12** - T 0.1

Please specify number of packages to order. Quantity 1 means one package.

Configurable

Part Number	T	V	D
		0.5 mm Increment	1 mm Increment
	(0.05)		10~20
	For CIMWBF and CIMWSF Only		
	0.1	3~31	
	0.2		21~50
	0.3		
	1.0		

V≤D-4

Part Number Example: **CIMWF** - T 0.2 - V 8.5 - D 20