


Resin Collars

With Guide

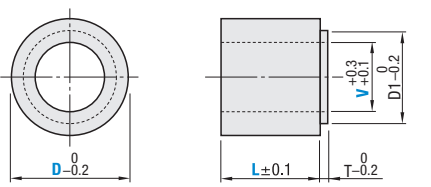
Resin Collars – With Guide



RoHS 10

Type	Material	Color
CLJGJ	Polyacetal	White
CLJGM	MC Nylon Standard Grade	Blue

Material Properties P2332



6.3/

Type	Part Number		L 0.5 mm Increment	D ₁	T			
	D	V						
CLJGJ CLJGM	8	3	2-30	5	1			
		4		6				
		5		7				
	10	3		8		8		
		4		9		9		
		5		10		10		
	12	4		5-40		11	1.5	
		5				12		
		6				13		
	14	5				14		14
		6				15		15
		8				16		16
15	5	10-50	17		2			
	6		18					
	8		19					
16	5		20			20		
	6		21			21		
	8		22			22		
20	5		23	23				
	6		24	24				
	8		25	25				
25	5		26	26				
	6		27	27				
	8		28	28				
30	5	29	29					
	6	30	30					
	8	31	31					

Part Number Example


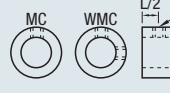
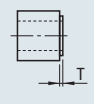
Part Number - V - L

CLJGJ15 - 8 - 20

Part Number Alterations

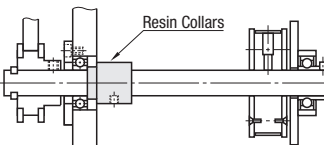
Part Number - V - L - (VKC / MC / WMC / TC)

CLJGM20 - 10 - 25 - TC5

Alterations	I.D. Tolerance	Set Screw Hole (1-Set 2-Set)	T Dimension Change								
											
Code	VKC	MC / WMC	TC								
Spec.	Changes the I.D. Tolerance to +0.1 0 Ordering Code: VKC D-V≥6	Adds a tapped hole (coarse thread) at D part. Ordering Code: MC3 WMC5 Condition of thickness (D-V)/2; as table below. L≥MC / WMCx3 MC / WMC=Select from table below.	Changes the T dimension. Ordering Code: TC3 Specifiable Range: 0.5-10 mm (Specify in 0.5 mm increments.)								
		<table border="1"> <thead> <tr> <th>MC / WMC</th> <th>(D-V)/2</th> </tr> </thead> <tbody> <tr> <td>3, 4</td> <td>3 or More</td> </tr> <tr> <td>5, 6, 8</td> <td>5 or More</td> </tr> <tr> <td>10, 12</td> <td>8 or More</td> </tr> </tbody> </table>	MC / WMC	(D-V)/2	3, 4	3 or More	5, 6, 8	5 or More	10, 12	8 or More	
MC / WMC	(D-V)/2										
3, 4	3 or More										
5, 6, 8	5 or More										
10, 12	8 or More										


Application Example

For bearing inner ring retention



Thermal Insulation / Fluororesin / PPS

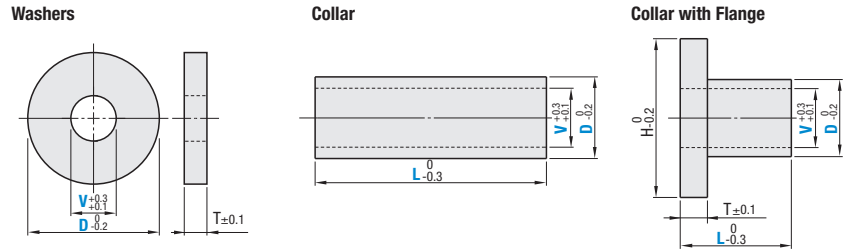
Thermal Insulation / Fluororesin / PPS



RoHS 10

Washers	Collar	Collar with Flange	Material
EPOW	EPOC	EPOB	Epoxy Glass
PTW	PTC	PTB	Fluoro-Resin (Polytetrafluoroethylene)
PKW	PKC	PKB	PEEK

Material Properties P2332



6.3/

Washers

Type	Part Number		V							T
	D		3	4	5	6	8	10	12	
EPOW PTW PKW	10									
	12									
	14									
	15									
	16									
	20									
	25									
	30									
	35									
	40									

Part Number Example

Part Number - V

PTW10 - 3

Collar

Type	Part Number		D										L 1 mm Increment			
	V		2	3	4	5	6	8	10	12	14	15	16	20	25	30
EPOC PTC PKC	2															
	3															
	4															
	5															
	6															
	8															
	10															
	12															
	16															
	20															

Machining Conditions L≤Dx3, only for PTC

Part Number Example

Part Number - D - L

EPOC16 - 25 - 55

Collar with Flange

Type	Part Number		L Selection				H	D	T
	V		3	4	5	6			
EPOB PTB PKB	3						10	6	5
	4						12	8	
	5						15	10	
	6						20	10	
	8						25	12	
	10						30	14	
	12						35	20	
	16						40	20	

Part Number Example

Part Number - L

PKB10 - 10