


# Hollow Type Stands

## Welded Type

Features: Pipe Stands with accurate heights that can also be used as a spacer." to "Hollow Stands with accurate heights that can also be used as a spacer.



Type	Material		Surface Treatment
	Pipe	Brackets	
Round Flanged PSYM PSYK	1020 Carbon Steel	1018 Carbon Steel or Equivalent	Electroless Nickel Plating Black Oxide

**Round Flanged**
**Compact Flanged**

Enlarged View: Only outside is welded.

RoHS 10

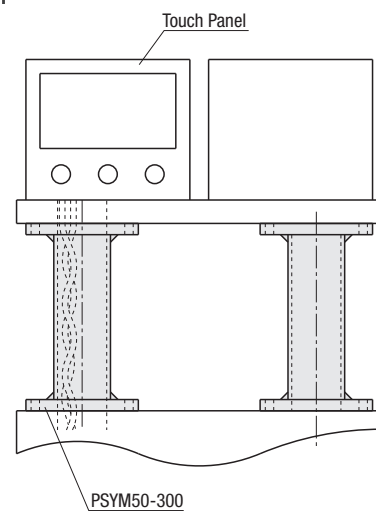
Part Number	L		D	t	A	P.C.D.	T	W	Z	W1	
	Type	Nominal									1 mm Increment
Round Flanged PSYM PSYK	Compact Flange WPSYM	30	50-300	30	4.0	90	70	10	56	56	34
		40		±0.40		100			80		
Compact Flange WPSYM	50	50.8		±0.41	110	90	74	74	50		
	60	60.5		±0.49	120	100	90	76	70		
	70	70		±0.56	130	110	100	80	80		

Part Number Example: Part Number - L  
PSYM40 - 300

Application Example: Touch Panel

Part Number Alterations: Part Number - L - (LKC)  
PSYM40 - 300 - LKC


Alteration	Code	Spec.
	LKC	Changes the tolerance of Dimension L to L±0.05. Ordering Code: LKC



# Hollow Stands

## Threaded Pipes / Threaded Pipes Welded

Features: Can be used with Rotary Connectors on P2281. Select Welded Type for mounting touch panels or boxes.



Type	Material		Surface Treatment	Portion
	Round Flanged	Compact Flange		
PSEG	WPSEG	1020 Carbon Steel 1018 Carbon Steel or Equivalent	Electroless Nickel Plating	Hollow Brackets
PSEGK	WPSEGK	1020 Carbon Steel 1018 Carbon Steel or Equivalent	Black Oxide	Hollow Brackets
PSEGS	—	304 Stainless Steel 304 Stainless Steel	—	Hollow Brackets

Threaded Pipes Welded				
Type	Material		Surface Treatment	Portion
	Round Flanged	Compact Flange		
PSYG	WPSYG	1020 Carbon Steel 1018 Carbon Steel or Equivalent	Electroless Nickel Plating	Hollow Brackets

**Pipes Threaded**
**Round Flanged**
**Compact Flanged**

**Pipes Threaded, Welded**
**Round Flanged**
**Compact Flanged**

RoHS 10