

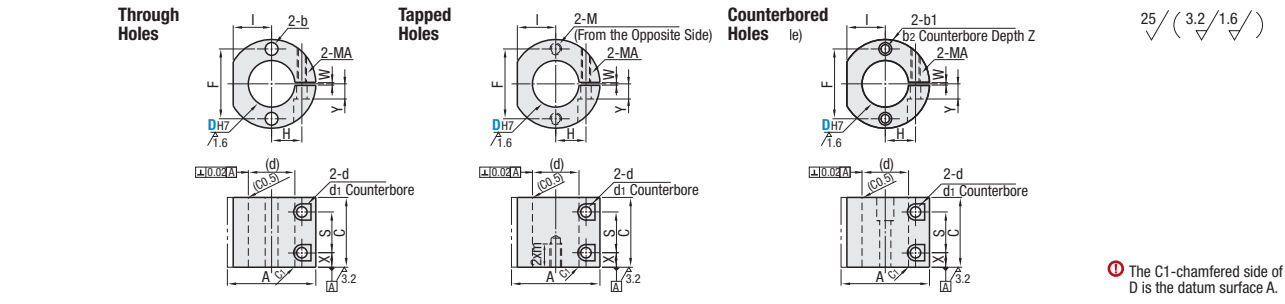
Brackets for Stands

Cylindrical Type / Reversed Fastening Type

Features: Non-flanged compact Brackets for Stands. Installation footprint reduced by 30–40% compared to Standard Type.

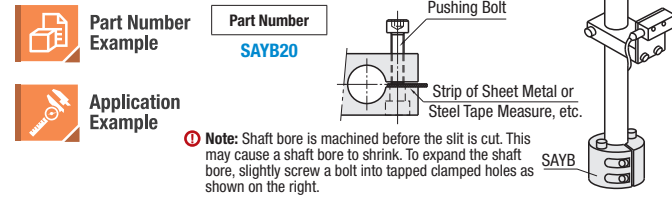
Brackets for Stands – Cylindrical Type

Type			Material	Surface Treatment	Accessories
Through Holes	Tapped Holes	Counterbored Holes			
SAYB	SBYB	SCYB	1018 Carbon Steel or Equivalent	Black Oxide	Hex Socket Head Cap Screw
SAYM	SBYM	SCYM		Electroless Nickel Plating	Hex Socket Head Cap Screw (Stainless Steel)
SAYA	SBYA	—	5056 Aluminum Alloy	Black Anodize	Hex Socket Head Cap Screw
SAYS	—	—	304 Stainless Steel	—	Hex Socket Head Cap Screw (Stainless Steel)



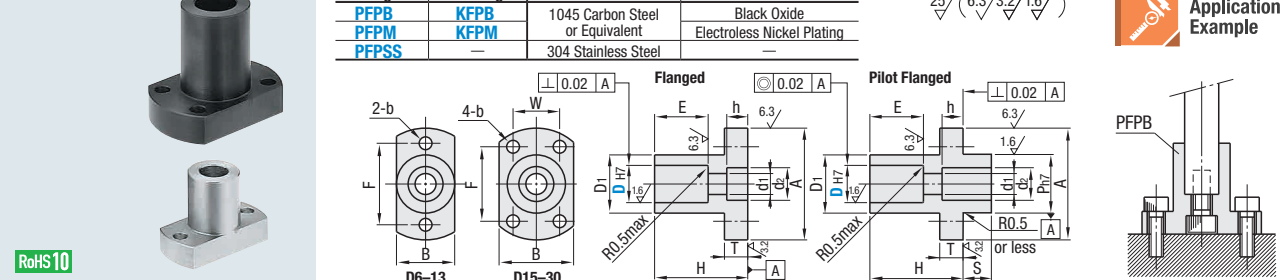
Part Number	Type	D _{H7}	A	C	F	I	H	Through Holes			Tapped Holes			Counterbored Holes			MA	X	S	d	d ₁	Y	W	Included Screws
								b	m	b ₁	b ₂	Z												
10	Through Holes	+0.015	32	19	20	12.5	10.5	5	M5	5	8	4.6	M4	5	9	5	8	5	2	M4-10, 2 pcs				
12	Tapped Holes	+0.018	40	21	28	16	13	7	M6	6	9.5	5.5	M5	5.5	10	6	9.5	6	2	M5-15, 2 pcs				
15	Counterbored Holes	0	45	29	34	18.5	14	7	M6	6	9.5	5.5	M5	7	15	6	9.5	7	2	M5-20, 2 pcs				
20	Through Holes	+0.021	55	34	40	24	18	9	M8	7	11	6.5	M6	7.5	20	7	11	10	2	M6-25, 2 pcs				
25	Tapped Holes	0	60	44	45	27	21	9	M8	7	11	6.5	M6	9.5	25	7	11	10	2	M6-25, 2 pcs				
30	Counterbored Holes	+0.025	70	49	54	31	24	11	M10	9	14	9	M8	12	35	9	14	13	3	M8-30, 2 pcs				
40	Through Holes	0	75	59	58	33	26	14	M12	11	17.5	11	M10	14.5	40	11	17.5	14	3	M10-35, 2 pcs				
50	Tapped Holes	0	90	69	70	40	33	14	M12	11	17.5	11	M10	14.5	40	11	17.5	14	3	M10-35, 2 pcs				

- The tolerance and perpendicularity of D_{H7} is before slitting.
- Recommended Tolerances of Fitting Shafts: g6, f8. For stand posts, see P.2230–2231. Tightening with a long wrench is recommended.



D	Available Types								
	Through Holes			Tapped Hole			Counterbored Hole		
	Black Oxide	Electroless Nickel Plating	Black Oxide	304 Stainless Steel	Black Oxide	Electroless Nickel Plating	Black Anodize	Black Oxide	Electroless Nickel Plating
	SAYB	SAYM	SAYA	SAYS	SBYB	SBYM	SBYA	SCYB	SCYM
10	•	•	•	•	•	•	•	•	•
12	•	•	•	•	•	•	•	•	•
15	•	•	•	•	•	•	•	•	•
20	•	•	•	•	•	•	•	•	•
25	•	•	•	•	•	•	•	•	•
30	•	•	•	•	•	•	•	•	•
35	•	•	•	•	•	•	•	•	•
40	•	•	•	•	•	•	•	•	•
50	•	•	•	•	•	•	•	•	•

Brackets for Stands – Reversed Fastening



Part Number	Type	D _{H7}	A	B	H	D ₁	T	E	d ₁	d ₂	h	F	W	b	Ph ₇	S	Post Mounting Screws	Available Types				
																		PFPB	PFPM	PFPSS	KFPB	KFPM
6	Flanged	28	12	16	12	5	9	3.5	6.5	3.5	20	•	3.5	12	5	M3	•	•	•	•	•	
8	Pilot Flanged	32	15	22	15	8	12	4.5	8	4.5	24	•	4.5	15	5	M4	•	•	•	•	•	
10	Flanged	38	18	26	18	8	15	5.5	9.5	5.5	30	•	5.5	18	5	M5	•	•	•	•	•	
12	Pilot Flanged	42	20	32	20	8	18	6.6	11	6.5	32	•	6.6	20	5	M6	•	•	•	•	•	
13	Flanged	48	24	38	24	8	21	7.7	13	7.5	36	•	7.7	24	5	M8	•	•	•	•	•	
15	Pilot Flanged	55	28	45	28	10	24	8.8	15	8.5	40	•	8.8	28	5	M10	•	•	•	•	•	
16	Flanged	60	32	50	32	10	27	9.9	18	9.5	45	•	9.9	32	5	M12	•	•	•	•	•	
20	Pilot Flanged	75	40	62	40	15	34	12.2	22	12	60	•	12.2	40	9	M16	•	•	•	•	•	
25	Flanged	80	45	70	45	15	38	14	24	14	60	•	14	45	9	M16	•	•	•	•	•	
30	Pilot Flanged	90	50	80	50	15	45	18	28	18	70	•	18	50	9	M16	•	•	•	•	•	

Brackets for Stands

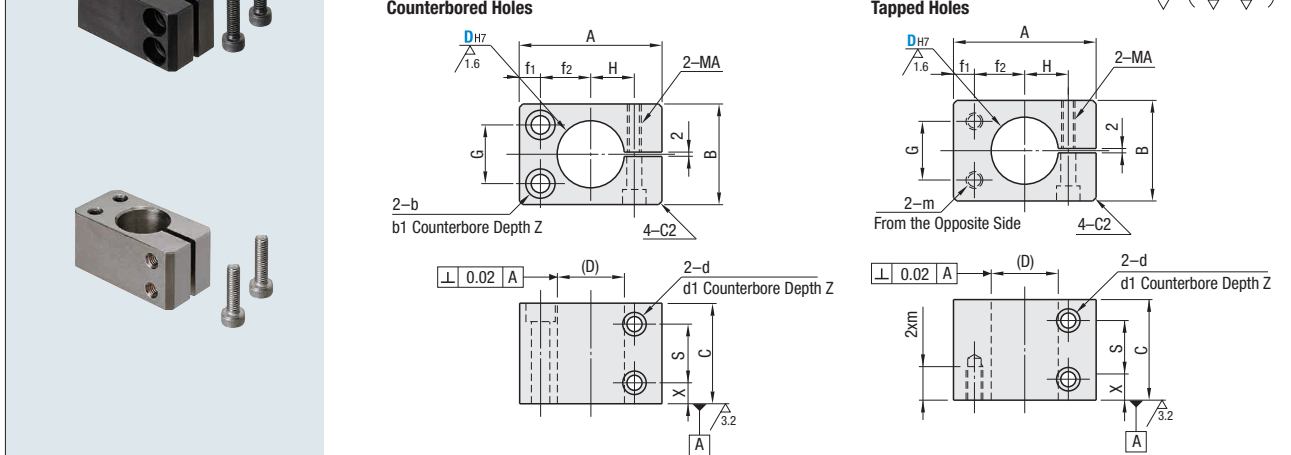
Square Compact Type

Features: Installation footprint reduced by an average 28% compared to Square Standard (right-hand page).

Brackets for Stands – Square Compact Type

Type		Material	Surface Treatment	Accessories
Counterbored Holes	Tapped Holes			
CAQB	CBQB	1018 Carbon Steel or Equivalent	Black Oxide	Hex Socket Head Cap Screws
CAQM	CBQM		Electroless Nickel Plating	Hex Socket Head Cap Screws (Stainless Steel Equivalent)

Accessories: CB screws (P.2378) are included with black oxide/black anodized products, and SCB screws (P.2379) are included with the electroless nickel plating products, respectively.



Part Number	Type	D _{H7}	A	B	C	f ₁	f ₂	G	b	b ₁	m	H	MA	X	S	d	d ₁	Z
10	Counterbored Holes	+0.015	30	20	19	6	9	11	5	8	M4	9	M4	4.75	9.5	5	8	4.6
12	Tapped Holes	+0.018	32	20	19	6	10	11	5	8	M5	10	M4	4.75	9.5	5	8	4.6
15	Counterbored Holes	0	39	28	27	7.5	14	16	7	11	M6	12	M6	7	13	7	11	6.5
20	Tapped Holes	+0.021	48	32	31	7.5	20	17	7	11	M6	15	M6	7	17	7	11	6.5
25	Counterbored Holes	0	52	32	31	7.5	20	17	7	11	M6	17	M6	7	17	7	11	6.5
30	Tapped Holes	0	63	40	39	10	22.5	20	9	14	M8	21	M8	9.5	20	9	14	9

- The tolerance and perpendicularity of D_{H7} is before slitting.
- D=30 for CBQB is not available.
- Recommended tolerances of fitting shafts: g6, f8. For Posts, refer to P.2230–2231. Use of a long wrench is recommended for fastening.

Application Example

