

# Device Stands

## Compact Slotted Hole Type

Feature: A set of a device mounting post and a stand for fine-tuning and mounting in limited spaces.

### Device Stands – Compact Slotted Hole Type

#### Set (Posts + Brackets)



#### Bracket Only



RoHS 10

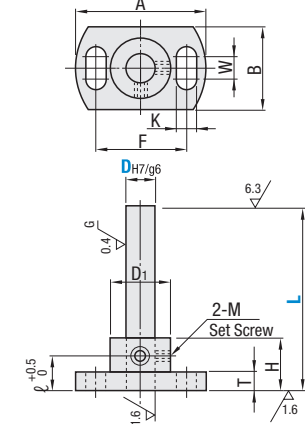
### Set (Posts + Brackets)

Type		Posts		Brackets		Accessories		
Solid	Pipe	Material	Hardness	Surface Treatment	Material	Surface Treatment	Solid	Pipe
LFSBN	LFSBA	1045 Carbon Steel or Equivalent		Electroless Nickel Plating	1045 Carbon Steel or Equivalent	Black Chrome Plating	Set Screw Washer (P.2230)	
LFSTSM	—	1045 Carbon Steel or Equivalent	Induction Hardened	Electroless Nickel Plating	1045 Carbon Steel or Equivalent	Electroless Nickel Plating		
LFSTN	LFSTA	1045 Carbon Steel or Equivalent		Electroless Nickel Plating	1045 Carbon Steel or Equivalent	Electroless Nickel Plating		
LSFSS	—	304 Stainless Steel		—	304 Stainless Steel	—		

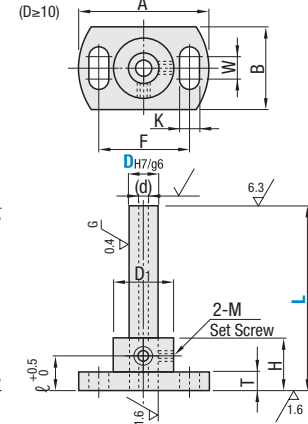
\* Case Induction Hardened (Post): 58 HRC min., Depth 1.0–1.5  
 \* For Posts for Stands only, see P.2230–2231.  
 \* No Electroless Nickel Plating and Black Oxide at ends and grooves of posts.  
 \* Surface treatment is not applied to the inside of the slotted holes.

#### Set (Posts + Brackets)

(Solid)



(Hollow)

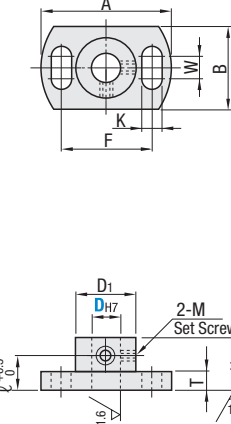


### Bracket Only

Type	Material	Surface Treatment	Accessories
LFSBF	1045 Carbon Steel or Equivalent	Low Temp. Black Chrome Plating	Set Screw
LFSTF	1045 Carbon Steel or Equivalent	Electroless Nickel Plating	

$$6.3 \sqrt{\left(\frac{6.3}{1.6} / 0.4\right)^2 \frac{G}{G}}$$

#### Bracket Only



Part Number		L	A	B	F	W	K	D <sub>1</sub>	H	T	ℓ	M	Black Chrome Plating Bracket Included Washer	Electroless Nickel Plating Brackets Included Washers	304 Stainless Steel Brackets Included Washers
Type	D <sub>96</sub>														
Set (Solid) LFSBN LFSTSM LFSTN LSFSS	6	50–150	33	18	23	6	4.5	14	20	6	12.5	M4	WSSB6-4-2	WSSM6-4-2	WSSS6-4-2
	8	50–200	38	20	26	6	4.5	16	30	8	15	M4	WSSB10-4-2	WSSM10-4-2	WSSS10-4-2
	10	50–250	40	22	28	6	4.5	18	35	8	18	M4	WSSB10-4-2	WSSM10-4-2	WSSS10-4-2
	12	50–300	46	24	32	6	5.5	20	35	8	18	M4	WSSB12-5-2	WSSM12-5-2	WSSS12-5-2
	15	75–350	56	29	40	10	6.6	25	40	8	20	M5	WSSB14-6-3	WSSM14-6-3	WSSS14-6-3
	20	75–400	63	34	46	10	6.6	30	45	10	25	M5	WSSB14-6-3	WSSM14-6-3	WSSS14-6-3
	25	75–450	78	41	56	10	9	37	50	10	30	M6	WSSB16-8-3	WSSM16-8-3	WSSS16-8-3
	30	100–450	82	46	62	10	9	42	60	10	30	M6	WSSB16-8-3	WSSM16-8-3	WSSS16-8-3

Part Number		L	A	B	F	W	K	D <sub>1</sub>	H	T	ℓ	M	Black Chrome Plating Bracket Included Washer	Electroless Nickel Plating Brackets Included Washers	304 Stainless Steel Brackets Included Washers
Type	D <sub>96</sub>														
Set (Hollow) LFSBA LFSTA	10	50–250	40	22	28	6	4.5	18	35	8	18	M4	WSSB10-4-2	WSSM10-4-2	WSSS10-4-2
	12	50–300	46	24	32	6	5.5	20	35	8	18	M4	WSSB12-5-2	WSSM12-5-2	WSSS12-5-2
	15	75–350	56	29	40	10	6.6	25	40	8	20	M5	WSSB14-6-3	WSSM14-6-3	WSSS14-6-3
	20	75–400	63	34	46	10	6.6	30	45	10	25	M5	WSSB14-6-3	WSSM14-6-3	WSSS14-6-3
	25	75–450	78	41	56	10	9	37	50	10	30	M6	WSSB16-8-3	WSSM16-8-3	WSSS16-8-3
	30	100–450	82	46	62	10	9	42	60	10	30	M6	WSSB16-8-3	WSSM16-8-3	WSSS16-8-3

# Device Stands

## Compact Slotted Hole Type, continued

Part Number		A	B	F	W	K	D <sub>1</sub>	H	T	ℓ	M	Black Chrome Plating Bracket Included Washer	Electroless Nickel Plating Bracket Included Washer	304 Stainless Steel Bracket Included Washer
Type	D <sub>96</sub>													
Bracket Only LFSBF LFSTF	6	33	18	23	6	4.5	14	20	6	12.5	M4	WSSB6-4-2	WSSM6-4-2	WSSS6-4-2
	8	38	20	26	6	4.5	16	30	8	15	M4	WSSB10-4-2	WSSM10-4-2	WSSS10-4-2
	10	40	22	28	6	4.5	18	35	8	18	M4	WSSB10-4-2	WSSM10-4-2	WSSS10-4-2
	12	46	24	32	6	5.5	20	35	8	18	M4	WSSB12-5-2	WSSM12-5-2	WSSS12-5-2
	15	56	29	40	10	6.6	25	40	8	20	M5	WSSB14-6-3	WSSM14-6-3	WSSS14-6-3
	20	63	34	46	10	6.6	30	45	10	25	M5	WSSB14-6-3	WSSM14-6-3	WSSS14-6-3
	25	78	41	56	10	9	37	50	10	30	M6	WSSB16-8-3	WSSM16-8-3	WSSS16-8-3
	30	82	46	62	10	9	42	60	10	30	M6	WSSB16-8-3	WSSM16-8-3	WSSS16-8-3

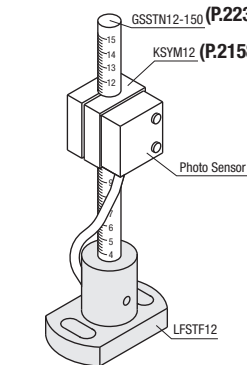
### Sets (Posts + Brackets)

D	L	Available Types			
		LFSBN LFSTN	Solid LFSTSM	LSFSS	Hollow LFSBA LFSTA
6	Min. L–100	•	•	—	—
	101–150	•	•	•	—
8	Min. L–100	•	•	•	—
	101–200	•	•	•	•
10	Min. L–150	•	•	•	•
	151–300	•	•	•	•
12	Min. L–200	•	•	•	•
	201–350	•	•	•	•
15	Min. L–200	•	•	•	•
	201–350	•	•	•	•
20	Min. L–200	•	•	•	•
	201–400	•	•	•	•
25	Min. L–200	•	•	•	•
	201–450	•	•	•	•
30	Min. L–200	•	•	•	•
	201–450	•	•	•	•

Part Number Example  
 LFSBN15 - L  
 LFSBF20 - 250

Application Example

For Sensor Mounting (with Single Bracket)



### Bracket Only

D	Available Types	
	LFSBF	LFSTF
6	—	•
8	•	—
25	•	—