

Device Stands

Compact

Feature: A set of a device mounting post and a stand for mounting in limited spaces.

Device Stands – Compact

Set (Posts + Brackets)



Bracket Only



RoHS 10

Set (Posts + Brackets)

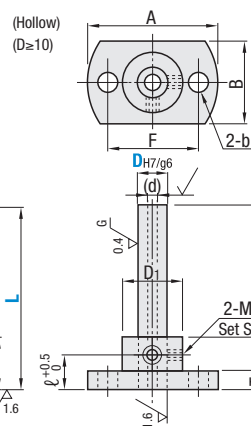
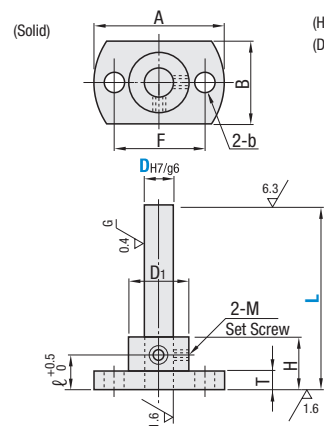
Type		Posts		Brackets		Accessories		
Solid	Pipe	Material	Hardness	Surface Treatment	Material	Surface Treatment	Solid	Pipe
FSBNM	FSBAM	1045 Carbon Steel or Equivalent	Induction Hardened	Electroless Nickel Plating	1045 Carbon Steel or Equivalent	Black Chrome Plating	Set Screw	Set Screw Cap (P.2230)
MFSBN	MFSBA	1045 Carbon Steel or Equivalent		Black Oxide				
KFSBN	KFSBA	1045 Carbon Steel or Equivalent		Black Oxide				
MSFSBN	MFSBB	304 Stainless Steel		—				
FSTNM	FSTAM	1045 Carbon Steel or Equivalent	Induction Hardened	Electroless Nickel Plating	1045 Carbon Steel or Equivalent	Electroless Nickel Plating		
MFSTN	MFSTA	1045 Carbon Steel or Equivalent		Black Oxide				
MSFSTN	MSFTB	304 Stainless Steel		—				
KBFSBN	KBFSBA	1045 Carbon Steel or Equivalent		Black Oxide	1045 Carbon Steel or Equivalent	Black Oxide		
MSFSS	MFSSS	304 Stainless Steel		—	304 Stainless Steel	—		

* Case Induction Hardened (Post): 58 HRC min., Depth 1.0–1.5
 * For Posts for Stands only, see P.2230–2231.
 * No Electroless Nickel Plating and Black Oxide at ends and grooves of posts.

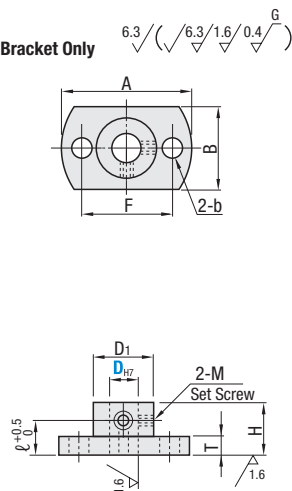
Bracket Only

Type	Material	Surface Treatment	Accessories
MFSBF	1045 Carbon Steel or Equivalent	Low Temp. Black Chrome Plating	Set Screw
MFSTF		Electroless Nickel Plating	
MFSLF		Black Oxide	
MFSS	304 Stainless Steel	—	

Set (Posts + Brackets)



Bracket Only



Part Number		L 1 mm Inc.	A	B	F	D ₁	H	T	ℓ	b	M	(d)	
Type	D ₉₆												
Set (Hollow)	10	-0.005 -0.014	50–250	40	22	28	18	35	8	18	4.5	M4	6.0
FSBAM	12	-0.006 -0.017	50–300	46	24	32	20	35	8	18	5.5	M4	6.0
MFSBA													
KFSBA	15	-0.006 -0.017	75–350	56	29	40	25	40	8	20	6.6	M5	10.0
MFSBB													
FSTAM	20	-0.006 -0.017	75–400	63	34	46	30	45	10	25	6.6	M5	11.7
MFSTA													
MFSTB	25	-0.006 -0.017	75–450	78	41	56	37	50	10	30	9	M6	15.2
KBFSBA													
MFSSS	30	-0.007 -0.020	100–450	82	46	62	42	60	10	30	9	M6	16.0

Hollow Tube is available from D10.

Part Number		L 1 mm Inc.	A	B	F	D ₁	H	T	ℓ	b	M	
Type	D ₉₆											
Set (Solid)	6	-0.004 -0.012	50–150	33	18	23	14	20	6	12.5	4.5	M4
FSBNM	8	-0.005 -0.014	50–200	38	20	26	16	30	8	15	4.5	M4
MFSBN												
KFSBN	10	-0.005 -0.014	50–250	40	22	28	18	35	8	18	4.5	M4
MSFSBN												
MFSTN	12	-0.006 -0.017	50–300	46	24	32	20	35	8	18	5.5	M4
MSFSTN												
MFSTN	15	-0.006 -0.017	75–350	56	29	40	25	40	8	20	6.6	M5
MSFSTN												
MFSTN	20	-0.006 -0.017	75–400	63	34	46	30	45	10	25	6.6	M5
MSFSTN												
MFSTN	25	-0.007 -0.020	75–450	78	41	56	37	50	10	30	9	M6
MSFSTN												
MFSTN	30	-0.007 -0.020	100–450	82	46	62	42	60	10	30	9	M6

*D6 is available for FSTNM, MFSBN, MFSTN and MSFSTN only.

Device Stands

Compact, continued

Sets (Posts + Brackets)

D	L	Available Types											
		Solid						Hollow					
		FSBNM ² FSTNM	MFSBN MFSTN	KFSBN	MSFSBN ² MSFSTN	KBFSBN	MSFSS	FSBAM FSTAM	MFSBA MFSTA	KFSBA	MFSBB MFSTB	KBFSBA	MFSSS
6	Min. L–100	•	•	—	•	—	—	—	—	—	—	—	—
	101–150	•	•	—	•	—	—	—	—	—	—	—	—
8	Min. L–100	•	•	•	•	•	•	•	•	•	•	•	•
	101–200	•	•	•	•	•	•	•	•	•	•	•	•
10	Min. L–150	•	•	•	•	•	•	•	•	•	•	•	•
	151–250	•	•	•	•	•	•	•	•	•	•	•	•
12	Min. L–150	•	•	•	•	•	•	•	•	•	•	•	•
	151–300	•	•	•	•	•	•	•	•	•	•	•	•
15	Min. L–200	•	•	•	•	•	•	•	•	•	•	•	•
	201–350	•	•	•	•	•	•	•	•	•	•	•	•
20	Min. L–200	•	•	•	•	•	•	•	•	•	•	•	•
	201–400	•	•	•	•	•	•	•	•	•	•	•	•
25	Min. L–200	•	•	•	•	•	•	•	•	•	•	•	•
	201–450	•	•	•	•	•	•	•	•	•	•	•	•
30	Min. L–200	•	•	•	•	•	•	•	•	•	•	•	•
	201–450	•	•	•	•	•	•	•	•	•	•	•	•

²D=6 is not available for FSBNM and MSFSBN.

Part Number		A	B	F	D ₁	H	T	ℓ	b	M	
Type	D ₉₆										
Bracket Only	*6	-0.004 -0.012	33	18	23	14	20	6	12.5	4.5	M4
	8	-0.005 -0.014	38	20	26	16	30	8	15	4.5	M4
	10	-0.005 -0.014	40	22	28	18	35	8	18	4.5	M4
	MFSBF	-0.006	46	24	32	20	35	8	18	5.5	M4
	MFSTF	-0.017	56	29	40	25	40	8	20	6.6	M5
	MFSLF	-0.017	56	29	40	25	40	8	20	6.6	M5
MFSS	-0.007 -0.020	78	41	56	37	50	10	30	9	M6	
30	-0.007 -0.020	82	46	62	42	60	10	30	9	M6	

*D6 is available for MFSBF, MFSTF only.

Part Number Example: **MFSTN15 - 250**
MFSSB20

Bracket Only

D	Available Types			
	MFSBF	MFSTF	MFSLF	MFSS
6	•	•	—	—