


# Posts for Stands / Caps for Pipes

Feature: Can be used in combination with Device Stands, Stand-Up Brackets and Post Clamp.

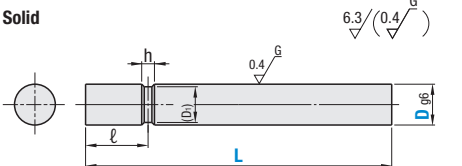


RoHS 10

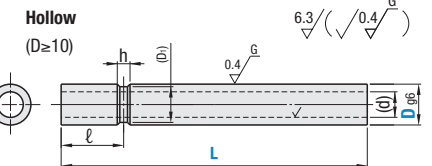
Type		Material Hardness	Surface Treatment
Solid	Pipe		
STN	STA	1045 Carbon Steel or Equivalent 58 HRC min.	—
STNM	STAM	Case Induction Hardened (Depth 1.0-1.5)	Electroless Nickel Plating
MSTNM	MSTAM	1045 Carbon Steel or Equivalent	Black Oxide
GSTNM	GSTAM		
STNUG	SMSTAM	304 Stainless Steel	—

ⓘ Surface treatment is not applied to ends and grooves of STAM, MSTAM, GSTAM, STNM, MNSTNM.

**Solid**



**Hollow (D≥10)**



Part Number	Type	D <sub>95</sub>	L 1 mm Increment	(D <sub>1</sub> )	ℓ	h	(d)	Available Types												
								Solid					Hollow							
								STN	STNM	MSTNM	GSTNM	STNUG	STA	STAM	MSTAM	GSTAM	SMSTAM			
Solid STN STNM MSTNM GSTNM STNUG	Hollow STA STAM MSTAM GSTAM SMSTAM	6	-0.004 -0.012	30-150	4.5	12	—	•	•	•	•	•	•	•	•	•	•	•	•	
		8	-0.005 -0.014	30-200	6.5	15	4	•	•	•	•	•	•	•	•	•	•	•	•	•
		10	-0.006 -0.017	35-250	8.5	18	6.0	•	•	•	•	•	•	•	•	•	•	•	•	•
		12	-0.006 -0.017	35-300	10	20	10.0	•	•	•	•	•	•	•	•	•	•	•	•	•
		15	-0.007 -0.020	40-350	13	25	11.7	•	•	•	•	•	•	•	•	•	•	•	•	•
		20	-0.007 -0.020	45-400	17	30	15.2	•	•	•	•	•	•	•	•	•	•	•	•	•
		25	-0.009 -0.025	50-450	22	35	16.0	•	•	•	•	•	•	•	•	•	•	•	•	•
		30	-0.009 -0.025	60-450	27	40	20.1	•	•	•	•	•	•	•	•	•	•	•	•	•
		35	-0.009 -0.025	70-500	32	45	22.7	•	•	•	•	•	•	•	•	•	•	•	•	•
		40	-0.009 -0.025	80-500	37	50	30.8	•	•	•	•	•	•	•	•	•	•	•	•	•
50	-0.009 -0.025	100-600	46	60	30.8	•	•	•	•	•	•	•	•	•	•	•	•	•		

ⓘ N, GSTNM is applicable from D8.  
 ⓘ Hollow Posts are available from D10. STN is applicable from D8.

Part Number Example: **STNUG12 - 250**


Part Number Alterations: **STN8 - 100 - MN**

Alteration	Code	Spec.
No Groove	MN	Alteration to No Groove for Set Screw. Ordering Code: MN
One End Tapped	MTC	Tapped at one end. Ordering Code: MTC8

D <sub>95</sub>	M (Coarse)
8	3
10	3 4
12	4 5
15	4 5 6
20	5 6 8
25	6 8 10
30	8 10 12
35	10 12 16
40	10 12 16
50	10 12 16

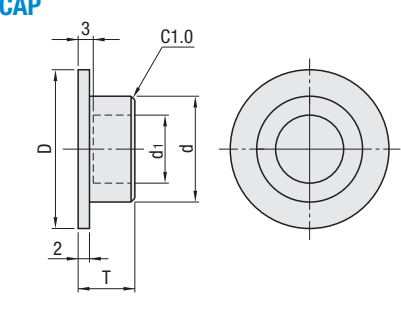
ⓘ Applicable to Solid Type only.  
 ⓘ Not applicable to D=6.

Features: Caps can be mounted on the end face of Pipe Posts on P.2230-2244



RoHS 10

**CAP**



Material: Natural Rubber (NR70)


Part Number	Type	No.	D	d	d <sub>1</sub>	T
CAP	10	9	6.2	3	8	10
	12	11	10.2	6		
	15	14	12.0	9		
	20	18	16.5	13		
	25	23	20.5	15		
	30	28	23.0	16	10	16
	35	33	31.3	16		
	40	48	31.3	16		
	50	48	31.3	16		
	50	48	31.3	16		

Part Number Example: **CAP25**

# Posts for Stands

With Scale / Configurable Length with Scale

Feature: Easy to adjust positions of cameras and sensors during setup changes. Hollow Type is capable of storing wiring.

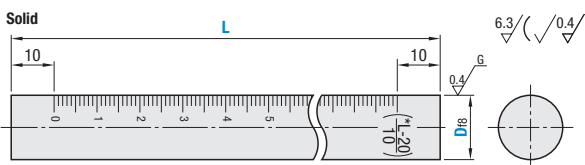


RoHS 10

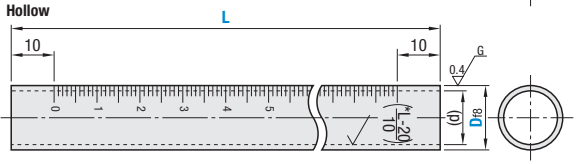
Type		Material
Solid	Pipe	
GSSTN	GSSTA	304 Stainless Steel

ⓘ If wiped with volatile oil, the prints may fade.  
 ⓘ The scale graduations are represented in centimeters.  
 ⓘ Use the scale as a reference.  
 \* Scale indicates up to (L-20)/10.

**Solid**

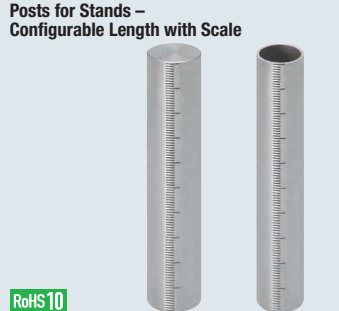


**Hollow**



Part Number	Type	D <sub>95</sub>	L					Compliance with Standard					
			100	150	200	250	300	L100	L150	L200	L250	L300	
GSSTN GSSTA	10	-0.013 -0.035	100	150	200	250	300	•	•	•	•	•	•
	12	-0.016 -0.043	100	150	200	250	300	•	•	•	•	•	•
	15	-0.020 -0.053	100	150	200	250	300	•	•	•	•	•	•
	20	-0.020 -0.053	100	150	200	250	300	•	•	•	•	•	•
	25	-0.020 -0.053	200	250	300	—	—	•	•	•	•	•	•

Part Number Example: **GSSTN15 - 200**  
**GSSTA20 - 300**

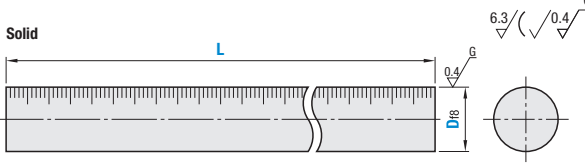


RoHS 10

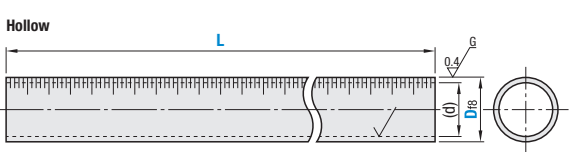
Type		Material
Solid	Pipe	
FGSTN	FGSTA	304 Stainless Steel

ⓘ If wiped with volatile oil, the prints may fade.  
 ⓘ The scale graduations are represented in centimeters.  
 ⓘ Use the scale as an indicator.

**Solid**



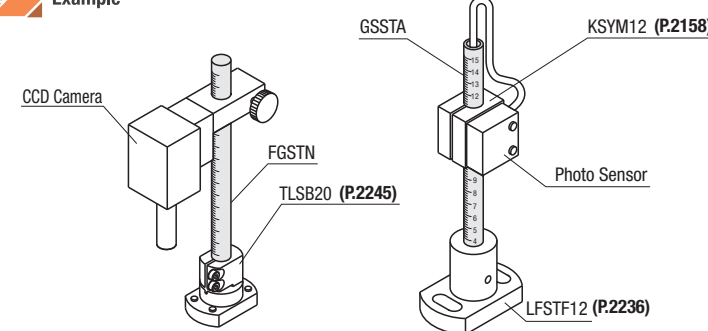
**Hollow**



Part Number	Type	D <sub>95</sub>	L 1mm Increment	(d)
12	-0.016 -0.043	35-450	10	
15	-0.020 -0.053	40-450	12.6	
20	-0.020 -0.053	45-450	16	
25	-0.020 -0.053	50-450	20	

Part Number Example: **FGSTN10 - 100**  
**FGSTA20 - 200**

Application Example



Labels: CCD Camera, FGSTN, TLSB20 (P.2245), GSSTA, KSYM12 (P.2158), Photo Sensor, LFSTF12 (P.2236)