


# [High Precision] Rotary Stages

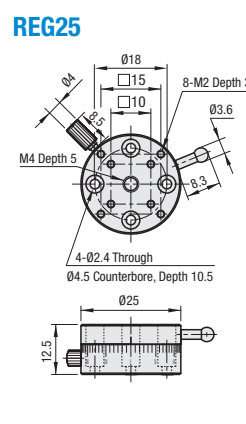
Coarse Feed / Feed Screw

**Rotary Stages – Coarse Feed**

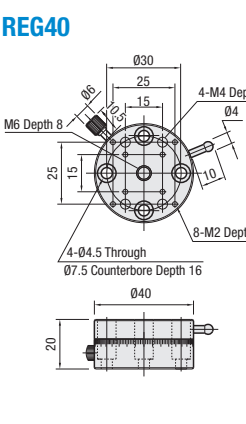


RoHS10

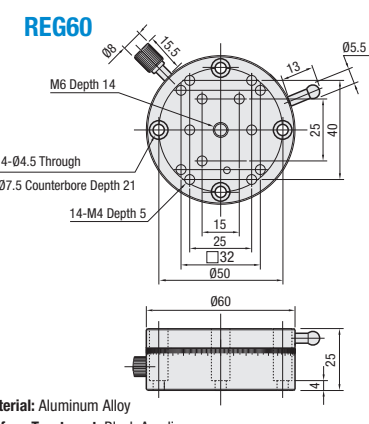
**REG25**



**REG40**



**REG60**



**Material:** Aluminum Alloy  
**Surface Treatment:** Black Anodize


Part Number Type	No.	Stage Surface (mm)	Rotation	Resolution	Load Capacity (N)		Eccentricity (mm)	Weight (kg)	Accessories (4 pcs.) Type M-L	
					Horizontal	Vertical				
REG	25	Ø25	Coarse 360°	5°	29.4	9.8	0.05	0.02	SCB2-5	
	40	Ø40		2°	49.0	16.3			0.06	SCB4-8
	60	Ø60		1°	68.6	22.8			0.20	SCB4-8

- ⊗ REG25 can not be combined with other stages.
- ⊕ Can be combined with XWG (P.2021) / XYWG (P.2046) / ZWG (P.2060) / XLWG (P.2025) / ZLWG (P.2062) / Dovetail Slide Stage (P.2028-2030) combinable. (REG60 needs XPLT60 (P.2022))

**Part Number Example**

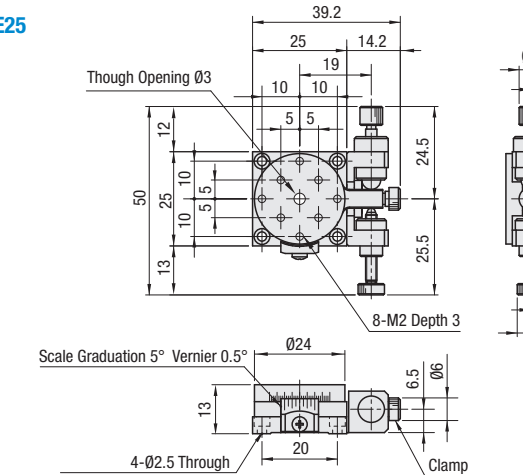
Part Number: **REG40**

**Rotary Stages – Feed Screw**



RoHS10

**RPGE25**



**Material:** Aluminum Alloy  
**Surface Treatment:** Black Anodize

Part Number Type	No.	Stage Surface (mm)	Travel Distance	Resolution Vernier	Load Capacity (N) Horizontal	Eccentricity (mm)	Weight (kg)	Accessories (4 pcs.) Type M-L

**Part Number Example**

Part Number: **RPGE25**

**Part Number Alterations**


Part Number - (NR): **RPGE25 - NR**

Alteration	Feed Knob Position Change
Spec.	Side Mount — Left/Right Reversed
Code	<b>NR</b>

# [High Precision] Rotary Stages

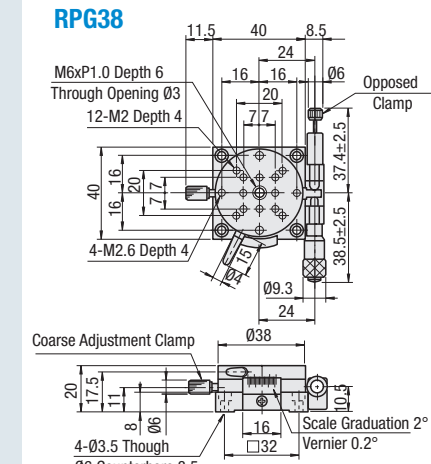
Micrometer Head

**Rotary Stages – Micrometer Heads**

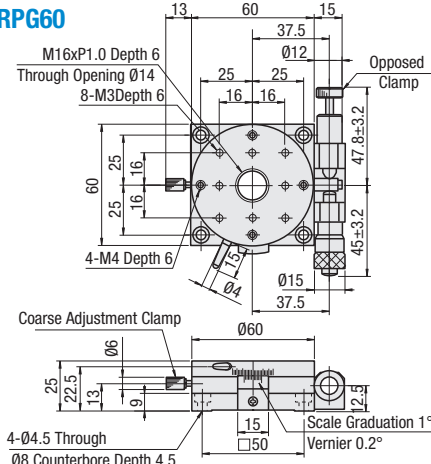


RoHS10

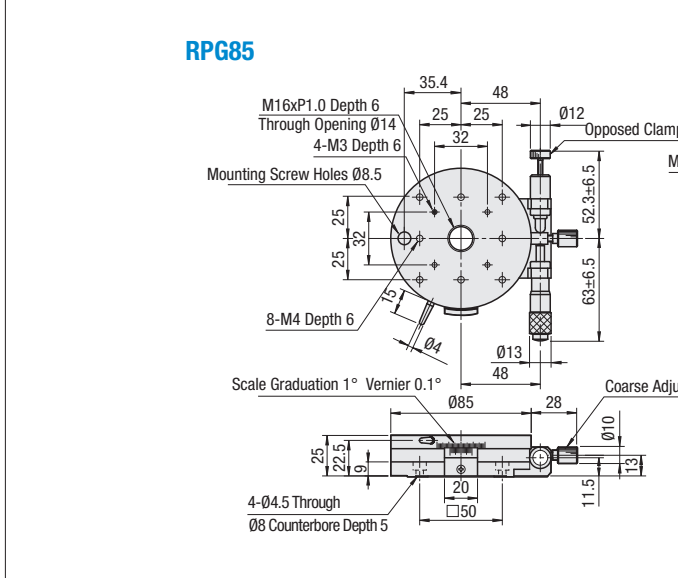
**RPG38**



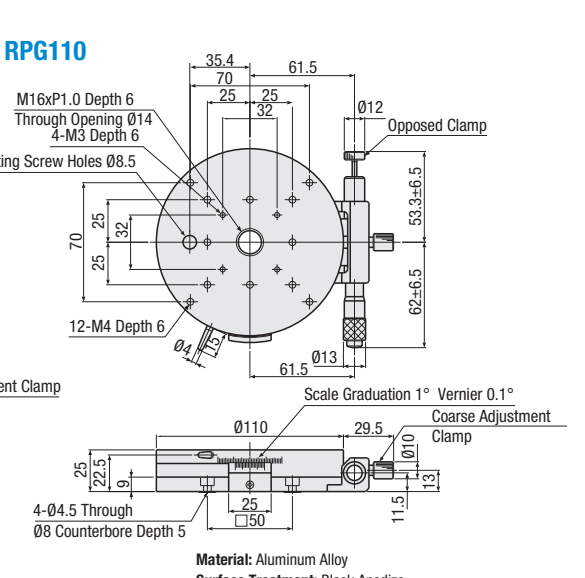
**RPG60**



**RPG85**



**RPG110**



**Material:** Aluminum Alloy  
**Surface Treatment:** Black Anodize

Part Number Type	No.	Stage Surface (mm)	Rotation	Resolution		Load Capacity (N) Horizontal	Allowable Moment Load (N • m)	Moment Stiffness ( / N • cm)	Eccentricity (mm)	Weight (kg)	Accessories (4 pcs.) Type M-L
				Vernier	Micrometer						
RPG	38	Ø38	Coarse 360° Fine Feed ±5°	0.2°	≈ 1'26" / Scale Graduation	9.8	0.3	3.56	0.05	0.09	SCB3-8
	60	Ø60			≈ 55" / Scale Graduation	29.4	0.7	0.41		0.28	SCB4-10
	85	Ø85			≈ 43" / Scale Graduation	39.2	1.2	0.22		0.48	SCB4-8
	110	Ø110			≈ 34" / Scale Graduation	49.0	1.5	0.17		0.75	SCB4-8

- ⊕ Knob Cover HDCVR13 (Sold Separately): increases diameter of Ø 13 mm knob. P.2035
- ⊕ Extension Cover HDEX113 (Sold Separately): extends Ø 13 mm head or feed screw knobs. P.2035
- ⊕ Coarse Clamps and Opposed Clamps are available for sale as special order items. Contact our customer service.

**Part Number Example**

Part Number: **RPG38**

**Part Number Alterations**

Part Number - (NR): **RPG60 - NR**

Alteration	Micrometer Head Position Change
Spec.	Side Mount — Left/Right Reversed
Code	<b>NR</b>

- ⊕ Mounting dimensions of micrometer head and clamp are different from those of standard products.