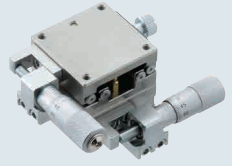


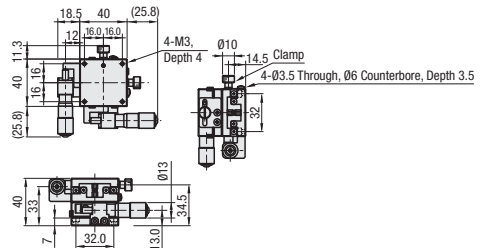
[Standard] Linear Ball Slide

Micrometer Head, *continued*

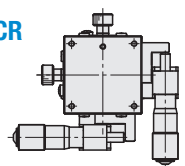
Other Information about Stages
 Stage Selection Table P.2005
 New Products P.2043-2044
 About Standard Stages P.2009
 Overview, Technical Information P.2008



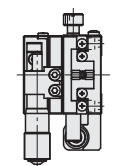
XYLBS40
(Standard)



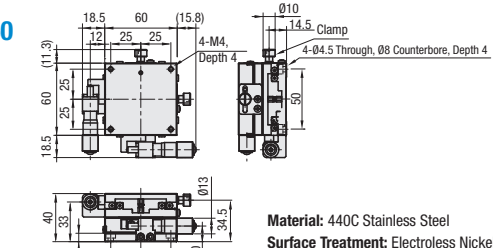
4-M3, Depth 4
 4-Ø3.5 Through, Ø6 Counterbore, Depth 3.5
 14.5 Clamp



XYLBS-CR
(Reversed)



XYLBS60
(Standard)




4-M4, Depth 4
 4-Ø4.5 Through, Ø8 Counterbore, Depth 4
 14.5 Clamp

Material: 440C Stainless Steel
Surface Treatment: Electroless Nickel Plating

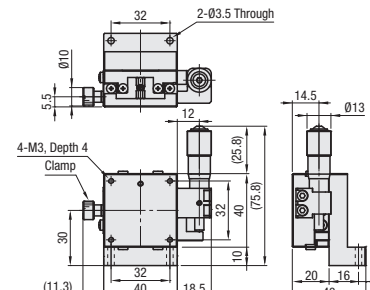
High Precision Stage Existing Product: XYSG (P.2052)

Part Number		Stage Surface (mm)	Travel Distance (mm)	Load Capacity (N)	Minimum Graduation (µm)	Travel Accuracy			Moment Rigidity ("N-cm)			Parallelism (µm)	Weight (kg)	Included Screw (Stainless Steel Hex Socket Low Head Cap Screw)
Type	Micrometer Head Position					Straightness	Pitching	Yawing	Pitching	Yawing	Rolling			
XYLBS40	Not Specified (Standard)	40x40	±6.5	95.6	10	3µm	30"	25"	0.59	0.7	0.59	60	0.48	M3-8, 4 pcs.
XYLBS60	CR (Reversed)	60x60	±6.5	191.6	10	3µm	35"	30"	0.15	0.16	0.15	60	0.88	M4-8, 4 pcs.

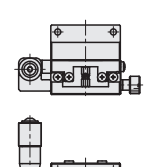
Part Number Example
 Part Number
 XYLBS40



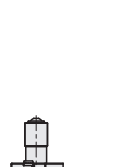
ZLBS40
(Standard)



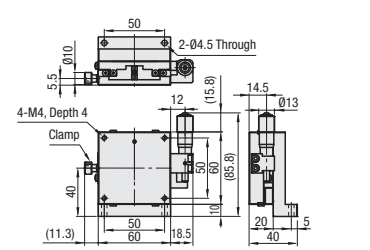
2-Ø3.5 Through
 4-M3, Depth 4
 Clamp
 14.5 Clamp



ZLBS-CR
(Reversed)



ZLBS60
(Standard)



2-Ø4.5 Through
 4-M4, Depth 4
 Clamp
 14.5 Clamp

Material: (Main Body) 440C Stainless Steel, (Bracket) Steel (1018 Carbon Steel or Equivalent)
Surface Treatment: (Main Body) Electroless Nickel Plating, (Bracket) Electroless Nickel Plating

High Precision Stage Existing Product: ZSG (P.2067)

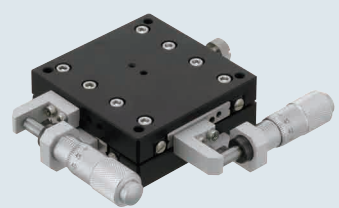
Part Number		Stage Surface (mm)	Travel Distance (mm)	Load Capacity (N)	Minimum Graduation (µm)	Travel Accuracy			Moment Rigidity ("N-cm)			Weight (kg)	Included Screw (Stainless Steel Hex Socket Low Head Cap Screw)
Type	Micrometer Head Position					Straightness	Pitching	Yawing	Pitching	Yawing	Rolling		
ZLBS40	Not Specified (Standard)	40x40	±6.5	19.6	10	3µm	30"	25"	0.38	0.35	0.21	0.43	M3-16, 2 pcs.
ZLBS60	CR (Reversed)	60x60	±6.5	191.6	10	3µm	35"	30"	0.1	0.08	0.05	0.83	M4-16, 2 pcs.

Part Number Example
 Part Number
 ZLBS40

[Standard] Cross Roller, Low Profile

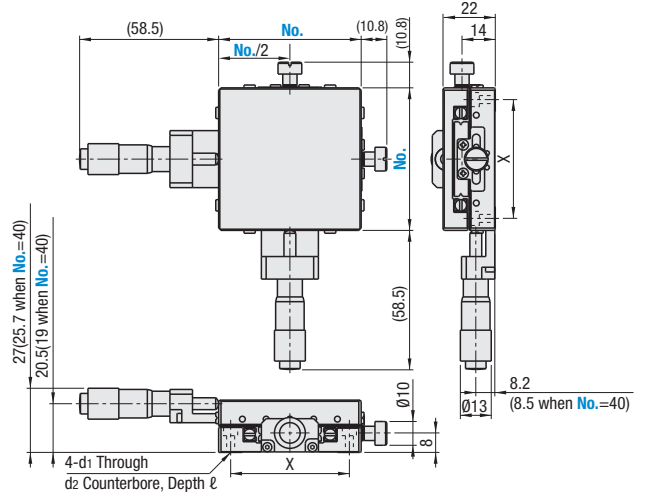
Other Information about Stages
 Stage Selection Table P.2005
 New Products P.2043-2044
 About Standard Stages P.2009
 Overview, Technical Information P.2008

Feature: Economical stage with a micrometer head capable of 0.01mm resolution adjustments. Micrometer head position is selectable from 3 types.

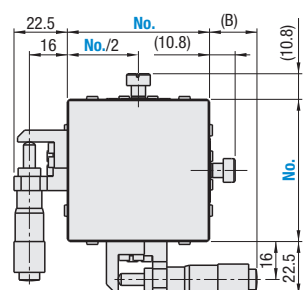


XY-Axis, Low Profile

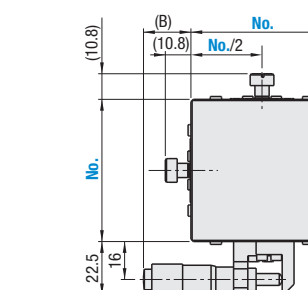
XYCRSC__-A (Micrometer Head Center Drive)



27(25.7 when No.=40)
 20.5(19 when No.=40)
 4-d1 Through
 dz Counterbore, Depth ℓ



XYCRSC__-C (Micrometer Head Side Drive - Standard)



XYCRSC__-CR (Micrometer Head Side Drive - Reversed)

Mounting Hole Dimensions of the Top Table

No.40
 8-M3, Depth 5

No.60
 4-M4, Depth 6

No.80
 4-M4, Depth 6

Material: Aluminum Alloy
Surface Treatment: Black Anodize

See the CAD data for the details.

XY-Axis Stages

High Precision Stage Existing Product: XYSYG (P.2057)

Part Number		Stage Surface (mm)	Travel Distance (mm)	Top View		Side View			Load Capacity (N)	Travel Accuracy Straightness	Weight (kg)							
Type	No. Micrometer Head Position			(B)	X	d ₁	d ₂	ℓ										
XYCRSC	40	±6.5	32	36	70	4.5	8	4.5	29.4	30µm	0.4							
	60											20	50	4.5	8	4.5	39.2	0.7
	80											11	70	4.5	8	4.5	39.2	0.7

Part Number Example
 Part Number
 XYCRSC60-A
 XYCRSC80-C