


[Standard] Rotary Stages (Square)

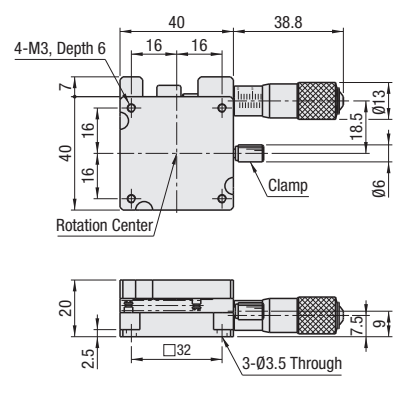
Micrometer Head

Other Information about Stages
 Stage Selection Table P.2005
 New Products P.2043-2044
 About Standard Stages P.2009
 Overview, Technical Information P.2008


Feature: Best suited for fine angle adjustments.



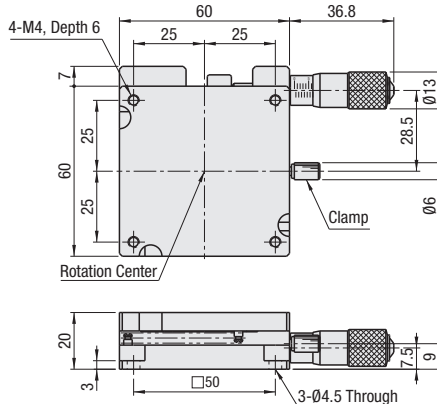
RTSS40



Material: Aluminum Alloy
Surface Treatment: Black Anodize



RTSS60

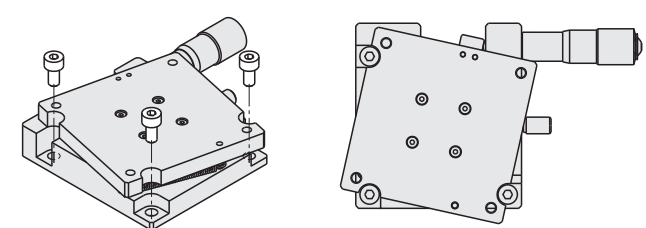


Accessories: Stainless Steel Hex Socket Low Head Cap Screws RTSS40 (M3-6, 3 pcs.), RTSS60 (M4-8, 3 pcs.)

Part Number		Stage Surface (mm)	Rotation (°)	Load Capacity (N)	Resolution (°/Scale)	Parallelism (μm)	Weight (kg)
Type	No.						
RTSS	40	40x40	±10	9.8	≈1'51"	50	0.14
	60	60x60		29.4	≈1'12"		0.26

Part Number Example: RTSS40


How to Mount Rotary Stages
 Move the carriage to gain access to the mounting holes. (mounted at 3 locations)
 See illustrations below.



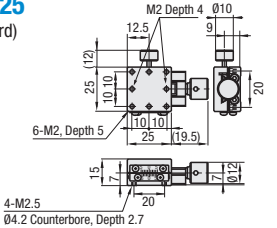
[Standard] Dovetail Slide, Feed Screw

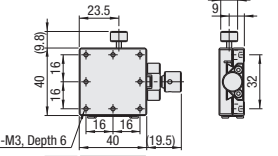
Other Information about Stages
 Stage Selection Table P.2005
 New Products P.2043-2044
 About Standard Stages P.2009
 Overview, Technical Information P.2008

Feature: Stages with 0.5mm fine lead. Existing Products: XEG, XYEG (P.2033, 2055)

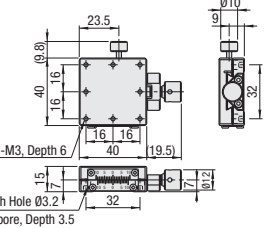


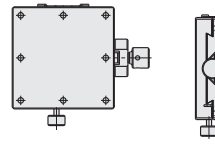
XFES25
(Standard)



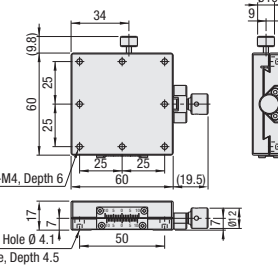


XFES40
(Standard)





XFES60
(Standard)




Material: Aluminum Alloy
Surface Treatment: Black Anodize

X-Axis Stages

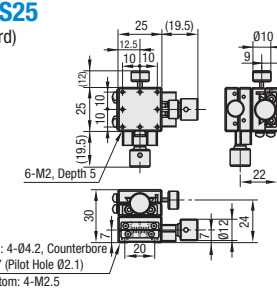
Type	Part No.	Clamp Position	Stage Surface (mm)	Travel Distance (mm)	Travel per Knob Rotation (mm)	Load Capacity (N)		Travel Accuracy Straightness	Weight (kg)
						Horizontal	Vertical		
XFES	25	Not Specified (Standard)	25x25	±5	0.5	29.4	9.8	50μm	0.04
	40	R (Reversed)	40x40	±7		39.2	19.6		0.08
	60	R (Reversed)	60x60	±8					0.18

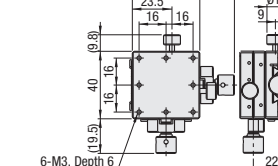
Resolution (Vernier Scale Indication): 0.1mm/division
 Knob Extension Cover HDEXT12- (Sold Separately):
 Ø12 knobs can be extended by installing the cover. P.2035
 (Caution) Please note that increased knob diameter may interfere with the stage mounting base surfaces.

Part Number Example: XFES40

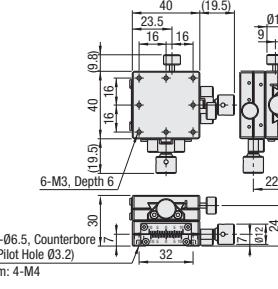


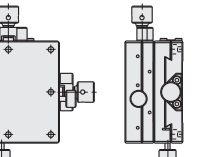
XYFES25
(Standard)



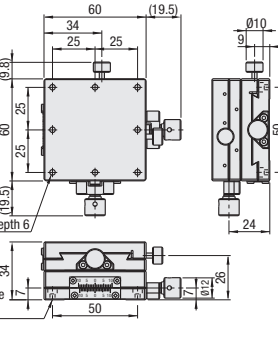


XYFES40
(Standard)





XYFES60
(Standard)



Material: Aluminum Alloy
Surface Treatment: Black Anodize

XY-Axis Stages

Type	Part No.	Clamp Position	Stage Surface (mm)	Travel Distance (mm)	Travel per Knob Rotation (mm)	Load Capacity (N)	Travel Accuracy Straightness	Weight (kg)
40	R (Reversed)	40x40	±7	33.3	0.16			
60	R (Reversed)	60x60	±8		0.36			

Resolution (Vernier Scale Indication): 0.1mm/division
 Knob Extension Cover HDEXT12- (Sold Separately):
 Ø12 knobs can be extended by installing the cover. P.2035
 (Caution) Please note that increased knob diameter may interfere with the stage mounting base surfaces.

Part Number Example: XYFES40