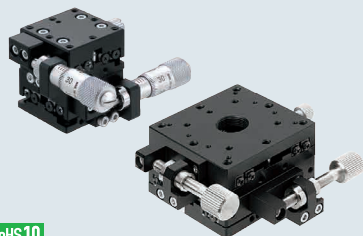


[High Precision] Cross Roller Stages

XY-Axis / with Dowel Holes

Travel per Rotation	Small	Medium	Large
Stroke	Short	Medium	Long
Load Capacity	Light	Medium	Heavy

XY-Axis

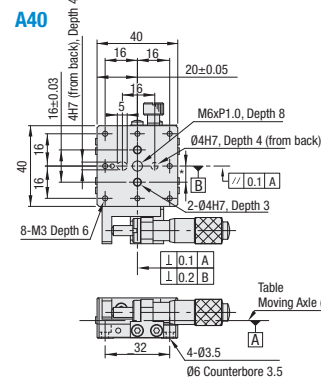


RoHS 10

For Standard Cross Roller Stage table top mounting dimensions, see P.2041.

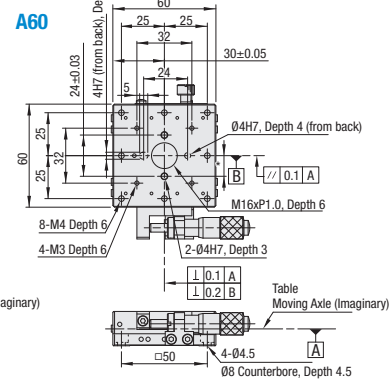
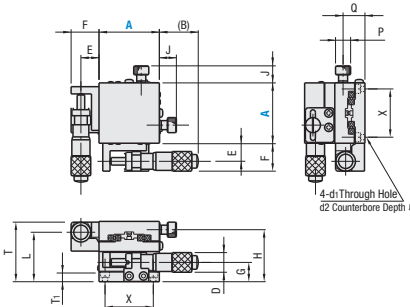
Mounting Hole Dimensions on the top/bottom of the table of XY-Axis Stages with Dowel Holes

- H7 hole and H7 long hole on bottom surface, and 2 H7 holes on upper surface.
- Theoretical dimension tolerance of dowel holes on upper and bottom surfaces is ± 0.165 .



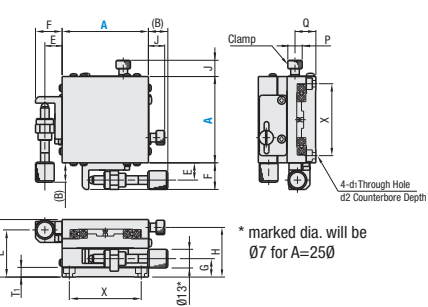
Micrometer Heads

XYPG (25≤A≤120)
XYPGN (A=40, 60) (with Dowel Hole)

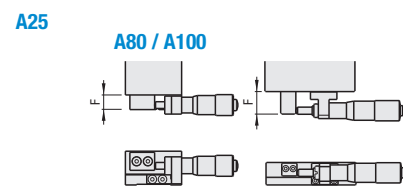


Feed Screw (Pitch 0.5)

XYPCG (25≤A≤80)



- For A25, 80, and 100, the feed brackets have a different shape.



- Refer to data on CAD for dimension details.

Materials: Aluminum Alloy
Surface Treatment: Black Anodize

For a comparison chart with economical standard Stages, see P.2009.

Micrometer Head (XYPG, XYPGN) / Feed Screw (XYPCG)

Part Number	Type	Top View		Front View										Side View						
		A	Standard Micrometer (B) Travel Distance (mm)	Feed Screws (B) Travel Distance (mm)	E	F	J	D	G	H	T ₁	L	T	P	Q	X	d ₁	d ₂	ℓ	
XYPG 25	25	25	±3.2	11	±3.2	4.5	6.5	6.8	9.3	8.5	23.5	4.5	23.5	30	6	10.5	20	2.5	4.2	2
XYPCG 40	40	25.8	±6.5	22.3	±6.5	12	18.5	11.5	13	12.8	34.5	6.5	32.8	40	10	14.5	32	3.5	6	3.5
XYPCG 60	60	19.8	±6.5	16.3	±6.5	12	18.5	11.5	13	12.8	34.5	6.5	32.8	40	10	14.5	50	4.5	8	4
XYPCGN 80	80	43.5	±12.5	10	—	17	22*	11.5	18	10.8	34.5	5.7	30.8	40	10	14.5	70	4.5	8	4.5
Hole Type for 40 and 60 only	*100	28.5	—	—	—	17	22	11.5	18	10.8	34.5	5.7	30.8	40	10	14.5	90	4.5	8	4.5
	*120	67.5	±25	—	—	13	20	11.5	21	18	48.0	9.5	48	60	10	18	100	4.5	8	4.5

* A100 and 120 are not available for Feed Screw Type (XYPCG). * When A=80 for the Feed Screw Type (XYPCG), F=20.

Performance

A	Stage Surface (mm)	Load Capacity (N)	Travel Accuracy				Moment Capacity (N·m)			Moment Rigidity (N/°·cm)			Parallelism	Weight (kg)	Accessories (4 pcs.)
			Straightness	Parallelism	Pitching	Yawing	Pitching	Yawing	Rolling	Pitching	Yawing	Rolling			
25	25 x 25	9.8	3 μm	20 μm	30"	20"	0.4	0.8	0.4	4.83	5.70	4.83	60 μm	0.08	SCB2-6
40	40 x 40	17.6					2.0	2.2	2.0	0.66	0.84	0.66		0.30	SCB3-6
60	60 x 60	44.1					5.2	4.3	5.2	0.19	0.22	0.19		0.52	SCB4-6
80	80 x 80	93.1					17.3	15.1	17.3	0.09	0.10	0.09		1.00	SCB4-6
100	100 x 100	140.1					33.0	30.0	33.0	0.11	0.14	0.11		1.40	SCB4-6
120	120 x 120	180.3	57.2	44.7	57.2	0.04	0.04	0.04	3.20	SCB4-10					

XYPG and XYPCGN: Micrometer Head Resolution 10 μm/division

Part Number Alterations	Part Number - (CR, A, etc.)
	XYPG60 - A

Part Number Example	Part Number
	XYPG80

Alterations	Position of Micrometer and Feed Screw	Reinforced Clamp		No Micrometer Head						
		Disc Clamp	Opposed Clamp							
Spec.	Side Mount - Left/Right Reversed, Center	<table border="1"> <tr> <th>A</th> <th>B₁</th> </tr> <tr> <td>40</td> <td>22.5</td> </tr> <tr> <td>60</td> <td>11.0</td> </tr> </table>	A	B ₁	40	22.5	60	11.0		
A	B ₁									
40	22.5									
60	11.0									
Code	CR, A	H	P	MN						

- Mounting dimensions of Micrometer Head, Feed Screw and Clamp are different from those of standard products.
- For Micrometer Head or Feed Screw mounted in positions other than shown, see "Specification Selectable Type" on P.2084.
- Knob cover HDCVR13 (sold separately): Increases knob diameter by putting on Ø13 feed handles. P.2035
- Extension cover HDEXT13 (Sold separately): Feed Screw Ø13 handle can be extended. P.2035

[High Precision] Cross Roller Stages

XY-Axis Low Profile / Through Hole

Travel per Rotation	Small	Medium	Large
Stroke	Short	Medium	Long
Load Capacity	Light	Medium	Heavy

XY-Axis Low Profile-Cross Roller

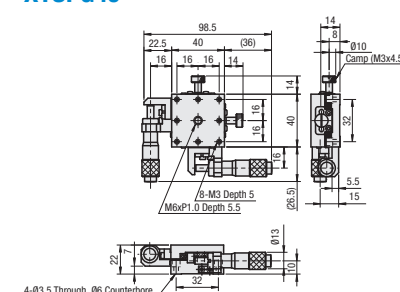


RoHS 10

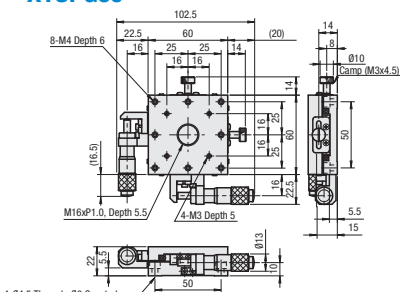
Material: Aluminum Alloy
Surface Treatment: Black Anodize

Accessories:	40	SCB3-10	4 pcs.
	60	SCB4-10	
	80		
	100		

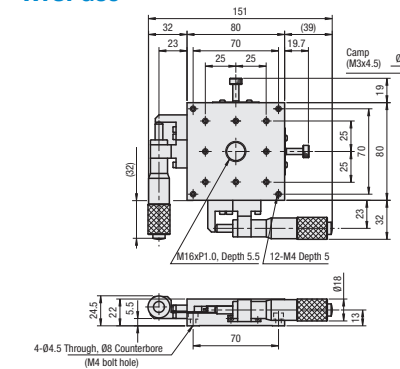
XYSPG40



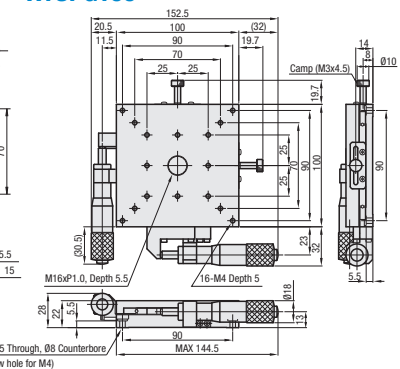
XYSPG60



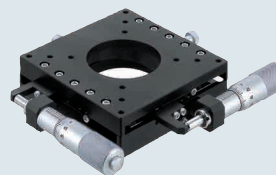
XYSPG80



XYSPG100



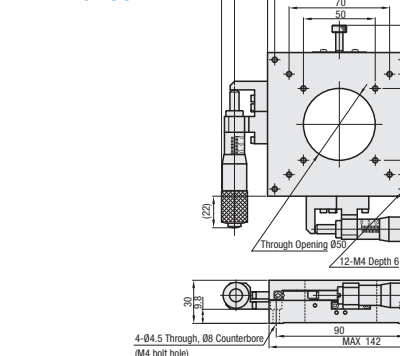
XY-Axis-Cross Roller, Through Hole



RoHS 10

Material: Aluminum Alloy
Surface Treatment: Black Anodize
Accessories: SCB4-14 (4 pcs.)

XYPPG100



Part Number	Stage Surface (mm)	Travel Distance (mm)	Load Capacity (N)	Travel Accuracy				Moment Capacity (N·m)			Moment Rigidity (N/°·cm)			Parallelism	Weight (kg)	
				Straightness	Parallelism	Pitching	Yawing	Pitching	Yawing	Rolling	Pitching	Yawing	Rolling			
XYSPG	40	40 x 40	±6.5	9.8	3 μm	20 μm	40"	20"	0.7	0.8	0.7	0.57	0.50	0.64	50 μm	0.2
	60	60 x 60							2.3	1.9	2.3	0.19	0.13	0.15		0.4
	80	80 x 80	±12.5	39.2					5.1	4.2	5.1	0.13	0.13	0.11		0.7
	100	100 x 100							5.1	4.2	5.1	0.08	0.10	0.08		1.1
XYPPG	100	100 x 100	±12.5	63.7	3 μm	20 μm	25"	15"	4.6	3.9	4.6	0.07	0.08	0.10	50 μm	1.0

Part Number Example	Part Number
	XYSPG80

Part Number Alterations	Part Number - (CR / A)
	XYSPG60 - CR

Alterations	Micrometer Position	
	Side Mount - Left/Right Reversed	Center
Spec.		
Code	CR	A

- Micrometer Head Resolution: 10 μm/division
- Knob Cover HDCVR13 (Sold Separately): increases diameter of Ø13 knob. P.2035.
- Extension Cover HDEXT13 (Sold Separately): extends Ø13 mm knob head. P.2035