


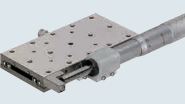
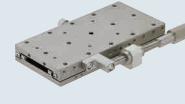
[High Precision] Linear Ball Guide Stages

X-Axis High Load Capacity Slim

Travel per Rotation	Small	Medium	Large
Stroke	Short	Medium	Long
Load Capacity	Light	Medium	Heavy

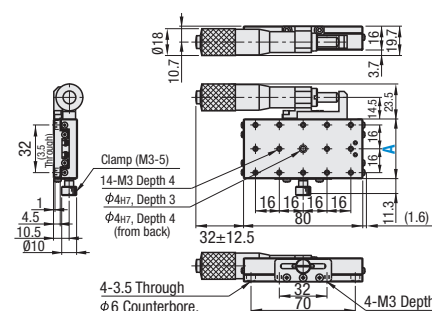
Features: Compact stages with ±12.5–±25mm strokes.

X-Axis High Load Capacity Slim

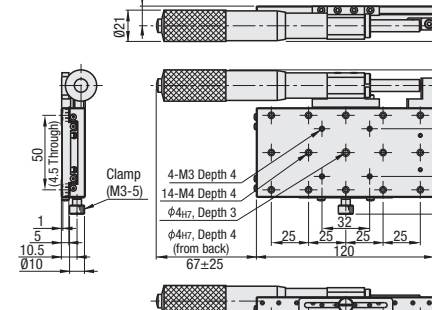




Micrometer Head

XSGL40

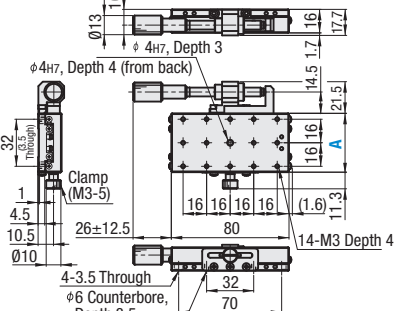


XSGL60

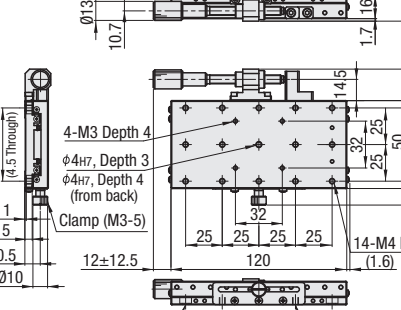


Feed Screw

XSBGL40 (Lead 1.0)



XSBGL60 (Lead 1.0)



Main Body		Ball		Spring	Micrometer Head Bracket		Tip Holder
Material	Surface Treatment	Material	Hardness	Material	Material	Surface Treatment	Material
440C Stainless Steel	Electroless Nickel Plating	440C Stainless Steel	58HRC	304 Stainless Steel PB	5052 Aluminum Alloy	Clear Anodize	303 Stainless Steel

Ⓜ For Micrometer Head & Feed Screw material details, see P.2102–2103.

Part Number	Stage Surface (mm)	Travel Distance (mm)	Load Capacity (N)		Travel Accuracy				Moment Capacity (N·m)			Moment Rigidity (N·m)			Parallelism	Weight (kg)	Accessories (4 pcs.)	
			Horizontal	Vertical	Straightness	Parallelism	Pitching	Yawing	Pitching	Yawing	Rolling	Pitching	Yawing	Rolling				
XSGL	40	40 x 80	±12.5	147	49	3 μm	8 μm	25"	15"	6.8	6.8	5	0.15	0.13	0.25	20 μm	0.44	CBM3-6
XSBGL	60	60 x 120	±25*	196	49	3 μm	8 μm	25"	15"	10	10	6.8	0.08	0.07	0.14	20 μm	0.98	CBM4-6

- Ⓜ XSGL: Micrometer Head Resolution 10 μm/division * Feed Screw Type (XSBGL) stroke is ±12.5 mm.
- Ⓜ Knob Cover HDCVR13 (Sold Separately): Ø13 Feed Screw can be increased in diameter by installing the cover. P.2035
- Ⓜ Extension Cover HDEXT13 (Sold Separately): Ø13 Feed Screw knob can be extended. P.2035
- Ⓜ Cautions for X-Axis Mounting P.2084.

Part Number Example

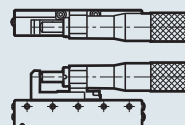
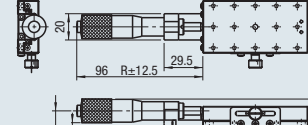
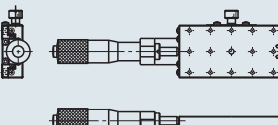
Part Number: **XSGL40**

Part Number: **XSBGL60**

Part Number Alterations

Part Number: **XSGL40 - (CR, A, AR)**

Part Number: **XSGL40 - A**

Alterations	Micrometer Head Position		
	Side Mount - Right / Left Reversed	Center	Center Mount Reversed
Spec.			
Code	CR	A	AR

Ⓜ Applicable to A40 only. Ⓜ 90±12.5 for XSBGL40


Ⓜ Applicable to A40 only.

[High Precision] Cross Roller

X-Axis Stages

Travel per Rotation	Small	Medium	Large
Stroke	Short	Medium	Long
Load Capacity	Light	Medium	Heavy

X-Axis Stages



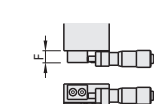
RoHS 10

Ⓜ XY-Axis P.2056

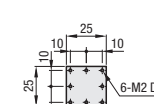
Ⓜ Z-Axis P.2068

Mounting Hole Dimensions of the Top Table

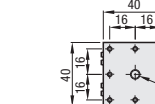
A25



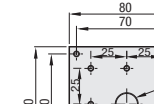
A40



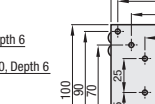
A60




A80

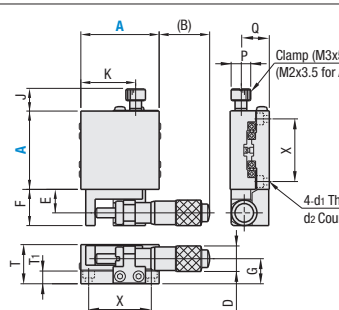


A100



A120





Ⓜ A25, 80, and 100 have different feed bracket configuration.

Material: Aluminum Alloy

Surface Treatment: Black Anodize

Ⓜ Standard Stages Similar Products (available for limited sizes only): XCRS P.2016

Part Number	Top View										Front View					Side View			
	Type	A	(B)	Travel Distance (mm)	E	F	J	K	D	G	T	T ₁	P	Q	X	d ₁	d ₂	ℓ	
XPG	25	25	25	±3.2	4.5	6.5	6.8	15.0	9.3	8.5	15	4.5	6	10.5	20	2.5	4.2	2.0	
	40	26	26	±6.5	12.0	18.5	11.3	28.0	13.0	13.0	20	6.5	10	14.5	32	3.5	6.0	3.5	
	60	19.8	19.8	±6.5	12.0	18.5	11.3	42.5	13.0	13.0	20	6.5	10	14.5	50	4.5	8.0	4.0	
	80	43.5	43.5	±12.5	17.0	22.0	11.3	55.0	18.0	11.0	20	5.7	10	14.5	70	4.5	8.0	4.5	
	100	28.5	28.5	±12.5	17.0	22.0	11.3	67.5	18.0	11.0	20	5.7	10	14.5	90	4.5	8.0	4.5	
	120	67.5	67.5	±25	13.0	20.0	11.3	67.5	21.0	18.0	30	9.5	10	18.0	100	4.5	8.0	4.5	

Performance

A	Stage Surface (mm)	Load Capacity (N)		Travel Accuracy				Moment Capacity (N·m)			Moment Rigidity (N·m/cm)			Parallelism	Weight (kg)	Accessories (4 pcs.)
		Horizontal	Vertical	Straightness	Parallelism	Pitching	Yawing	Pitching	Yawing	Rolling	Pitching	Yawing	Rolling			
25	25 x 25	9.8	4.9	3 μm	10 μm	25"	15"	1.1	0.8	0.4	3.03	2.85	1.80	30 μm	0.04	SCB2-6
40	40 x 40	19.6	9.8					2.7	2.2	2.0	0.38	0.42	0.28			
60	60 x 60	49.0	19.6					5.2	4.3	5.5	0.12	0.11	0.07			
80	80 x 80	98.0	49.0					19.2	15.1	17.3	0.05	0.05	0.04			
100	100 x 100	147.0	98.0					36.0	30.0	33.0	0.06	0.07	0.05			
120	120 x 120	196.0	147.0					57.2	44.7	66.7	0.03	0.02	0.01			

Ⓜ Micrometer Head Resolution: 10 μm/division, Travel per Knob Rotation: 0.5 mm

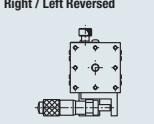
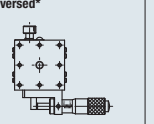
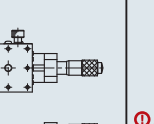
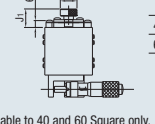
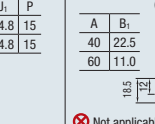
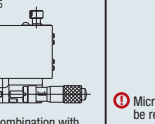
Part Number Example

Part Number: **XPG60**

Part Number Alterations

Part Number: **XPG40 - (CR, CZ, A, etc.)**

Part Number: **XPG40 - CZ**

Alterations	Micrometer Head Position			Reinforced Clamp		No Micrometer Head
	Side Mount - Right / Left Reversed	Side Mount - Top/Bottom Reversed*	Center	Disc Clamp	Opposed Clamp	
Spec.						
Code	CR	CZ	A	H	P	MN

Ⓜ CZ: Attach Micrometer on the upper table (Standard Type has them attached to the bottom plate).

Ⓜ Mounting dimensions of Micrometer Heads and Clamps are different from those of standard products. See the CAD data for details.

Ⓜ When other Micrometer Head mounting positions are desired, select from the "Specification Selectable Type" on P.2084.

Ⓜ Knob Cover HDCVR13 (Sold Separately): Ø13 Micrometer knob diameter can be increased by installing the cover. P.2035

Ⓜ Extension Cover HDEXT13 (Sold Separately): Ø13 Micrometer Head or Feed Screw knobs can be extended by installing the cover. P.2035