


[High Precision] Dovetail Slide Feed Screw Type / XY Adapter Plate

X-Axis Slim / Stages Slim Low Profile Type (Lead 4.2 mm)

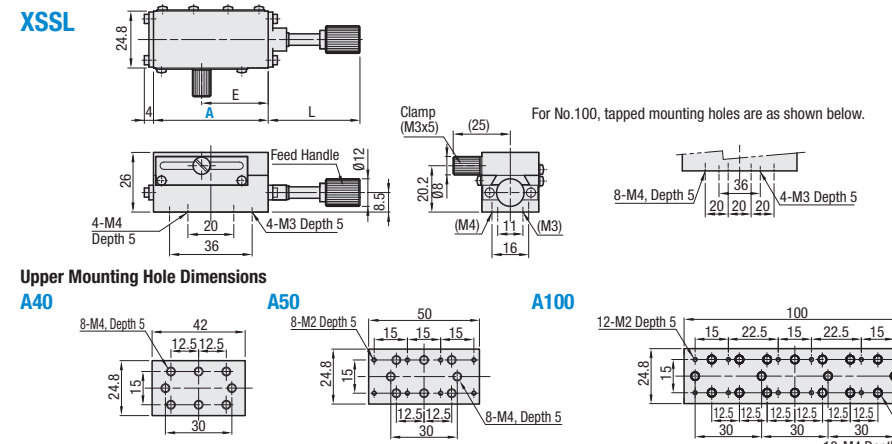
Travel per Rotation	Small	Medium	Large
Stroke	Short	Medium	Long
Load Capacity	Light	Medium	Heavy

X-Axis Slim
(Lead 4.2mm)



RoHS10

XSSL



Upper Mounting Hole Dimensions
A40 **A50** **A100**

Material: Aluminum Alloy Surface Treatment: Black Anodize

Part Number	Stage Surface (mm)	Travel Distance (mm)	Travel per Knob Rotation (mm)	L	E	Load Capacity (N)		Travel Accuracy (µm)		Weight (kg)	Accessories			
						Horizontal	Vertical	Straightness	Parallelism		Type M-L	Qty.		
XSSL	40	24.8 x 42	±12	4.2	40	25	29.4	14.7	20	30	SCB4-8	4		
	50	24.8 x 50	±16		40	29							SCB3-6	4
	100	24.8 x 100	±40		60	54								
						39.2	19.6			SCB3-6	4			

- Resolution (Vernier Scale Indication): 0.1 mm/division
- Extension Cover HDEXT12 (Sold Separately): Ø12 feed screw knob can be extended. P.2035
- Adjustable Plate XPLT: Use this plate when connecting stages with non-matching mounting holes. P.2022

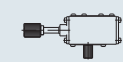
Part Number Example

Part Number: **XSSL50**

Part Number Alterations


Part Number: **XSSL100 - R**

Alteration: Knob Position Change (Left / Right Reversed)

Spec. 

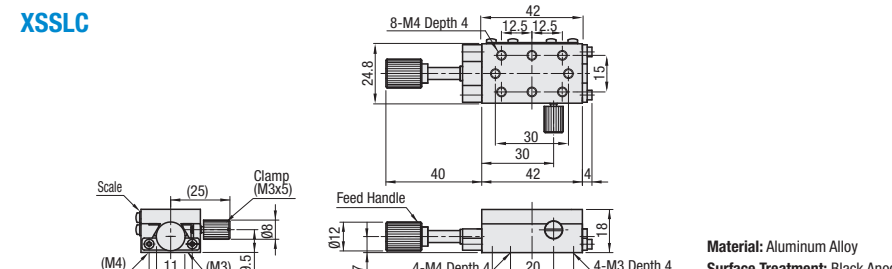
Code: **R**

X-Axis Stages Slim Low Profile Type
(Lead 4.2mm)



RoHS10

XSSLC



Material: Aluminum Alloy Surface Treatment: Black Anodize

Part Number	Stage Surface (mm)	Travel Distance (mm)	Travel per Knob Rotation (mm)	Load Capacity (N)		Travel Accuracy (µm)		Weight (kg)	Accessories		
				Horizontal	Vertical	Straightness	Parallelism		Type M-L	Qty.	
XSSLC	40	24.8 x 42	±12	4.2	19.6	9.8	30	30	0.08	SCB4-6	4

- Resolution (Vernier Scale Indication): 0.1 mm/division
- Extension Cover HDEXT12 (Sold Separately): Ø12 feed screw knob can be extended. P.2035
- Adjustable Plate XPLT: Use this plate when connecting stages with non-matching mounting holes. P.2022


Part Number Example

Part Number: **XSSLC40**

Part Number Alterations


Part Number: **XSSLC40 - R**

Alteration: Knob Position Change (Left/Right Reversed)

Spec. 

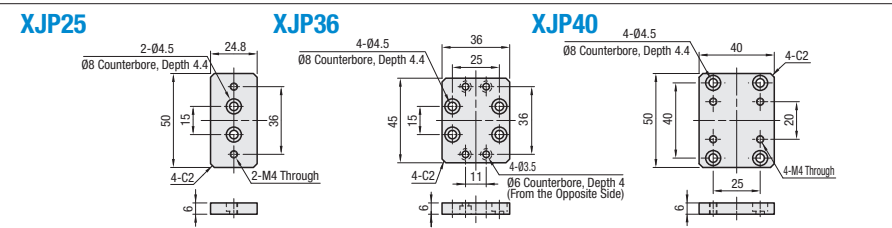
Code: **R**

XY-Axis Adapter Plates



RoHS10

XJP25 **XJP36** **XJP40**



Material: Aluminum Alloy Surface Treatment: Black Anodize

Part Number	Type	No.	Accessories	
			Type M-L	Qty.
XJP		25	SCB4-6	4 pcs.
		36	SCB4-6 (4 pcs.)	SCB3-6 (4 pcs.)
		40	SCB4-6	8 pcs.

Part Number Example

Part Number: **XJP40**


Applicable Stages

Bottom	Top	XSSL	XSL	XSLC	XSP
		XSSLC	XSB	XSB	XSB
XSSL / XSSLC	XJP36	—	—	XJP25	—
XSL / XSLC (P.2029) / XSB (P.2023)	—	—	XJP40	—	—
XSP (P.2020)	XJP36	—	—	XJP25	—
XWG40 (P.2021)	XJP36	—	—	XJP25	—
XWG60, 90, 140 (P.2021)	—	—	XJP40	—	—

Accessories for Dovetail Slide Stages

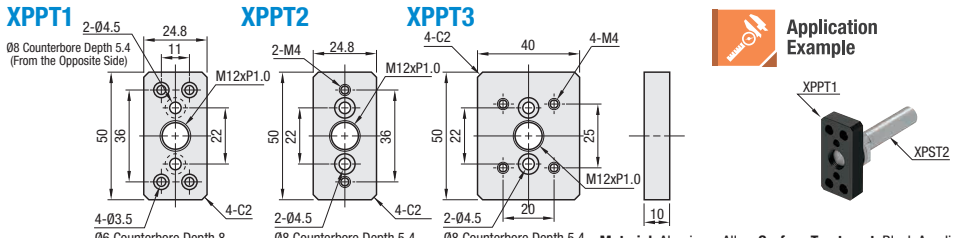
Bases / Shafts (Ø12) / Shafts (with Lever Handle) / CCD Camera Attachment Adapters / Holders

Bases for Stages



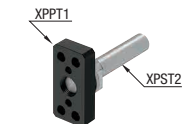
RoHS10

XPPT1 **XPPT2** **XPPT3**




Material: Aluminum Alloy Surface Treatment: Black Anodize

Application Example

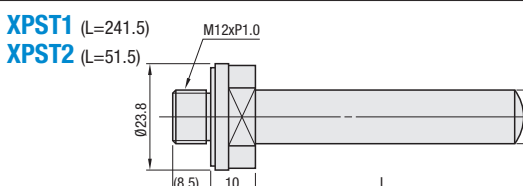


Shafts for Stages (Ø12)



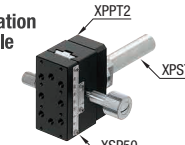
RoHS10

XPST1 (L=241.5)
XPST2 (L=51.5)




Material: 303 Stainless Steel, Low Cadmium Brass
Surface Treatment: Nickel Chrome Plating

Application Example

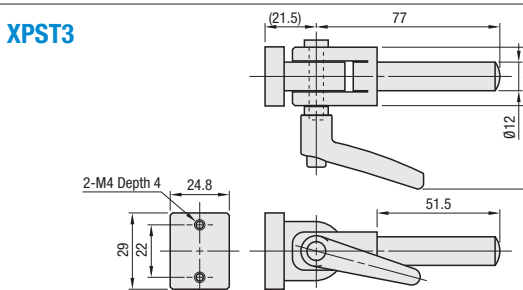


Shafts for Stages (with Lever Handle)



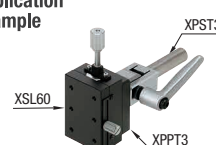
RoHS10

XPST3



Material: 303 Stainless Steel, Low Cadmium Brass
Surface Treatment: Nickel Chrome Plating
Accessories: SCB4-8 (2 pcs.)

Application Example




Part Number Example

Part Number: **XPPT1**
XPST1
XPST3

Part Number	Applicable Stage	Accessories: Type M-L (Quantity)
XPPT1	XSSL, XSSLC	SCB4-8 (2 pcs.) SCB3-6 (4 pcs.)
XPPT2	XSP	SCB4-8 (4 pcs.)
XPPT3	XSL, XSLC, XSB	SCB4-8 (6 pcs.)

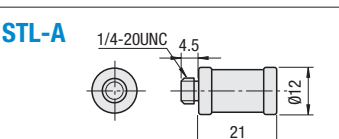
⊗ Not compatible with XSC.

CCD Camera Attachment Adapters



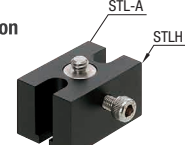
RoHS10

STL-A

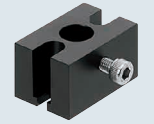


Material: 303 Stainless Steel

Application Example

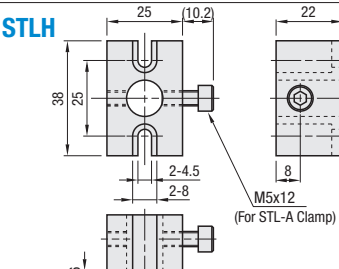


CCD Camera Attachment Holders



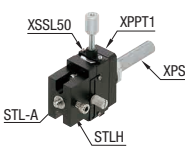
RoHS10

STLH



Can be combined with Dovetail Stages such as XWG (P.2021), XYWG (P.2046), ZWG (P.2060), XLWG (P.2025), ZLWG (P.2062), REG (P.2096).

Application Example



Part Name	Material	Surface Treatment
Body	Aluminum Alloy	Black Anodize
Screw	302HQ Stainless Steel	—

Accessories: SCB4-8 (2 pcs.), Flat Washers (2 pcs.)

Part Number Example

Part Number: **STL-A**
STLH

Application Example

