
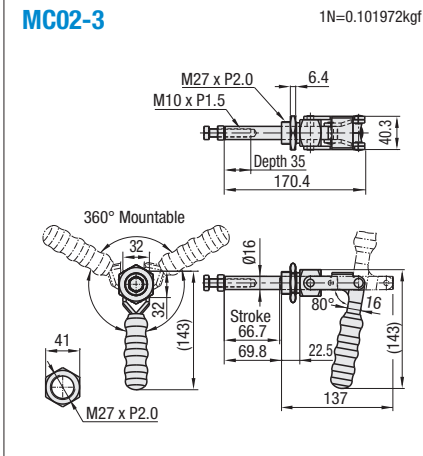
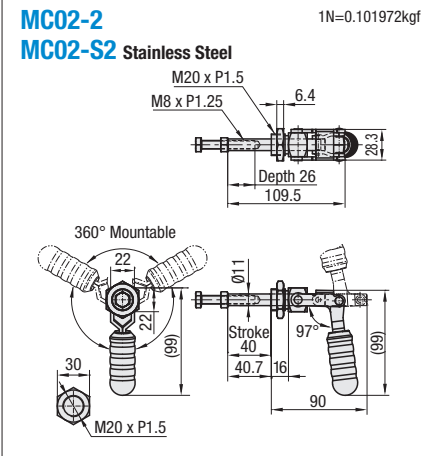
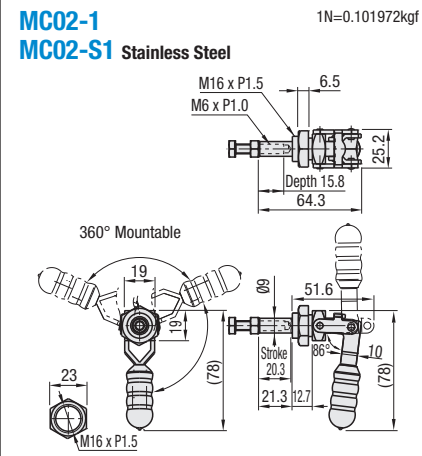



Toggle Clamps

Side Push-Pull Free Mounting Direction / Horizontal (Flange Base)

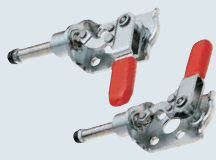
Side Push-Pull Free Mounting Direction	Part Number		Side Push-Pull Free Mounting Direction	Part Number		Side Push-Pull Free Mounting Direction	Part Number	
	MC02-1	MC02-S1		MC02-2	MC02-S2		MC02-3	
 Clamp Condition *Shaft: Nickel Plating	Body Material	1018 Carbon Steel or Equivalent	304 Stainless Steel Shaft: 416 Stainless Steel Pin: 410 Stainless Steel	Body Material	1018 Carbon Steel or Equivalent	304 Stainless Steel Shaft: 416 Stainless Steel Pin: 410 Stainless Steel	Body Material	1018 Carbon Steel or Equivalent
	Surface Treatment	*Trivalent Chromate	—	Surface Treatment	*Trivalent Chromate	—	Surface Treatment	*Trivalent Chromate
	Stroke (mm)	20.34		Stroke (mm)	40		Stroke (mm)	66.7
	Tightening Force (N)	900		Tightening Force (N)	1470		Tightening Force (N)	3138
	Open-Close Angle of Handle	189°		Open-Close Angle of Handle	189°		Open-Close Angle of Handle	189°
	Weight (g)	120		Weight (g)	280		Weight (g)	750
Accessories	Steel Bolt	Stainless Steel Bolt	Accessories	Steel Bolt	Stainless Steel Bolt	Accessories	Steel Bolt	

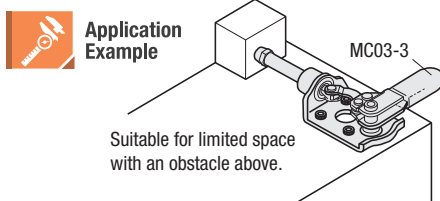
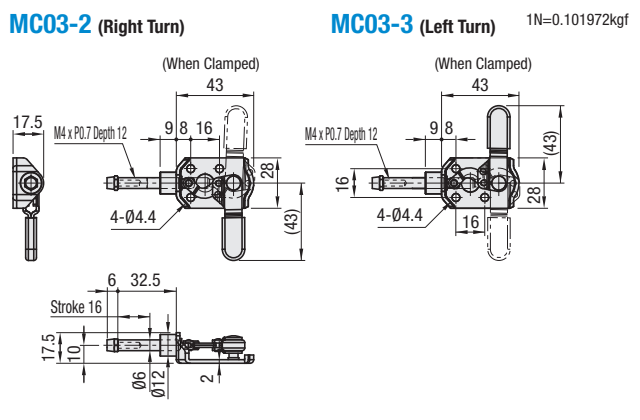
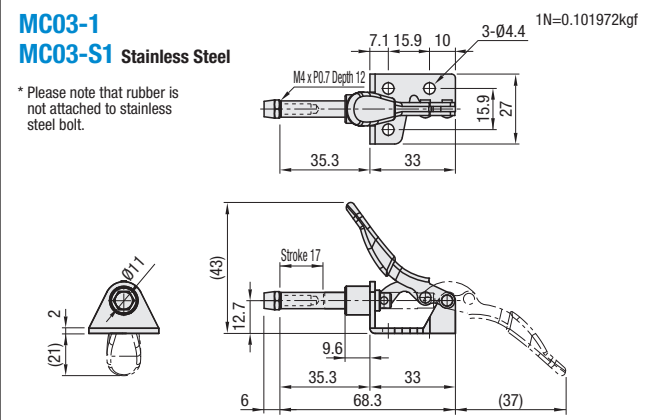


Horizontal (Flange Base)

Horizontal (Flange Base)	Part Number	
	MC03-1	MC03-S1
 Clamp Condition *Shaft: Nickel Plating	Body Material	1018 Carbon Steel or Equivalent
	Surface Treatment	*Trivalent Chromate
	Stroke (mm)	17
	Tightening Force (N)	450
	Open-Close Angle of Handle	185°
	Weight (g)	50
Accessories	Bolt with Rubber Material: NBR Nitrile Rubber Hardness: Shore A70	Stainless Steel Bolt

Horizontal (Flange Base)


Horizontal (Flange Base)	Part Number	
	MC03-2	MC03-3
 Clamp Condition *Shaft: Nickel Plating	Body Material	1018 Carbon Steel or Equivalent
	Surface Treatment	*Trivalent Chromate
	Stroke (mm)	16
	Tightening Force (N)	500
	Open-Close Angle of Handle	181°
	Weight (g)	65
Accessories	Bolt with Rubber Material: NBR Nitrile Rubber Hardness: Shore A70	

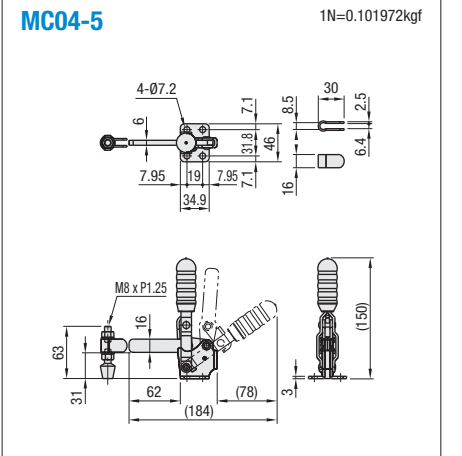
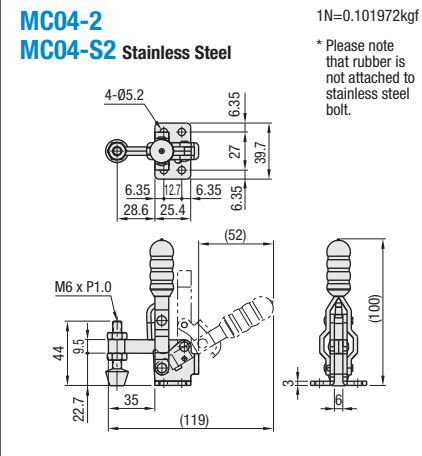
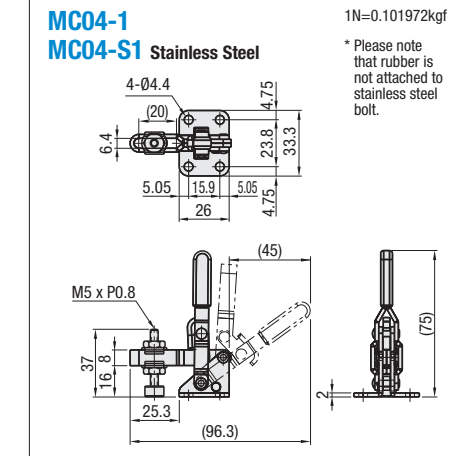


There's more on the web: misumiusa.com

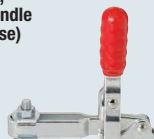
Toggle Clamps

Hold Down, Vertical Handle (Flange Base)


Hold Down, Vertical Handle (Flange Base)	Part Number		Hold Down, Vertical Handle (Flange Base)	Part Number		Hold Down, Vertical Handle (Flange Base)	Part Number	
	MC04-1	MC04-S1		MC04-2	MC04-S2		MC04-5	
 Clamp Condition	Body Material	1018 Carbon Steel or Equivalent	304 Stainless Steel	Body Material	1018 Carbon Steel or Equivalent	304 Stainless Steel	Body Material	1018 Carbon Steel or Equivalent
	Surface Treatment	Trivalent Chromate	—	Surface Treatment	Trivalent Chromate	—	Surface Treatment	Trivalent Chromate
	Tightening Force (N)	441		Tightening Force (N)	882		Tightening Force (N)	2270
	Weight (g)	60		Weight (g)	170		Weight (g)	340
	Open-Close Angle of Arm	104°		Open-Close Angle of Arm	98°		Open-Close Angle of Arm	107°
	Open-Close Angle of Handle	62°		Open-Close Angle of Handle	62°		Open-Close Angle of Handle	60°
Accessories	Bolt with Rubber Material: NBR Nitrile Rubber Hardness: Shore A70	Stainless Steel Hex Screw	Accessories	Bolt with Rubber Material: NBR Nitrile Rubber Hardness: Shore A70	Stainless Steel Hex Screw	Accessories	Bolt with Rubber Material: NBR Nitrile Rubber Hardness: Shore A70	

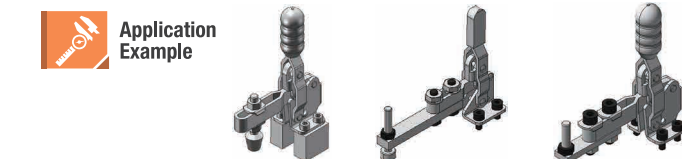
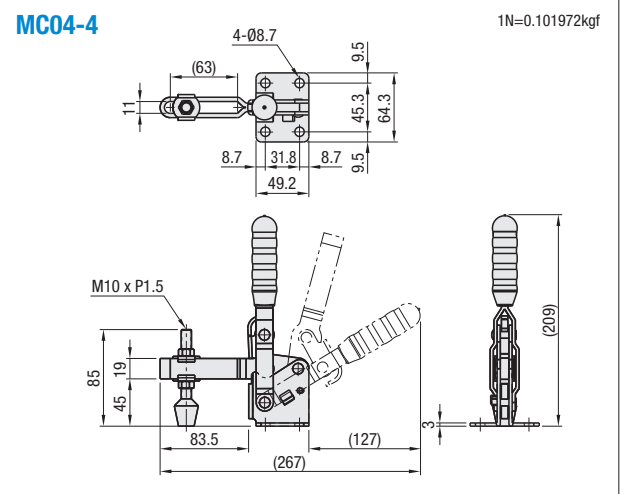
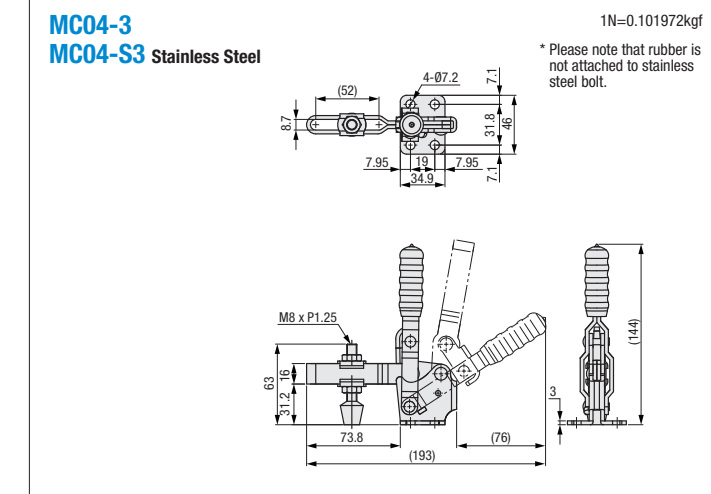


Hold Down, Vertical Handle (Flange Base)

Hold Down, Vertical Handle (Flange Base)	Part Number	
	MC04-3	MC04-S3
 Clamp Condition	Body Material	1018 Carbon Steel or Equivalent
	Surface Treatment	Trivalent Chromate
	Tightening Force (N)	2205
	Weight (g)	355
	Open-Close Angle of Arm	105°
	Open-Close Angle of Handle	59°
Accessories	Bolt with Rubber Material: NBR Nitrile Rubber Hardness: Shore A70	Stainless Steel Bolt

Hold Down, Vertical Handle (Flange Base)

Hold Down, Vertical Handle (Flange Base)	Part Number	
	MC04-4	MC04-S4
 Clamp Condition	Body Material	1018 Carbon Steel or Equivalent
	Surface Treatment	Trivalent Chromate
	Tightening Force (N)	3332
	Weight (g)	635
	Open-Close Angle of Arm	118°
	Open-Close Angle of Handle	73°
Accessories	Bolt with Rubber Material: NBR Nitrile Rubber Hardness: Shore A70	



Check out misumiusa.com for the most current pricing and lead time.