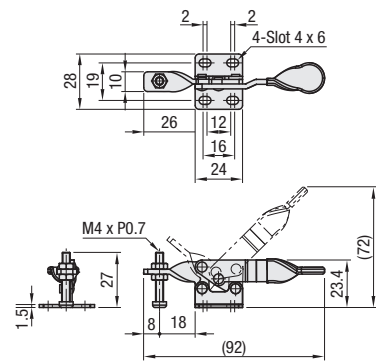


# Toggle Clamps

## Hold Down, Horizontal Handle (Flange Base)

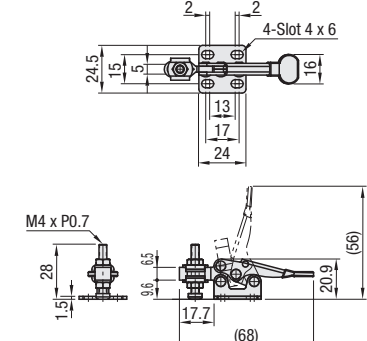
Hold Down, Horizontal Handle – Flange Base	Part Number	MC01-5	Hold Down, Horizontal Handle – Flange Base	Part Number	MC01-6	MC01-S6	Hold Down, Horizontal Handle – Flange Base	Part Number	MC01-7
	Body Material	1018 Carbon Steel or Equivalent		1018 Carbon Steel or Equivalent	304 Stainless Steel	1018 Carbon Steel or Equivalent			
	Surface Treatment	Trivalent Chromate		Trivalent Chromate	—	Trivalent Chromate			
	Tightening Force (N)	196		196	294				
	Weight (g)	30		30	100				
	Open-Close Angle of Arm	71°		75°	74°				
	Open-Close Angle of Handle	76°		73°	75°				
Accessories	Steel Bolt	Steel Bolt	Stainless Steel Bolt	Steel Bolt					

**MC01-5** 1N=0.101972kgf

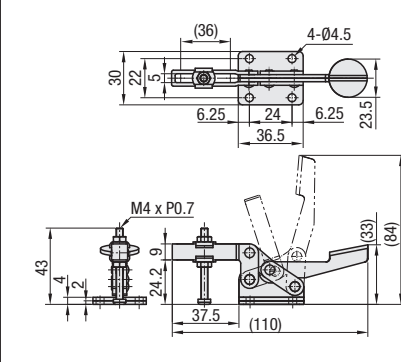


**MC01-6** 1N=0.101972kgf

**MC01-S6** Stainless Steel



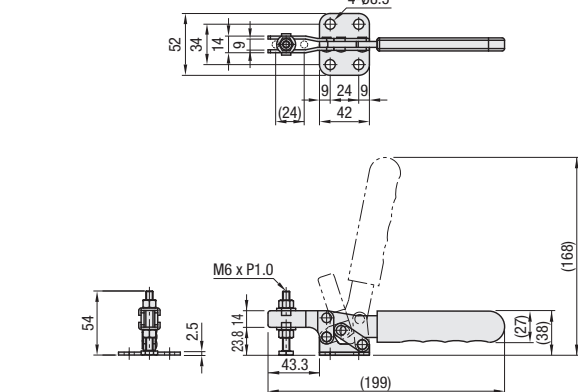
**MC01-7** 1N=0.101972kgf



Hold Down – Horizontal Handle (Flange Base)	Part Number	MC01-8	MC01-S8	Hold Down – Horizontal Handle (Flange Base)	Part Number	MC01-9	MC01-S9
	Body Material	1018 Carbon Steel or Equivalent	304 Stainless Steel		1018 Carbon Steel or Equivalent	304 Stainless Steel	
	Surface Treatment	Trivalent Chromate	—		Trivalent Chromate	—	
	Tightening Force (N)	2450	2744		2500	2744	
	Weight (g)	210	435		210	435	
	Open-Close Angle of Arm	79°	81°		77°	81°	
	Open-Close Angle of Handle	86°	89°		87°	89°	
Accessories	Steel Bolt	Stainless Steel Bolt	Steel Bolt	Stainless Steel Bolt			

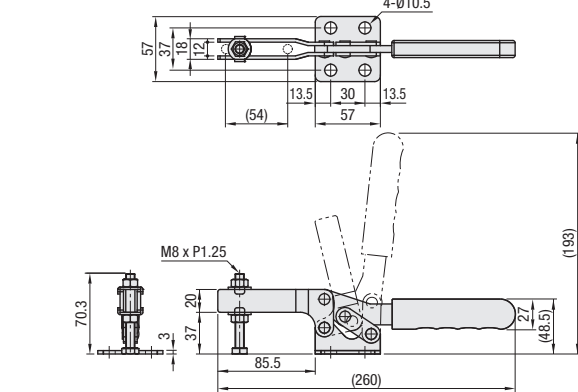
**MC01-8** 1N=0.101972kgf

**MC01-S8** Stainless Steel



**MC01-9** 1N=0.101972kgf

**MC01-S9** Stainless Steel



Part Number Example **MC01-6**  
Part Number **MC01-S8**

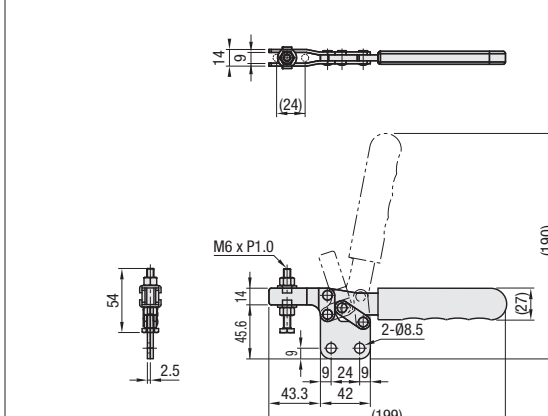
# Toggle Clamps

## Hold Down, Horizontal Handle (Straight Base / Side Mount Base / Flange Base)

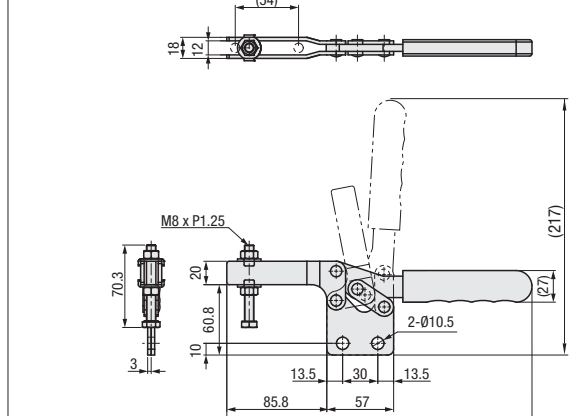
Features: MC01-11 is Side Mount Base Type. MC01-12 and MC01-13 each have a high clamping force.

Hold Down – Horizontal Handle (Straight Base)	Part Number	MC01-8S	Hold Down – Horizontal Handle (Straight Base)	Part Number	MC01-9S
	Body Material	1018 Carbon Steel or Equivalent		1018 Carbon Steel or Equivalent	
	Surface Treatment	Trivalent Chromate		Trivalent Chromate	
	Tightening Force (N)	2450		2744	
	Weight (g)	210		435	
	Open-Close Angle of Arm	79°		81°	
	Open-Close Angle of Handle	86°		89°	
Accessories	Steel Bolt	Steel Bolt			

**MC01-8S** Straight Base 1N=0.101972kgf

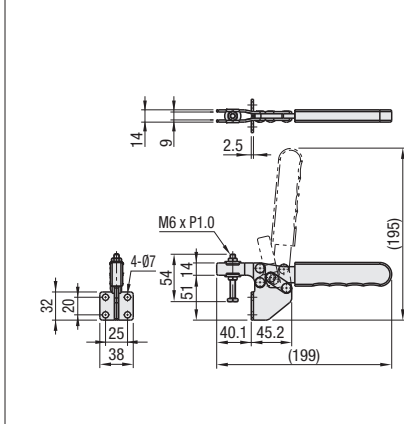


**MC01-9S** Straight Base 1N=0.101972kgf

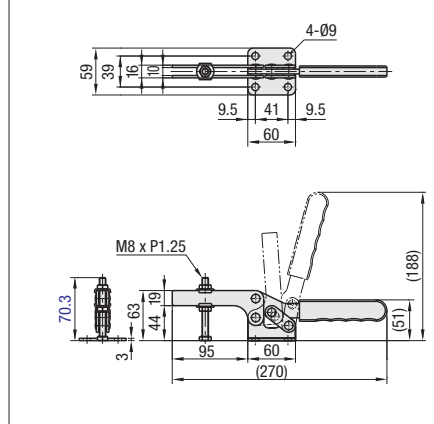


Hold Down – Horizontal Handle (Side Mount Base)	Part Number	MC01-11	Hold Down – Horizontal Handle (Flange Base)	Part Number	MC01-12	Hold Down – Horizontal Handle (Flange Base)	Part Number	MC01-13
	Body Material	1018 Carbon Steel or Equivalent		1018 Carbon Steel or Equivalent	1018 Carbon Steel or Equivalent		1018 Carbon Steel or Equivalent	
	Surface Treatment	Trivalent Chromate		Trivalent Chromate	Trivalent Chromate		Trivalent Chromate	
	Tightening Force (N)	2500		2800	5000			
	Weight (g)	210		530	635			
	Open-Close Angle of Arm	77°		88°	66°			
	Open-Close Angle of Handle	87°		79°	82°			
Accessories	Steel Bolt	Steel Bolt	Steel Bolt					

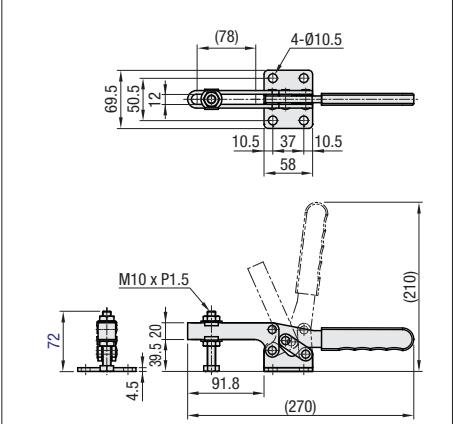
**MC01-11** 1N=0.101972kgf



**MC01-12** 1N=0.101972kgf



**MC01-13** 1N=0.101972kgf



Part Number Example **MC01-11**  
Part Number **MC01-12**

Application Example

