

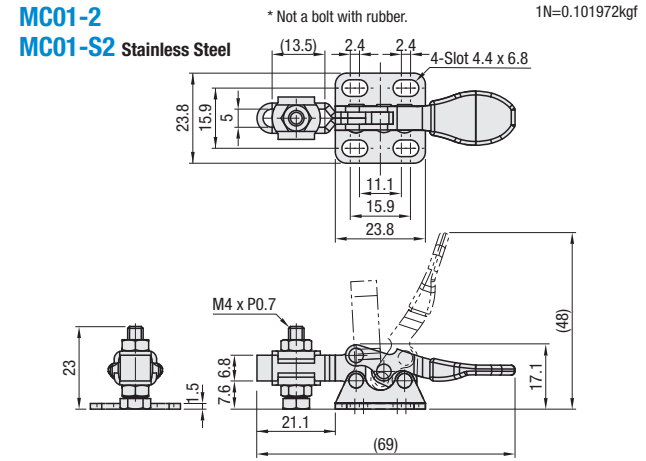
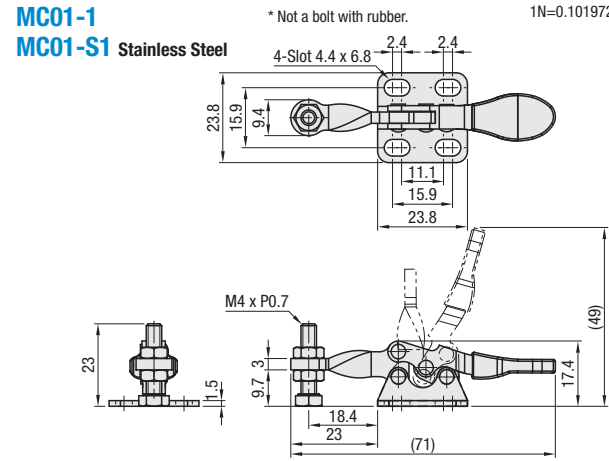




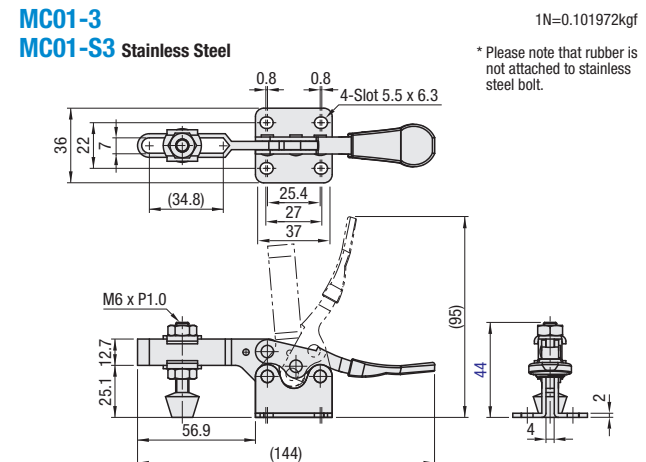
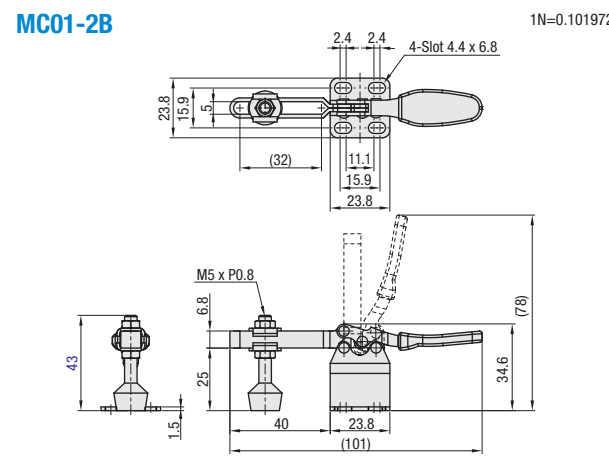
Toggle Clamps

Hold Down, Horizontal Standard Handle (Flange Base)

Hold Down – Horizontal Handle Standard Handle (Flange Base)	Part Number	MC01-1	MC01-S1	Hold Down – Horizontal Handle Standard Handle (Flange Base)	Part Number	MC01-2	MC01-S2
		Body Material	1018 Carbon Steel or Equivalent		304 Stainless Steel		Body Material
	Surface Treatment	Trivalent Chromate	—		Surface Treatment	Trivalent Chromate	—
	Tightening Force (N)	264.6			Tightening Force (N)	264.6	
	Weight (g)	30			Weight (g)	35	
	Open-Close Angle of Arm	90°			Open-Close Angle of Arm	90°	
	Open-Close Angle of Handle	73°			Open-Close Angle of Handle	73°	
	Accessories	*Nylon Bolt	Stainless Steel Bolt		Accessories	*Nylon Bolt	Stainless Steel Bolt





Hold Down – Horizontal Handle Standard Handle (Flange Base)	Part Number	MC01-2B	Hold Down – Horizontal Handle Standard Handle (Flange Base)	Part Number	MC01-3	MC01-S3
		Body Material		1018 Carbon Steel or Equivalent		Body Material
	Surface Treatment	Trivalent Chromate		Surface Treatment	Trivalent Chromate	—
	Tightening Force (N)	400		Tightening Force (N)	882	—
	Weight (g)	60		Weight (g)	130	—
	Open-Close Angle of Arm	90°		Open-Close Angle of Arm	80°	—
	Open-Close Angle of Handle	75°		Open-Close Angle of Handle	73°	—
	Accessories	Bolt with Rubber Material: NBR Nitrile Rubber Hardness: Shore A70		Accessories	Bolt with Rubber Material: NBR Nitrile Rubber Hardness: Shore A70 / Stainless Steel Bolt	

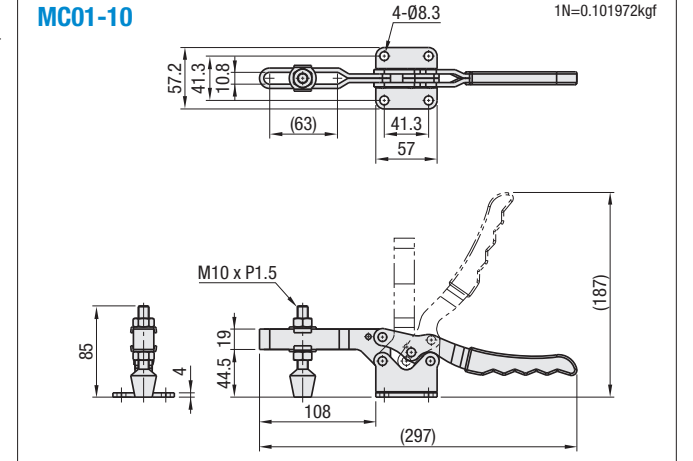
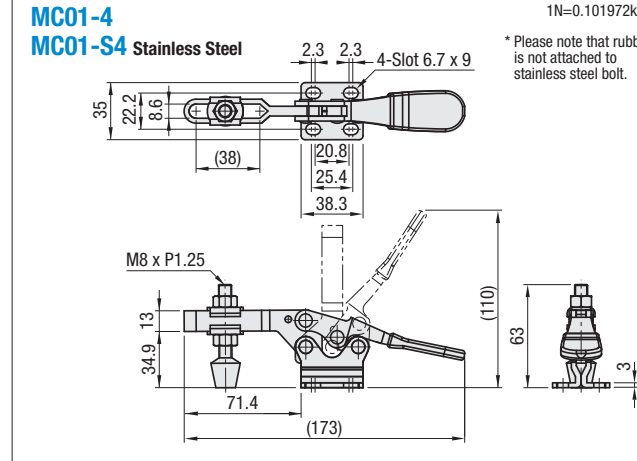




Part Number Example **MC01-1**

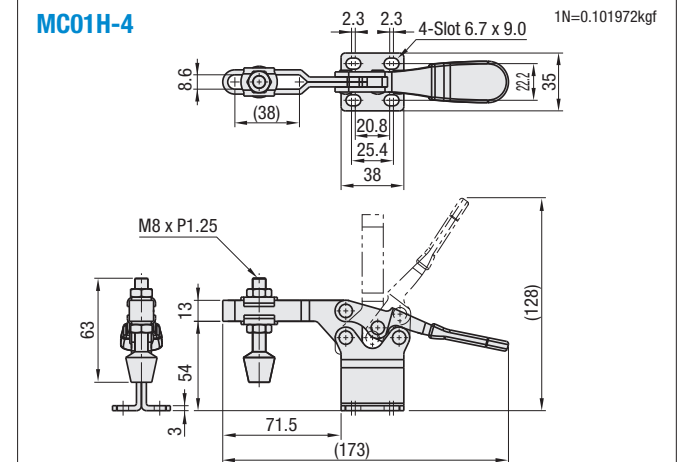
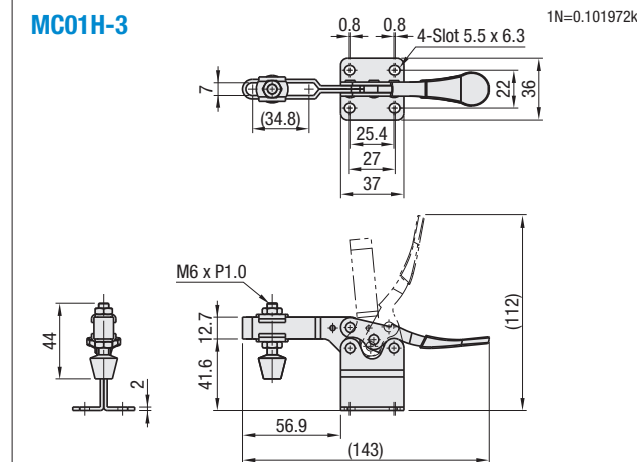
Toggle Clamps

Hold Down, Horizontal Standard Handle (Flange Base) / High Arm Type (Flange Base)

Hold Down – Horizontal Handle Standard Handle (Flange Base)	Part Number	MC01-4	MC01-S4	Hold Down – Horizontal Handle Standard Handle (Flange Base)	Part Number	MC01-10
		Body Material	1018 Carbon Steel or Equivalent		304 Stainless Steel	
	Surface Treatment	Trivalent Chromate	—		Surface Treatment	Trivalent Chromate
	Tightening Force (N)	2352			Tightening Force (N)	3400
	Weight (g)	265			Weight (g)	640
	Open-Close Angle of Arm	90°			Open-Close Angle of Arm	90°
	Open-Close Angle of Handle	65°			Open-Close Angle of Handle	62°
	Accessories	Bolt with Rubber Material: NBR Nitrile Rubber Hardness: Shore A70 / Stainless Steel Bolt			Accessories	Bolt with Rubber Material: NBR Nitrile Rubber Hardness: Shore A70



High Arm Type (Flange Base)	Part Number	MC01H-3	High Arm Type (Flange Base)	Part Number	MC01H-4
		Body Material		1018 Carbon Steel or Equivalent	
	Surface Treatment	Trivalent Chromate		Surface Treatment	Trivalent Chromate
	Tightening Force (N)	900		Tightening Force (N)	2270
	Weight (g)	150		Weight (g)	290
	Open-Close Angle of Arm	80°		Open-Close Angle of Arm	90°
	Open-Close Angle of Handle	73°		Open-Close Angle of Handle	65°
	Accessories	Bolt with Rubber Material: NBR Nitrile Rubber Hardness: Shore A70		Accessories	Bolt with Rubber Material: NBR Nitrile Rubber Hardness: Shore A70



Part Number Example **MC01-10**
MC01H-3

