

Threaded Stopper Blocks

L-Shaped

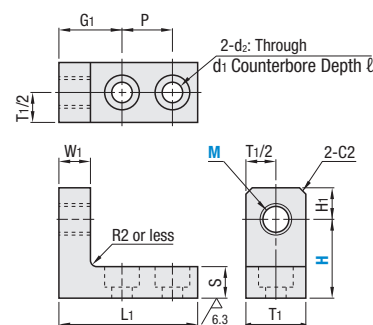
Threaded Stopper Blocks – L-Shaped Type



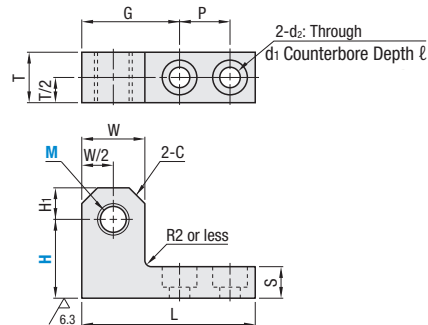
RoHS 10

Type			Material	Surface Treatment
Parallel Mounting Type		Perpendicular Mounting Type		
Coarse Thread	Fine Thread	Coarse Thread		
AJLTT	AJLSTT	AJLCTY	1045 Carbon Steel or Equivalent	Black Oxide
AJLTTM	AJLSTTM	AJLCTYM	1045 Carbon Steel or Equivalent	Electroless Nickel Plating
AJLTS	—	—	304 Stainless Steel	—

Parallel Mounting Type



Perpendicular Mounting Type



Parallel Mounting Type

Part Number	Type	M	H Selection		H ₁	T ₁	M x Pitch		W ₁	L ₁	S	P	G ₁	d ₁	d ₂	ℓ
			Coarse Thread	Fine Thread			Coarse Thread	Fine Thread								
Coarse AJLTT AJLTTM AJLTS	3	15	20	4	9	3 x 0.5	3 x 0.35	5	25	6	10	10	6.5	3.5	3.5	
	4															4 x 0.7
	5	15	20	6	12	5 x 0.8	5 x 0.5	8	32	8	10	15	8	4.5	4.5	
	6															6 x 1.0
Fine AJLSTT AJLSTTM	8	25	30	10	22	8 x 1.25	8 x 0.75	10	44	10	16	20	11	6.5	6.5	
	10															10 x 1.5
	12	35	40	15	30	12 x 1.75	12 x 1.0	15	65	15	30	25	14	9	9	
	16															16 x 2.0
20	20 x 2.5	20 x 1.5														

Perpendicular Mounting Type

Part Number	Type	M	H Selection		H ₁	T	L	W	S	C	P	G	d ₁	d ₂	ℓ	
			Coarse Thread	Fine Thread												
Coarse AJLCTY AJLCTYM	3	10	15	4	9	3 x 0.5	28	8	6	2	10	13	6.5	3.5	3.5	
	4															4 x 0.7
	5	15	20	6	10	5 x 0.8	32	10	8	2	10	17	8	4.5	4.5	
	6															6 x 1.0
	Fine AJLSTT AJLSTTM	8	20	25	10	16	8 x 1.25	55	20	10	5	16	31	11	6.5	6.5
		10														
12		30	35	15	19	12 x 1.75	75	30	15	7	20	45	14	9	9	
16																16 x 2.0
20	20 x 2.5	20 x 1.5														

Bottom Mounting Type

Part Number	Type	M	H Selection		H ₁	T	L	B	P	S	d	Available Types		
			Coarse Thread	Fine Thread								AJLN	AJLNM	AJLNS
Coarse AJLN AJLNM AJLNS	3	15	20	10	6	3 x 0.5	30	20	14	12	4.5	•	•	•
	4													
	5	15	20	25	10	6	5 x 0.8	30	20	14	12	•	•	•
	6													
Fine AJLS AJLSS	8	25	30	15	10	8 x 1.25	40	30	20	20	6.5	•	•	•
	10													
	12	30	40	20	15	12 x 1.75	60	40	30	27.5	9	•	•	•
	16													
20	20 x 2.5	20 x 1.5												

Ⓣ T dimension of AJLNS and AJLSS (Material: Stainless Steel) is shown in (). M16 and M20 are not available.

Part Number Example: AJLTS - H 15

Threaded Stopper Blocks

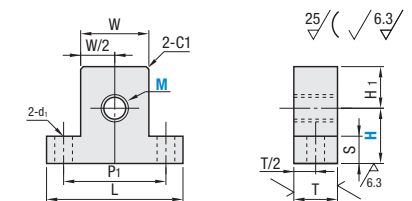
T-Shaped / Side Counterbored / Two-Hole Type

Threaded Stopper Blocks – T-Shaped Type



RoHS 10

Type		Material	Surface Treatment
Coarse Thread	Fine Thread		
AJTN	AJTS	1018 Carbon Steel or Equivalent	Black Oxide
AJTNM	AJTSM	1018 Carbon Steel or Equivalent	Electroless Nickel Plating
AJTNS	AJTSS	304 Stainless Steel	—



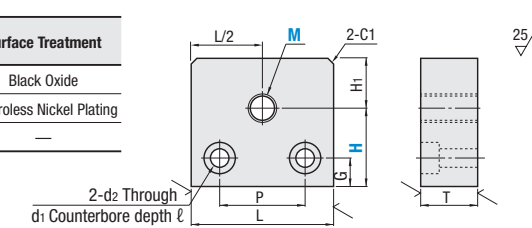
Part Number	Type	M	H Selection		H ₁	T	M x Pitch		L	W	P ₁	d ₁	S
			Coarse Thread	Fine Thread			Coarse Thread	Fine Thread					
Coarse AJTN AJTNM AJTNS	3	15	20	10	10	3 x 0.5	3 x 0.35	32	16	24	4.5	5	
	4												4 x 0.7
	5	15	20	15	16	5 x 0.8	5 x 0.5	50	25	38	6.5	10	
	6												6 x 1.0
Fine AJTS AJTSM AJTSS	8	20	25	20	22	8 x 1.25	8 x 0.75	75	40	57	9	15	
	10												10 x 1.5
	12	25	30	20	22	12 x 1.75	12 x 1.0	20	22	57	9	15	
	16												16 x 2.0
20	20 x 2.5	20 x 1.5											

Threaded Stopper Blocks – Side Counterbored Type



RoHS 10

Type		Material	Surface Treatment
Coarse Thread	Fine Thread		
AJFN	AJFS	1018 Carbon Steel or Equivalent	Black Oxide
AJFNM	AJFSM	1018 Carbon Steel or Equivalent	Electroless Nickel Plating
AJFNS	AJFSS	304 Stainless Steel	—



Part Number	Type	M	H Selection		H ₁	T	M x Pitch		L	P	d ₁	d ₂	ℓ	G
			Coarse Thread	Fine Thread			Coarse Thread	Fine Thread						
Coarse AJFN AJFNM AJFNS	3	20	25	10	10	3 x 0.5	3 x 0.35	32	20	8	4.5	4.5	5	
	4													4 x 0.7
	5	20	25	15	16	5 x 0.8	5 x 0.5	44	28	11	6.5	6.5		
	6												6 x 1.0	6 x 0.75
Fine AJFS AJFSM AJFSS	8	35	40	15	16	8 x 1.25	8 x 0.75	60	42	14	9	9	12	
	10													10 x 1.5
	12	40	50	20	22	12 x 1.75	12 x 1.0	20	22	57	9	15		
	16												16 x 2.0	16 x 1.5
20	20 x 2.5	20 x 1.5												

Ⓣ L dimension of AJFNS and AJFSS (Material: Stainless Steel) is shown in ().

Part Number Example: AJTN8 - H 25
AJFN5 - H 20

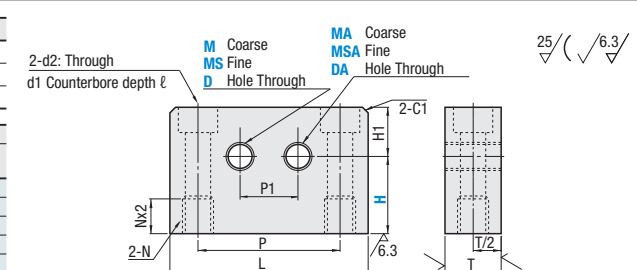
Threaded Stopper Blocks – Two-Hole Type



RoHS 10

Type	Material	Surface Treatment
AJWB	1018 Carbon Steel or Equivalent	Black Oxide
AJWM	1018 Carbon Steel or Equivalent	Electroless Nickel Plating
AJWS	304 Stainless Steel	—

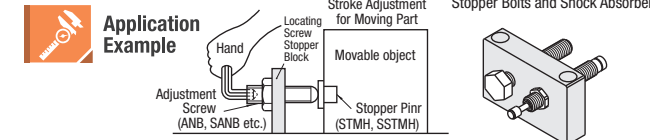
M x Pitch		M x Pitch	
Coarse Thread	Fine Thread	Coarse Thread	Fine Thread
3 x 0.5	3 x 0.35	10 x 1.5	10 x 1.0
4 x 0.7	4 x 0.5	12 x 1.75	12 x 1.0
5 x 0.8	5 x 0.5	—	14 x 1.5
6 x 1.0	6 x 0.75	16 x 2.0	16 x 1.5
8 x 1.25	8 x 0.75	20 x 2.5	20 x 1.5



Part Number	Type	No.	M, MS, D				MA, MSA, DA				H	H ₁	T	L	P	P ₁	d ₁	d ₂	ℓ	N					
			3	4	5	6	3	4	5	6															
AJWB	1	3	4	5	6	3	4	5	6	8	10	12	15	20	25	15	12	54	42	20	9.5	5.5	5.5	M6	
AJWM	2	8	10	12	(14)	8	10	12	16	20	20	25	30	20	25	30	20	16	74	60	28	11	6.5	6.5	M8
AJWS	3	16	20	—	—	16	20	—	—	—	16	20	20	25	30	40	20	22	86	70	34	14	9	9	M10

Ⓣ (14) is for MS (Fine Thread) only.

Part Number Example: AJWM2 - M8 - MSA12 - H30



Example of Combination Use of Stopper Bolts and Shock Absorbers